

Features

- Vitreous china
- Undercounter
- With or without overflow
- Includes 52047 clamp assembly, unless specified
- 15" (38.1 cm) x 12" (30.5 cm)
- 17" (43.2 cm) x 14" (35.6 cm)
- 19" (48.3 cm) x 15" (38.1 cm)

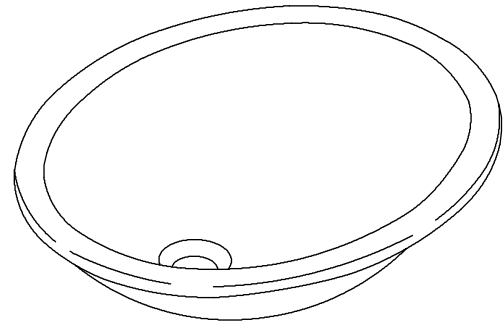
UNDERCOUNTER LAVATORY K-2209 K-2210, K-2211

ADA

Codes/Standards Applicable

Specified model meets or exceeds the following:

- ADA
- ASME A112.19.2
- ICC/ANSI A117.1
- IAPMO/UPC
- CSA B45



Colors/Finishes

- 0: White
- Other: Refer to Price Book for additional colors/finishes

Accessories:

- CP: Polished Chrome
- Other: Refer to Price Book for additional colors/finishes

Specified Model

Model	Description	Colors/Finishes	
K-2209	Lavatory, 15" (38.1 cm) x 12" (30.5 cm), with overflow, with clamps	<input type="checkbox"/> 0 White	<input type="checkbox"/> Other_____
K-2210	Lavatory, 17" (43.2 cm) x 14" (35.6 cm), with overflow, with clamps	<input type="checkbox"/> 0 White	<input type="checkbox"/> Other_____
K-2210-G	Lavatory, 17" (43.2 cm) x 14" (35.6 cm), with glazed underside, without overflow, with clamps	<input type="checkbox"/> 0 White	<input type="checkbox"/> Other_____
K-2210-L	Lavatory, 17" (43.2 cm) x 14" (35.6 cm), with overflow, without clamps	<input type="checkbox"/> 0 White	<input type="checkbox"/> Other_____
K-2210-N	Lavatory, 17" (43.2 cm) x 14" (35.6 cm), without overflow, with clamps	<input type="checkbox"/> 0 White	<input type="checkbox"/> Other_____
K-2211	Lavatory, 19" (48.3 cm) x 15" (38.1 cm), with overflow, with clamps	<input type="checkbox"/> 0 White	<input type="checkbox"/> Other_____
K-2211-G	Lavatory, 19" (48.3 cm) x 15" (38.1 cm), with glazed underside, without overflow, with clamps	<input type="checkbox"/> 0 White	<input type="checkbox"/> Other_____
K-2211-L	Lavatory, 19" (48.3 cm) x 15" (38.1 cm), with overflow, without clamps	<input type="checkbox"/> 0 White	<input type="checkbox"/> Other_____

Product Specification

The undercounter lavatory shall be 15" (38.1 cm) in length and 12" (30.5 cm) in width, 17" (43.2 cm) in length and 14" (35.6 cm) in width, or 19" (48.3 cm) in length and 15" (38.1 cm) in width. Lavatory shall be made of vitreous china. Lavatory shall be available with or without overflow. Lavatory shall include 52047 clamp assembly for all models except K-2210-L and K-2211-L. Lavatory shall be Kohler Model K-_____-_____.

Technical Information

Recommended Accessory			
K-8998	P-Trap	<input type="checkbox"/> CP	<input type="checkbox"/> Other_____

ADA compliant		
Fixture*:	Basin area	Water depth
K-2209	15" (38.1 cm) x 12" (30.5 cm)	4" (10.2 cm)
K-2210/ K-2210-L/ K-2210-N/ K-2210-G	17" (43.2 cm) x 14" (35.6 cm)	4" (10.2 cm)
K-2211/ K-2211-G/ K-2211-L	19" (48.3 cm) x 15" (38.1 cm)	4" (10.2 cm)
Drain hole	1-3/4" (4.4 cm) D.	
* Approximate measurements for comparison only.		

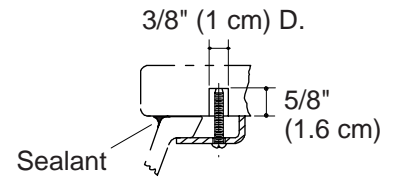
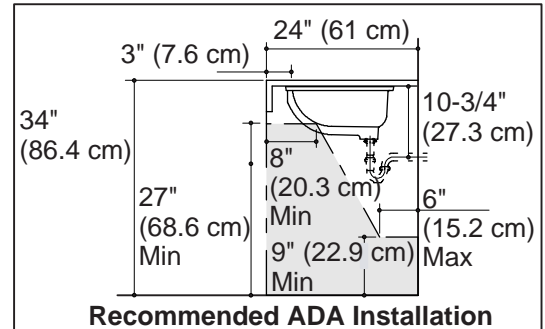
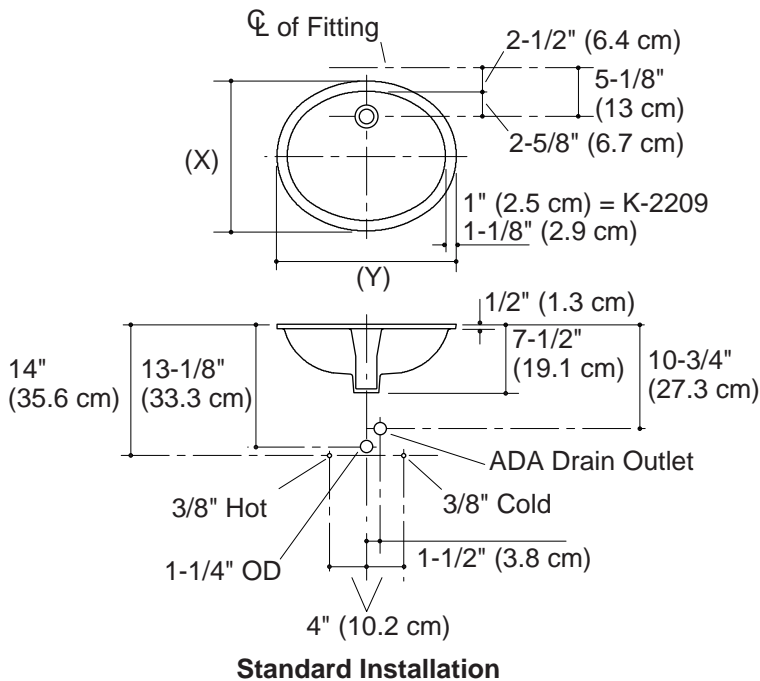
Included components:	
Basin clamp assembly (not included with K-2210-L and K-2211-L)	52047
Cut-out template, K-2209	85838-7
Cut-out template, K-2210	1002975-7
Cut-out template, K-2211	1018997-7

Installation Notes

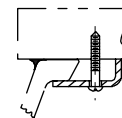
Install this product according to the installation guide.

Supplied basin clamp assemblies require 1" (2.5 cm) minimum countertop thickness. Installer must supply anchors for thinner countertops.

K-2209: (X) = 14" (35.6 cm), (Y) = 17" (43.2 cm)
 K-2210: (X) = 16-1/4" (41.3 cm), (Y) = 19-1/4" (48.9 cm)
 K-2211: (X) = 17-1/4" (43.8 cm), (Y) = 21-1/4" (54 cm)



Marble Installation



Wood Installation

Product Diagram