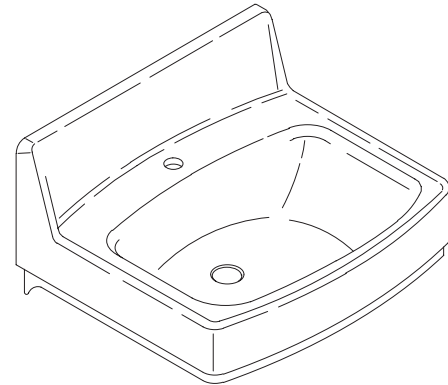


WALL-MOUNT LAVATORY

K-2031

ADA



FEATURES

- 20-3/4" (52.7cm) x 18-1/4" (46.4cm)
- Vitreous china
- Wall-mount
- Single-hole
- With overflow
- ADA compliant
- With hanger
- Drilled for concealed arm carrier
- Optional soap dispenser hole on left (-L) or right (-R)

CODES/STANDARDS APPLICABLE

Specified model meets or exceeds the following:

- ADA
- ASME/ANSI A112.19.2M
- CABO/ANSI A117.1
- IAPMO/UPC
- Canadian Standards Association (CSA)
- State of Massachusetts

COLORS/FINISHES

- 0 White
- Other Refer to Fixtures Price Book for additional colors

Accessories:

- CP Polished Chrome
- Other Refer to Faucets Price Book for additional finishes

SPECIFIED MODEL:

Model	Description	Colors/Finishes	
K-2031	Single-hole lavatory less soap dispenser hole	<input type="checkbox"/> 0 White	<input type="checkbox"/> Other_____
K-2031-L	Single-hole lavatory with soap dispenser hole on left	<input type="checkbox"/> 0 White	<input type="checkbox"/> Other_____
K-2031-R	Single-hole lavatory with soap dispenser hole on right	<input type="checkbox"/> 0 White	<input type="checkbox"/> Other_____
K-2031-N	Single hole lavatory less overflow	<input type="checkbox"/> 0 White	<input type="checkbox"/> Other_____
K-2031-NL	Single-hole lavatory with soap dispenser hole on left less overflow	<input type="checkbox"/> 0 White	<input type="checkbox"/> Other_____
K-2031-NR	Single-hole lavatory with soap dispenser hole on right less overflow	<input type="checkbox"/> 0 White	<input type="checkbox"/> Other_____

Recommended Accessories			
K-8998	Trap	<input type="checkbox"/> CP	<input type="checkbox"/> Other_____

PRODUCT SPECIFICATION:

The lavatory with back shall be 20-3/4" (52.7cm) in length, and 18-1/4" (46.4cm) in width. Lavatory shall be made of vitreous china. Lavatory shall be wall-mount with hanger. Lavatory shall have single-hole drilling. Lavatory shall have overflow. Lavatory shall be ADA compliant. Lavatory shall be drilled for concealed arm carrier. Lavatory shall have optional soap dispenser hole on left (-L) or right (-R). Lavatory shall be Kohler Model K-2031-_____-_____.

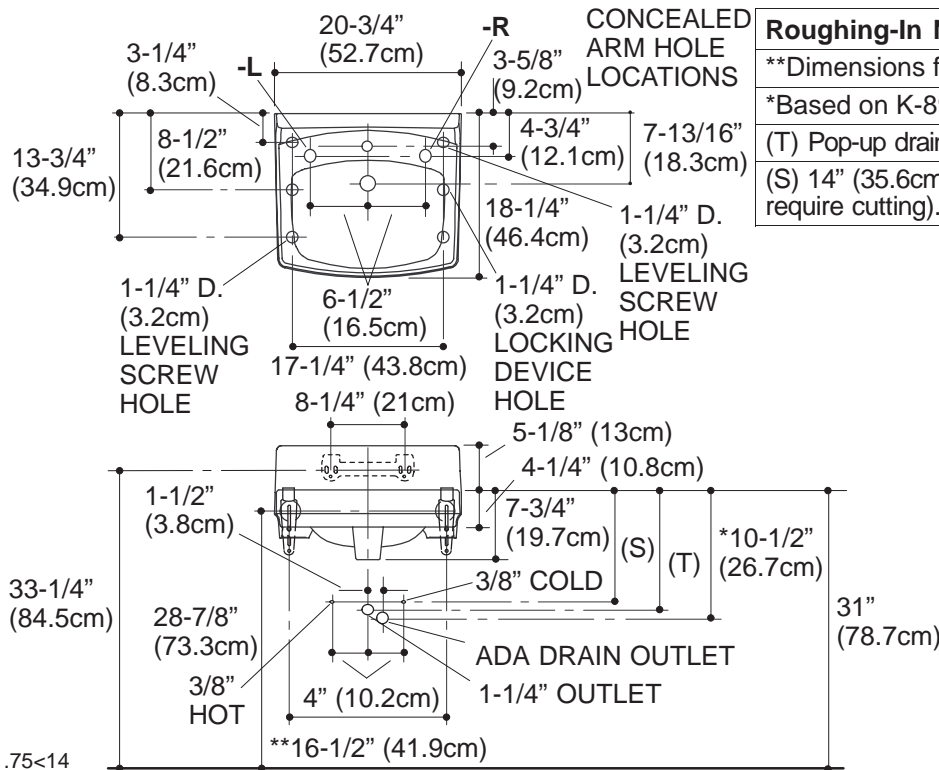
PRODUCT INFORMATION

ADA compliant.			
Fixture*:		basin area	water depth
Lavatory		15" (38.1cm) x 10" (25.4cm)	3-1/4" (8.3cm)
Outlet	1-3/4" D. (4.4cm)		
* Approximate measurements for comparison only.			
Spout hole		Soap dispenser hole	
1-3/8" D. (3.5cm)		1-1/4" D. (3.2cm)	
Included Components:			
Hanger			64839
Supplied hanger not used with concealed arm carrier.			

INSTALLATION NOTES

Refer to installation instructions included with fixture before beginning installation.

Concealed arm carrier required, **NOT** supplied by Kohler Co.



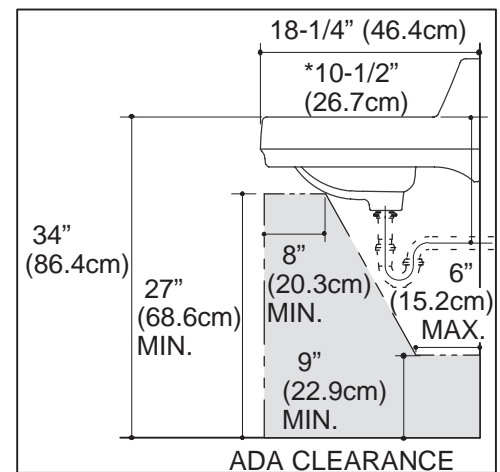
ROUGHING-IN NOTES

**Dimensions from centerline to centerline of brackets.

*Based on K-8998, with 1" (2.5cm) tailpiece exposed.

(T) Pop-up drain 13-3/8" (34cm), grid drain 12-1/2" (31.8cm).

(S) 14" (35.6cm) (Based on 12" (30.5cm) riser which may require cutting).



PRODUCT DIAGRAM