

Features

- Vitreous china
- Wall-mount
- With hanger
- With overflow
- Drilled for concealed arm carrier
- Optional soap dispenser hole on left (-L) or right (-R)
- 8" (20.3 cm) centers, 4" (10.2 cm), centers or single hole
- 21-1/4" (54 cm) x 18-1/8" (46 cm)

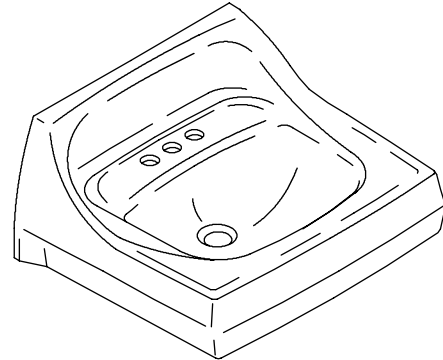
WALL-MOUNT LAVATORY K-2005

ALSO K-2006, K-2007

ADA

CSA B651

OBC



Codes/Standards Applicable

Specified model meets or exceeds the following:

- ADA
- ICC/ANSI A117.1
- CSA B651
- OBC
- ASME A112.19.2/CSA B45.1

Colors/Finishes

- 0: White
- Other: Refer to Price Book for additional colors/finishes

Accessories

- CP: Polished Chrome
- Other: Refer to Price Book for additional colors/finishes

Specified Model

Model	Description	Colors/Finishes	
K-2005	Lavatory with 4" (10.2 cm) centers less soap dispenser hole	<input type="checkbox"/> 0	<input type="checkbox"/> Other_____
K-2005-L	Lavatory with 4" (10.2 cm) centers with soap dispenser hole on left	<input type="checkbox"/> 0	<input type="checkbox"/> Other_____
K-2005-R	Lavatory with 4" (10.2 cm) centers with soap dispenser hole on right	<input type="checkbox"/> 0	<input type="checkbox"/> Other_____
K-2006	Lavatory with 8" (20.3 cm) centers less soap dispenser hole	<input type="checkbox"/> 0	<input type="checkbox"/> Other_____
K-2007	Lavatory with single hole less soap dispenser hole	<input type="checkbox"/> 0	<input type="checkbox"/> Other_____
K-2007-L	Lavatory with single hole with soap dispenser hole on left	<input type="checkbox"/> 0	<input type="checkbox"/> Other_____
K-2007-R	Lavatory with single hole with soap dispenser hole on right	<input type="checkbox"/> 0	<input type="checkbox"/> Other_____

Recommended Accessories

K-8998	P-Trap	<input type="checkbox"/> CP	<input type="checkbox"/> Other_____
--------	--------	-----------------------------	-------------------------------------

Product Specification

Lavatory shall be made of vitreous china. The lavatory shall be 21-1/4" (54 cm) in length and 18-1/8" (46 cm) in width. Lavatory shall be wall-mounted with hangers. Lavatory shall have 8" (20.3 cm) centers (K-2006), 4" (10.2 cm) centers (K-2005), or single hole (K-2007). Lavatory shall have overflow. Lavatory shall be drilled for concealed arm carrier. Lavatory shall have optional soap dispenser hole left (-L) or right (-R). Lavatory shall be Kohler Model K-_____-_____-_____.

Technical Information

Fixture*:	
Basin area	16" (40.6 cm) x 10" (25.4 cm)
Water depth	3-1/8" (7.9 cm)
Drain hole	1-3/4" (4.4 cm) D.
* Approximate measurements for comparison only.	

Holes	K-2005	K-2006	K-2007
Spout	1-1/4" (3.2 cm) D.	1-3/8" (3.5 cm) D.	1-3/8" (3.5 cm) D.
Faucet	1-1/4" (3.2 cm) D.	1-3/8" (3.5 cm) D.	
Soap dispenser	1-1/4" (3.2 cm) D.		1-1/4" (3.2 cm) D.

Included components:	
Hanger	64839

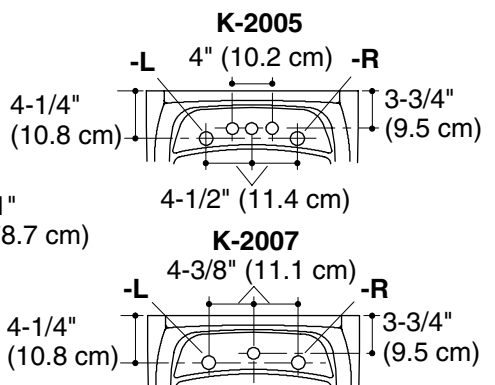
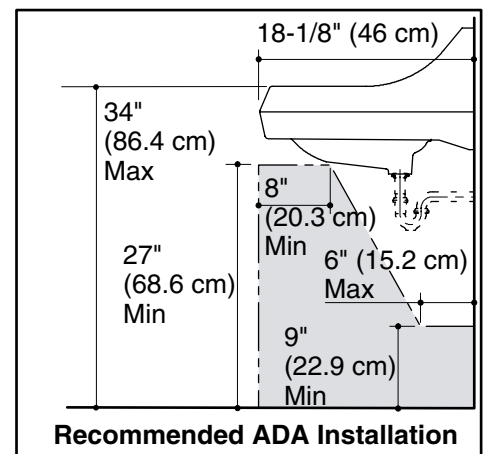
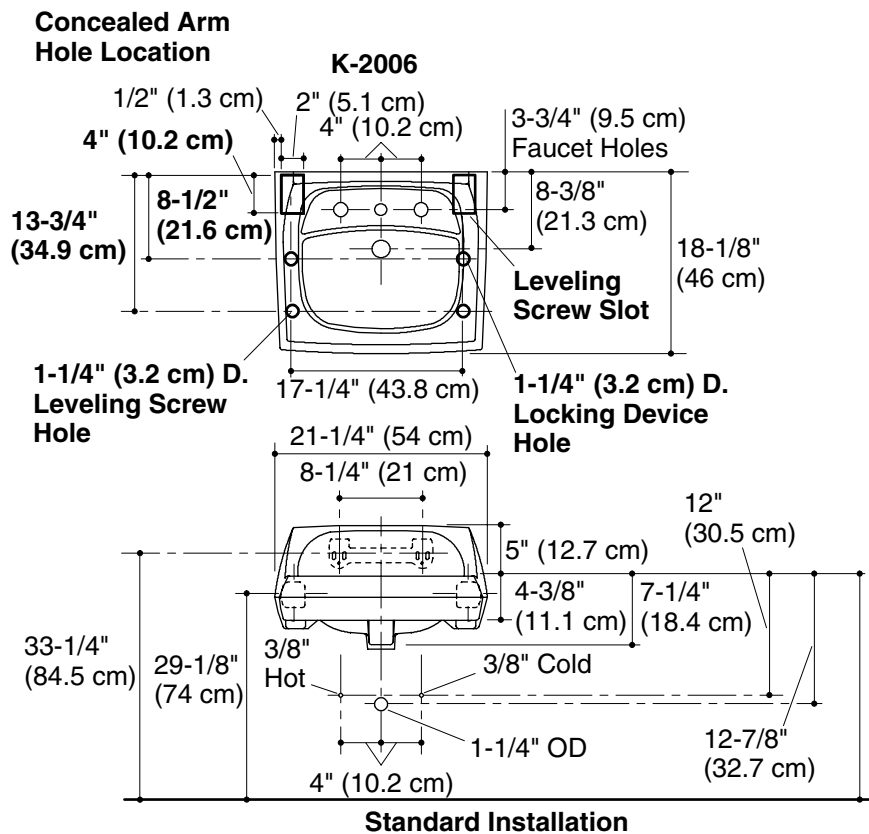
Installation Notes

Install this product according to the installation guide.

Will comply with **ADA** when installed per Section 606 Lavatories of the Act.

Will comply with **CSA B651** when installed per Clause 4.3.3 of the standard.

Will comply with **OBC** when installed per Clause 3.8.3.11.



Product Diagram