

### Features

- Metal construction.
- Quarter-turn washerless ceramic disc valves.
- 4" (102 mm) gooseneck spout reach.
- Stationary gooseneck spout.
- For 4" (102 mm) centers.
- ADA compliant lever handles.
- Lower flow aerator options are available (refer to the Kohler Price Book).
- Less drain.
- 1.8 gal/min (6.8 l/min) maximum flow rate [max at 60 psi (4.14 bar)].



ADA

### Codes/Standards

ASME A112.18.1/CSA B125.1

NSF 61

NSF 372

All applicable US Federal and State material regulations

DOE - Energy Policy Act 1992

ADA

ICC/ANSI A117.1

### KOHLER® One-Year Limited Warranty

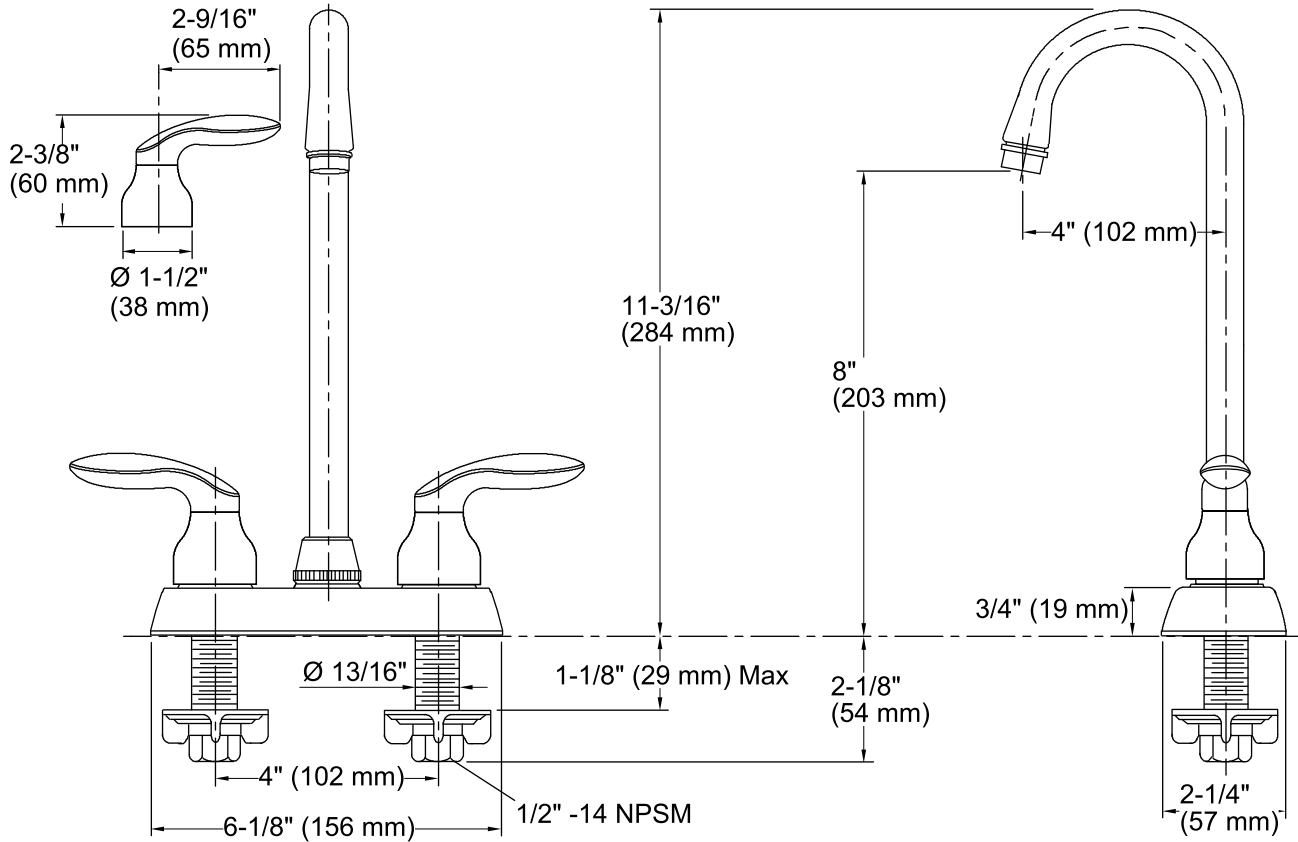
See website for detailed warranty information.

### Available Color/Finishes

*Color tiles intended for reference only.*

Color	Code	Description
-------	------	-------------

	CP	Polished Chrome
--	----	-----------------



### Technical Information

All product dimensions are nominal.

#### Spout:

Spout reach: 4" (102 mm)  
Handle clearance: 2-9/16" (65 mm)

#### Faucet:

Flow rate: 1.8 gal/min (6.8 l/min)  
Pressure: 60 psi (4.1 bar)

### Notes

Install this product according to the installation guide.

ADA compliant when installed to the specific requirements of these regulations.