

**BIDET FAUCET  
K-412-4**

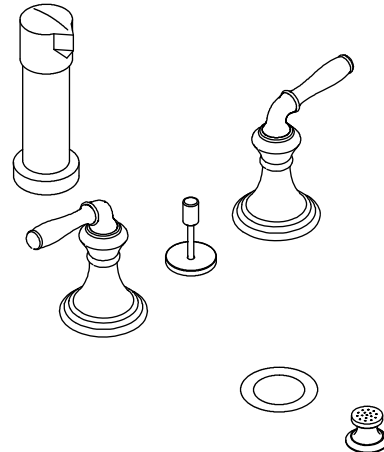
**Features**

- Brass construction
- Flexible connections for easy installation
- Brass valve bodies
- Quarter-turn washerless ceramic disc valves
- Pop-up drain with lift rod and tailpiece
- Vertical spray
- Fixture-mount transfer valve/vacuum breaker

**Codes/Standards Applicable**

Specified model meets or exceeds the following:

- ASME A112.18.1/CSA B125.1
- ASSE 1001



**Colors/Finishes**

- CP: Polished Chrome
- PB: Vibrant® Polished Brass
- Other: Refer to Price Book for additional colors/finishes

**Specified Model**

Model	Description	Colors/Finishes		
		<input type="checkbox"/> CP	<input type="checkbox"/> PB	<input type="checkbox"/> Other ____
K-412-4	Bidet faucet			

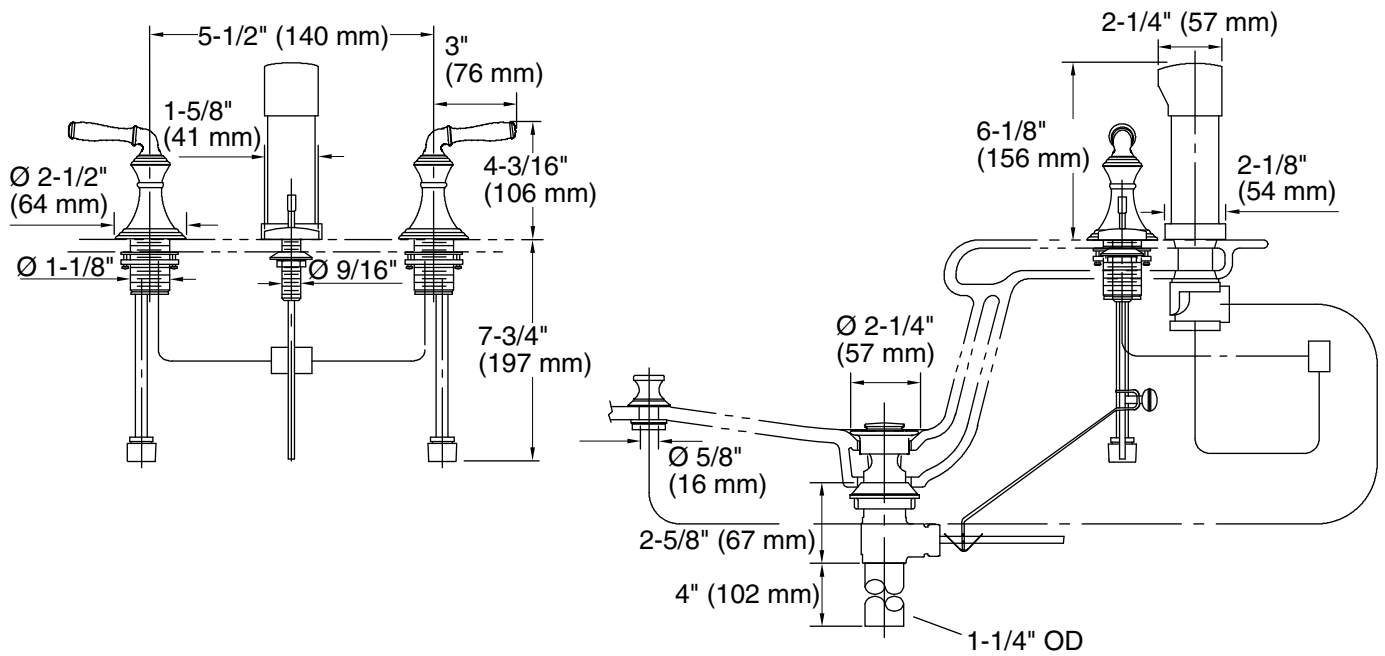
**Product Specification**

Two-handle bidet faucet shall be of brass construction. Faucet shall feature brass valve bodies. Faucet shall feature quarter-turn washerless ceramic disc valves. Product shall include flexible connections, pop-up drain and tailpiece, handles, vertical spray, and fixture-mount transfer valve/vacuum breaker. Faucet shall be Kohler Model K-412-4-\_\_\_\_\_.

# DEVONSHIRE®

## Installation Notes

Install this product according to the installation guide.



## Product Diagram