

KOHLER® Roughing-In

**K-3949
HIGHLINE®
CLASS FIVE® TOILET**

Product Information

Applicable product:	
Left-hand trip lever	K-3949
Right-hand trip lever	K-3949-RA
Right-hand trip lever with Insuliner® and tank cover locks	K-3949-RZ
Left-hand trip lever with tank cover locks	K-3949-T
Right-hand trip lever with tank cover locks	K-3949-TR
Left-hand trip lever with Insuliner	K-3949-U
Right-hand trip lever with Insuliner	K-3949-UR
Left-hand trip lever with Insuliner and tank cover locks	K-3949-UT

Fixture:	
Configuration	two-piece, elongated
Water per flush	1.28 gpf (4.8 lpf)
Passageway	2-1/8" (5.4 cm)
Water area	11-3/8" (28.9 cm) x 8" (20.3 cm)
Water depth from rim	5-3/8" (13.7 cm)
Seat post hole centers	5-1/2" (14 cm)

Included components:	
Bowl	K-4199
Tank	K-4841
Tank cover	1145223
Trip lever	K-9379
Tank accessory pack	1016548
Bolt cap accessory pack	1013092

Installation Notes

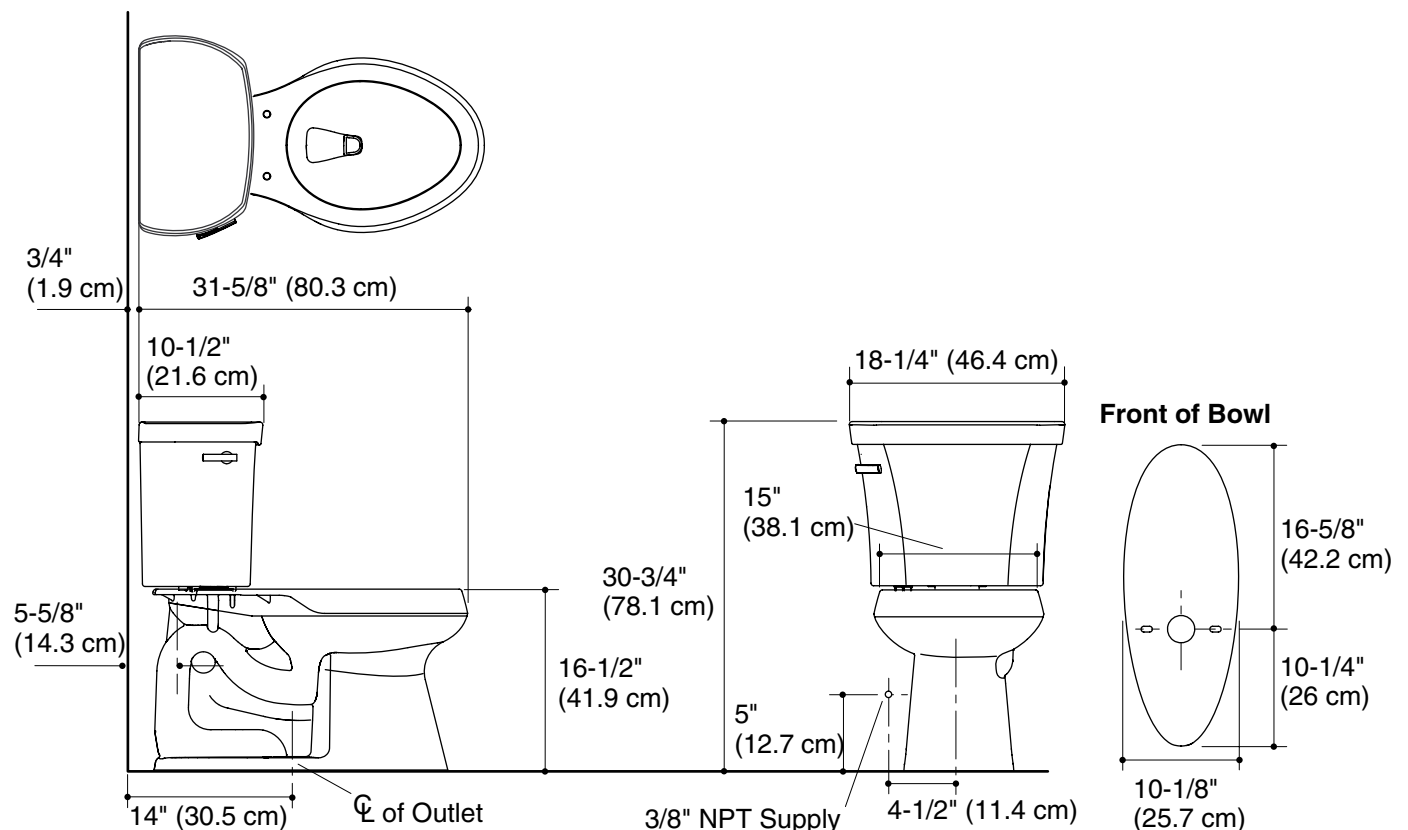
Install this product according to the installation guide.

Will comply with the American Disabilities Act (**ADA**) when installed per the requirements of the Accessibility Guidelines, Section 604 Water Closets, of the Act, which include the installation of an open front seat.

Will comply with **CSA B651** when installed per Clause 4.3.6 of the standard.

Will comply with **OBC** when installed per Clause 3.8.3.8 and 3.8.3.9.

Fixture conforms to ASME Standard A112.19.2/CSA B45.1. All dimensions are nominal.



HIGHLINE® CLASS FIVE® TOILET
1151919-1-C

KOHLER®