



Vault™

Top-mount Apron Front Kitchen Sink
K-3942-1

Features

- 36-inch minimum base cabinet width.
- 18-gauge stainless steel.
- Top-mount.
- Large single bowl.
- Single faucet hole.
- With integral shortened self-trimming apron.
- With SilentShield® sound-absorption technology.
- 35-3/4" (908 mm) x 24-5/16" (618 mm)

Optional Accessories

- K-6429 Utility Rack
- K-6474 Sink Rack
- K-8801 Sink Strainer

Components

Product includes:

- 1130570 Hardware Kit, Self-Rimming
- 1173293 Hardware Kit, Side Clip

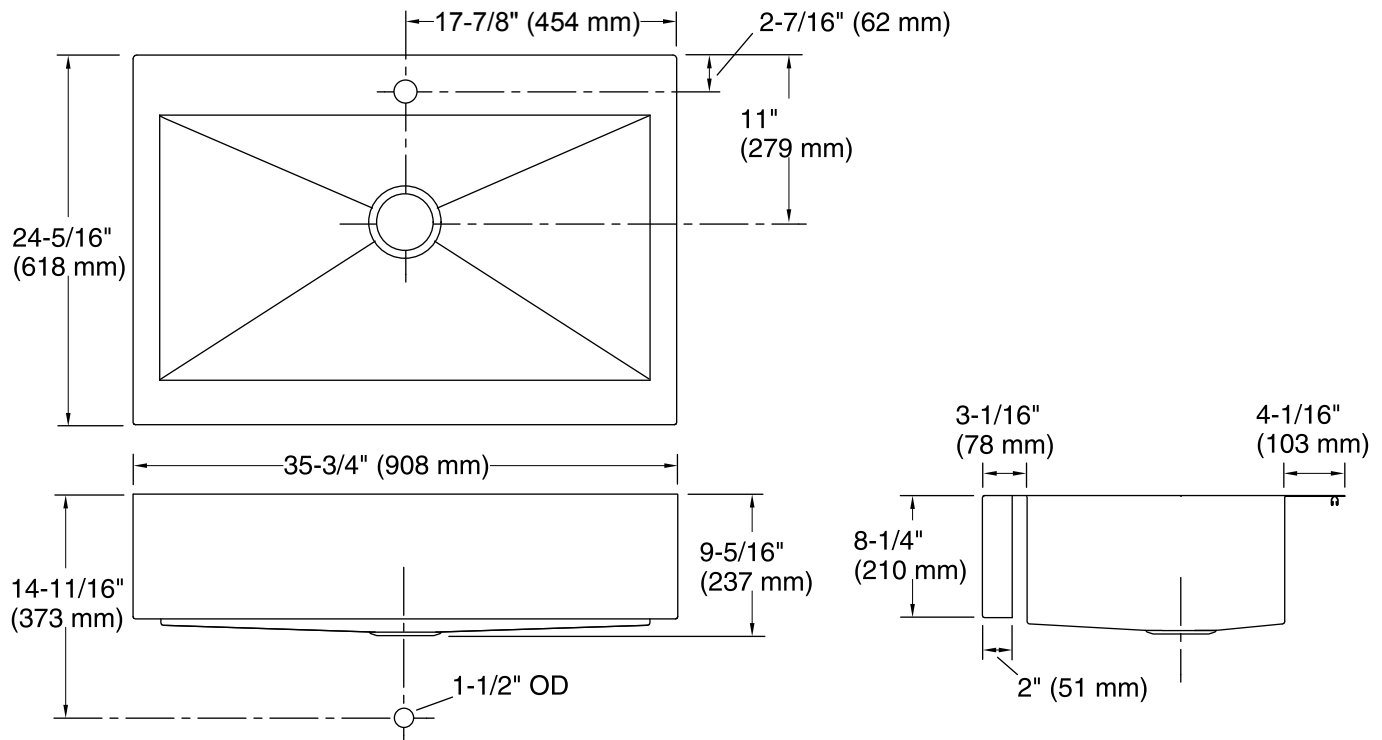


Codes/Standards

ASME A112.19.3/CSA B45.4

Lifetime Limited Warranty for KOHLER® Stainless Steel Sinks

See website for detailed warranty information.



Technical Information

All product dimensions are nominal.

| | |
|--------------------------|---|
| Bowl configuration: | Single |
| Installation: | Top-mount |
| Min. base cabinet width: | 36" (914 mm) |
| Bowl area (Only) | Length: 32-1/2" (826 mm) Width: 17-3/16" (437 mm) Bowl depth: 9" (229 mm) |
| Number of deck holes: | 1 |
| Faucet hole(s): | 1-7/16" (37 mm) |
| Drain hole: | 3-5/8" (92 mm) |
| Template: | 1166717-7, required, included 1178341, required, included |

Notes

Install this product according to the installation instructions.