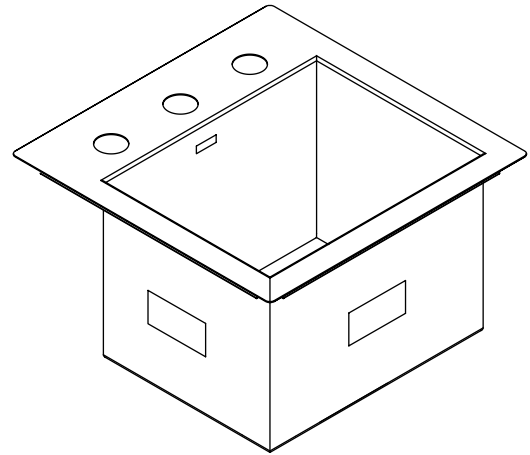


Features

- 18-gauge stainless steel
- Self-rimming or undercounter
- Includes bottom basin rack
- Includes installation hardware
- 15" (38.1 cm) x 15" (38.1 cm)

SELF-RIMMING/UNDERCOUNTER ENTERTAINMENT SINK K-3840



Codes/Standards Applicable

Specified model meets or exceeds the following:

- ASME A112.19.3/CSA B45.4

Colors/Finishes

- NA: None applicable

Accessories

- CP: Polished Chrome
- ST: Stainless Steel
- NA: None applicable
- Other: Refer to Price Book for additional colors/finishes

Specified Model

Model	Description	Colors/Finishes		
K-3840-1	Self-rimming/Undercounter entertainment sink – single-hole	<input type="checkbox"/> NA		
K-3840-2	Self-rimming/Undercounter entertainment sink – 2-hole	<input type="checkbox"/> NA		
K-3840-3	Self-rimming/Undercounter entertainment sink – 3-hole	<input type="checkbox"/> NA		
Included Accessories				
K-2993	Bottom basin rack	<input type="checkbox"/> ST		
Optional Accessories				
K-8801	Duostrainer® sink strainer	<input type="checkbox"/> CP		<input type="checkbox"/> Other _____
1131881	Hardware kit for countertops with a 2-1/2" (6.4 cm) thickness or less		<input type="checkbox"/> NA	

Product Specification

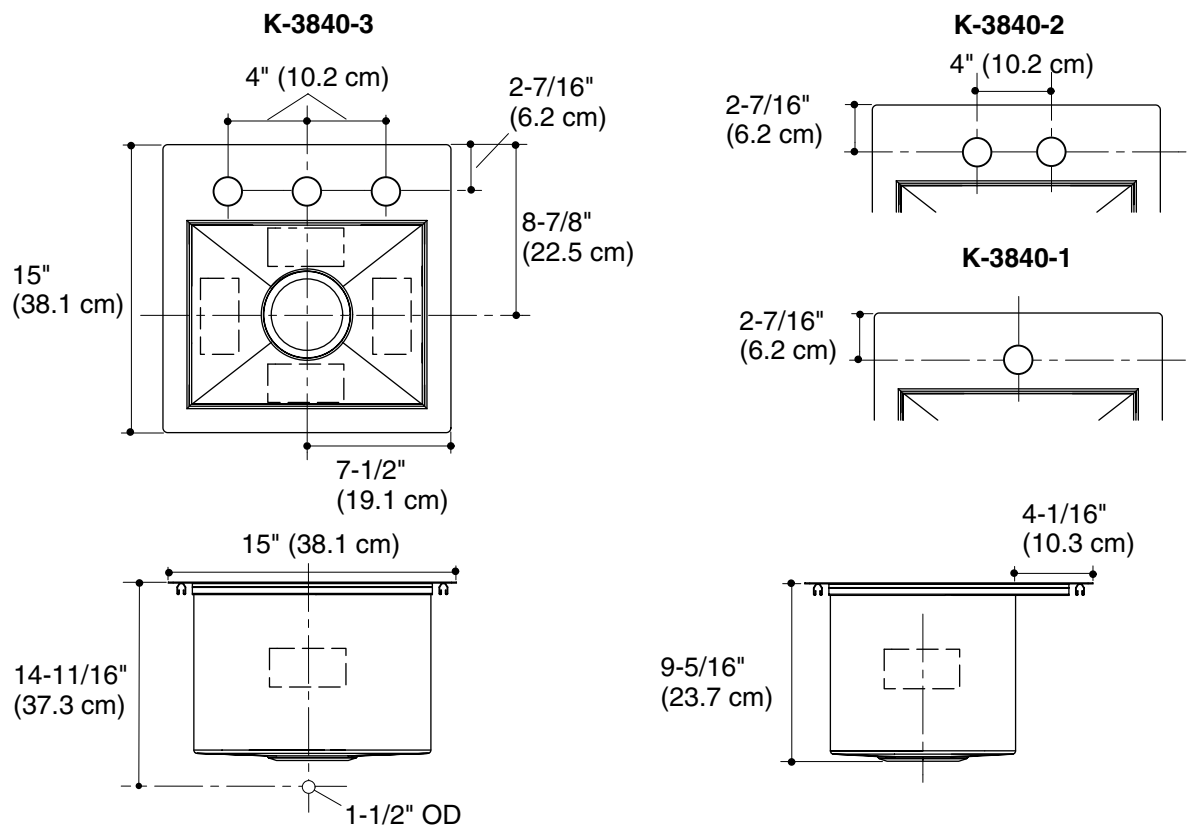
The undercounter or self-rimming sink shall be made of 18-gauge stainless steel. Sink shall include bottom basin rack and installation hardware. Sink shall be 15" (38.1 cm) in length, 15" (38.1 cm) in width. Sink shall be Kohler Model K-3840-_____-NA.

Technical Information

Fixture*:	
Basin area	12-1/4" (31.1 cm) x 9-9/16" (24.3 cm)
Water depth	9" (22.9 cm)
Drain hole	3-5/8" (9.2 cm) D.
* Approximate measurements for comparison only.	
Included components:	
Hardware kit – self-rimming	1130570
Cut-out template	1161548

Installation Notes

Install this product according to the installation guide.



Product Diagram