

Features

- 36-inch minimum base cabinet width.
- 16-gauge stainless steel.
- Under-mount.
- Single compartment with wet surface work area.
- Includes wood cutting board, bowls, and serving tray/cutting board.
- Includes utensil tray/cutting board, bottom bowl rack, and accessory rack.
- Includes installation hardware.
- Includes SilentShield® sound-absorption technology.
- 33" (838 mm) x 18-1/2" (470 mm)

Optional Accessories

- K-8801 Sink Strainer

Components

Product includes:

- K-6230 Utensil Tray
- K-6231 Flip Tray
- K-6232 Cutting Board
- K-6234 Sink Rack
- K-6235 Prep Bowls
- K-6236 Accessory Storage Rack
- 91915 Hardware Kit

Additional included component/s: Cut-out Template.

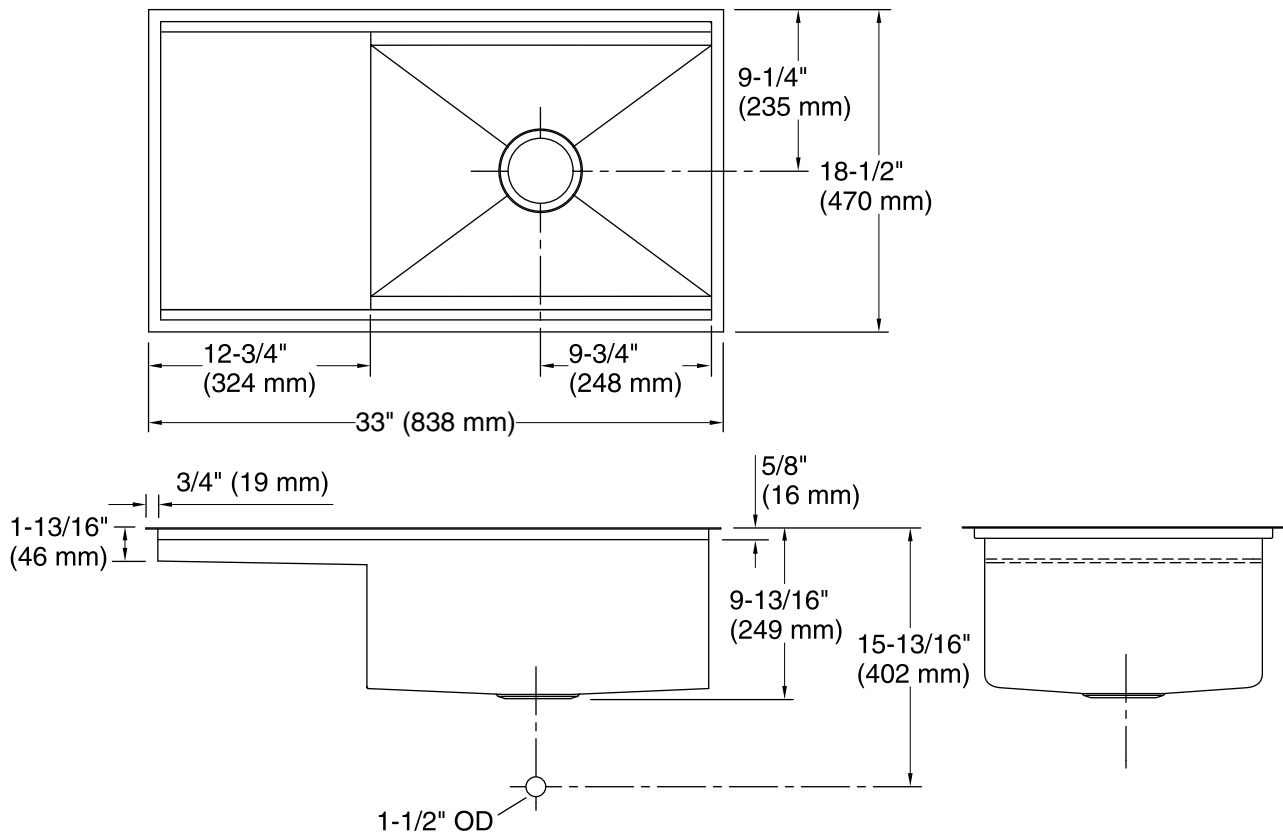


Codes/Standards

ASME A112.19.3/CSA B45.4

Lifetime Limited Warranty for KOHLER® Stainless Steel Sinks

See website for detailed warranty information.



Technical Information

All product dimensions are nominal.

Bowl configuration:	Offset
Installation:	Under-mount
Min. base cabinet width:	36" (914 mm)
Bowl area	Length: 31-1/2" (800 mm) Width: 17" (432 mm) Bowl depth: 9-1/2" (241 mm) Water depth: 9-1/2" (241 mm)
Drain hole:	3-5/8" (92 mm)
Template:	1109793-7, required, included

Notes

Install this product according to the installation instructions.