

### Features

- Vitreous china.
- Elongated bowl.
- Equipped with Sloan FLUSHMATE®– Sloan® Valve Company.
- Polished chrome trip lever.
- Less seat and supply.
- 12" (305 mm) rough-in.
- 1.6 gpf (6.0 lpf).
- 2-1/4" (57 mm) glazed trapway.
- 12" (305 mm) x 10" (254 mm) water area.
- 30-1/8" (765 mm) x 21-1/4" (540 mm) x 31-1/4" (794 mm).

### Optional Accessories

- K-4650 Toilet Seat
- K-7637 Angle Supply with Stop (single)

### Components

- Product includes:
- K-4304 Toilet Bowl
  - K-4645-RA Toilet Tank
- Additional included component/s: Tank cover, Trip lever, Tank accessory pack, Bolt cap accessory pack, and Equipped with Sloan FLUSHMATE® – Sloan® Valve Company.



ADA CSA B651 OBC

### Codes/Standards





- ASME A112.19.2/CSA B45.1
- DOE - Energy Policy Act 1992
- ADA
- ICC/ANSI A117.1
- CSA B651
- OBC

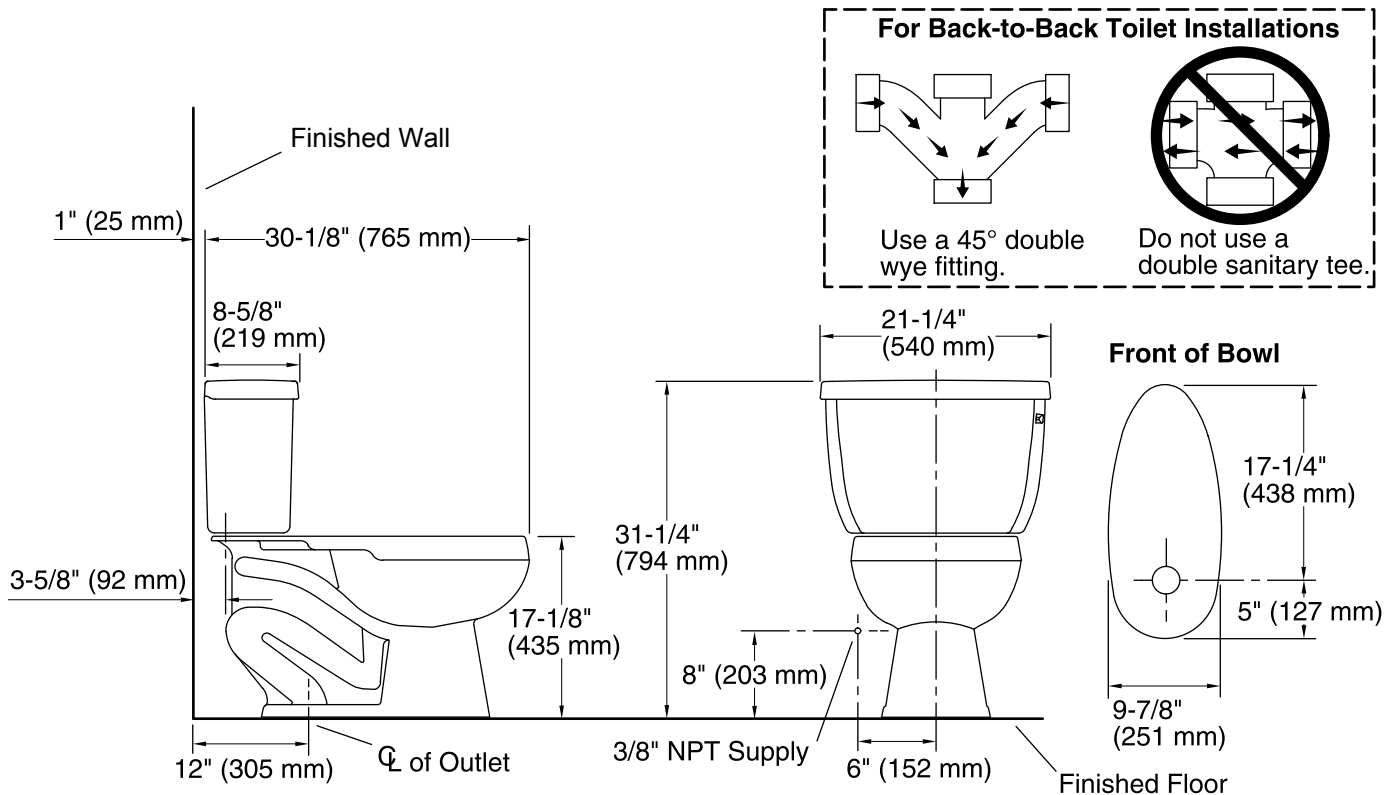
### KOHLER® One-Year Limited Warranty

See website for detailed warranty information.

### Available Color/Finishes

*Color tiles intended for reference only.*

| Color  | Code | Description  |
|--|------|--------------|
|  | 0    | White        |
|  | 96   | Biscuit      |
|  | 47   | Almond       |
|  | 7    | Black Black™ |



### Technical Information

All product dimensions are nominal.

|                       |                             |
|-----------------------|-----------------------------|
| Toilet type:          | Two-piece, Floor-mount      |
| Waste Outlet:         | Floor                       |
| Bowl shape:           | Elongated front             |
| Flush type:           | Pressure Assisted           |
| Trap passageway:      | 2-1/4" (57 mm)              |
| Water Consumption     |                             |
| Full:                 | 1.6 gpf (6 lpf)             |
| Water surface size:   | 12" x 10" (305 mm x 254 mm) |
| Rim to water surface: | 5-3/4" (146 mm)             |
| Rough-in:             | 12" (305 mm)                |
| Seat-mounting holes:  | 5-1/2" (140 mm)             |

### Fixture Supply Requirements

|                      |                    |
|----------------------|--------------------|
| Min static pressure: | 20 psi (137.9 kPa) |
| Max static pressure: | 80 psi (551.6 kPa) |

### Notes

Install this product according to the installation instructions.

For back-to-back toilet installations: Use only a 45° double wye fitting.

ADA, OBC, CSA B651 compliant when installed to the specific requirements of these regulations.

Plumbing Codes require elongated toilets and elongated, open-front toilet seats in public bathrooms.

Accessibility standards require controls to be located on the open side of the toilet.