

COUNTERTOP KITCHEN SINK K-3375

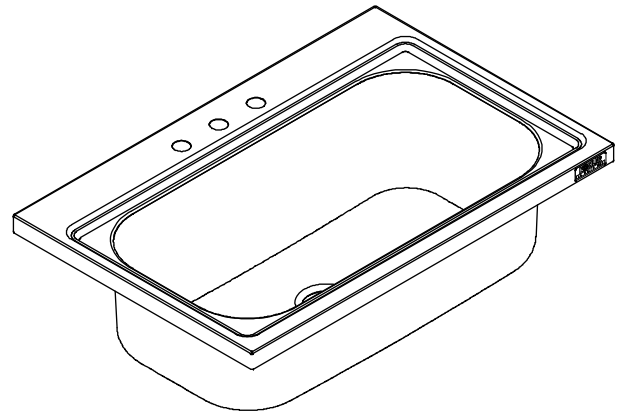
Features

- 18-gauge stainless steel
- Flush-mount
- Single compartment
- 3-hole
- Includes installation hardware
- 39" (991 mm) x 25-3/4" (654 mm)

Codes/Standards Applicable

Specified model meets or exceeds the following:

- ASME A112.19.3/CSA B45.4



Colors/Finishes

- NA: None applicable

Accessories

- CP: Polished Chrome
- ST: Stainless Steel
- NA: None applicable
- Other: Refer to Price Book for additional colors/finishes

Specified Model

Model	Description	Colors/Finishes
K-3375-3	Countertop kitchen sink, 3-hole	<input type="checkbox"/> NA

Recommended Accessories

K-6330	ProMaster™ faucet	<input type="checkbox"/> CP
K-8801	Duostrainer® sink strainer	<input type="checkbox"/> CP <input type="checkbox"/> Other _____
K-8813	Stainless steel sink strainer	<input type="checkbox"/> CP
K-8814	Stainless steel sink strainer	<input type="checkbox"/> CP
K-9000	P-Trap (2 traps recommended)	<input type="checkbox"/> CP

Optional Accessories

K-2989	Countertop cutting board	<input type="checkbox"/> NA
K-3138	Hardwood cutting board	<input type="checkbox"/> NA
K-3139	Folding wire rack	<input type="checkbox"/> ST
K-3144	Wire mesh colander	<input type="checkbox"/> ST

Product Specification

The flush-mount countertop kitchen sink shall be made of 18-gauge stainless steel. Sink shall be 39" (991 mm) in length and 25-3/4" (654 mm) in width. Sink shall be single compartment. Sink shall feature 3 faucet holes. Sink shall include installation hardware. Sink shall be Kohler Model K-3375-3.

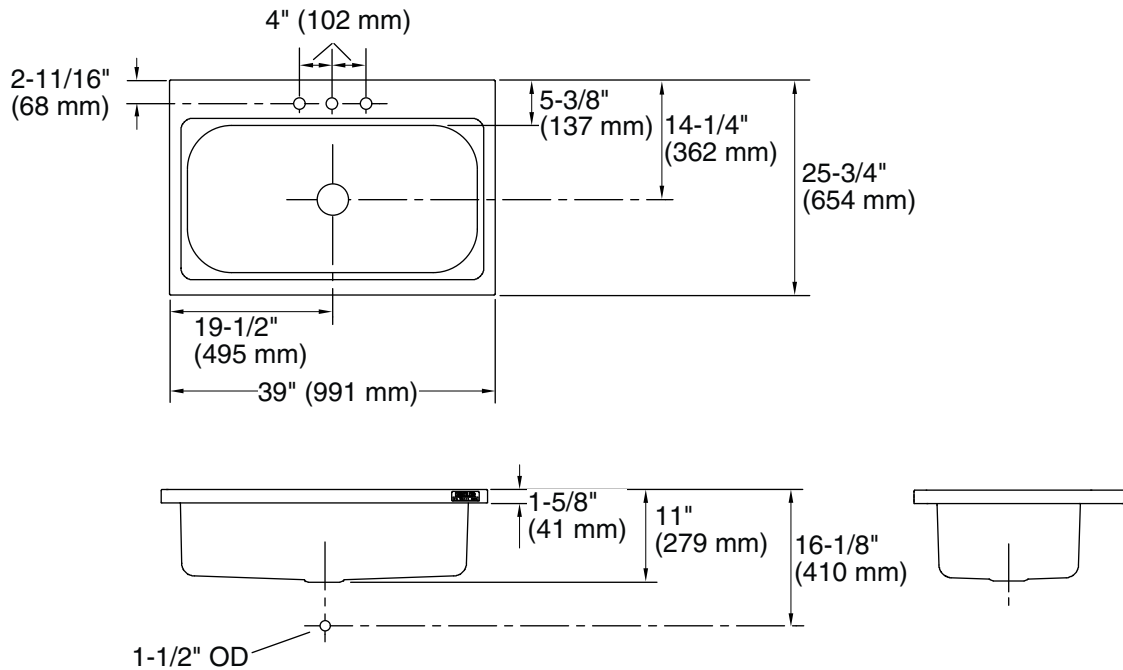
PRO TASKSINK™

Technical Information

Fixture*:	
Bowl area	34-7/8" (886 mm) x 17-3/8" (441 mm)
Water depth	10-3/4" (273 mm)
Drain hole	Ø 3-5/8" (92 mm)
Faucet holes	Ø 1-3/8" (35 mm)
*Approximate measurements for comparison only.	
Included components:	
Installation hardware	87357

Installation Notes

Install this product according to the installation guide.



Product Diagram