

UNDER-MOUNT KITCHEN SINK K-3197

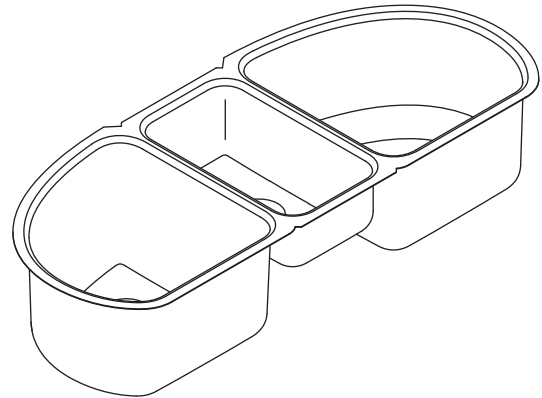
Features

- 18-gauge stainless steel
- Under-mount
- Includes installation hardware
- Triple compartment with two equal bowls and a center disposal bowl
- 9-1/2" (241 mm) deep right and left bowls, and 5-1/2" (140 mm) deep center disposal bowl
- 42-7/16" (1078 mm) x 15-3/4" (400 mm)

Codes/Standards Applicable

Specified model meets or exceeds the following:

- ASME A112.19.3/CSA B45.4



Colors/Finishes

- NA: None applicable

Accessories

- CP: Polished Chrome
- Other: Refer to Price Book for additional colors/finishes

Specified Model

Model	Description	Colors/Finishes
K-3197	Under-mount kitchen sink	<input type="checkbox"/> NA
Optional Accessories		
K-8801	Duostrainer® sink strainer	<input type="checkbox"/> CP <input type="checkbox"/> Other_____

Product Specification

The under-mount kitchen sink shall be made of 18-gauge stainless steel. Sink shall be 42-7/16" (1078 mm) in length and 15-3/4" (400 mm) in width. Sink shall be triple compartment with two equal bowls and one center disposal bowl. Sink shall be have 9-1/2" (241 mm) deep right and left bowls, and a 5-1/2" (140 mm) deep center disposal bowl. Sink shall include installation hardware. Sink shall be Kohler Model K-3197-NA.

UNDERTONE®

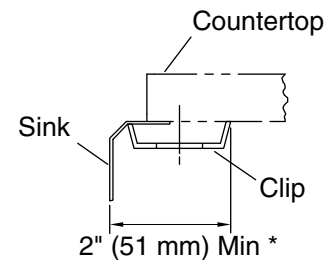
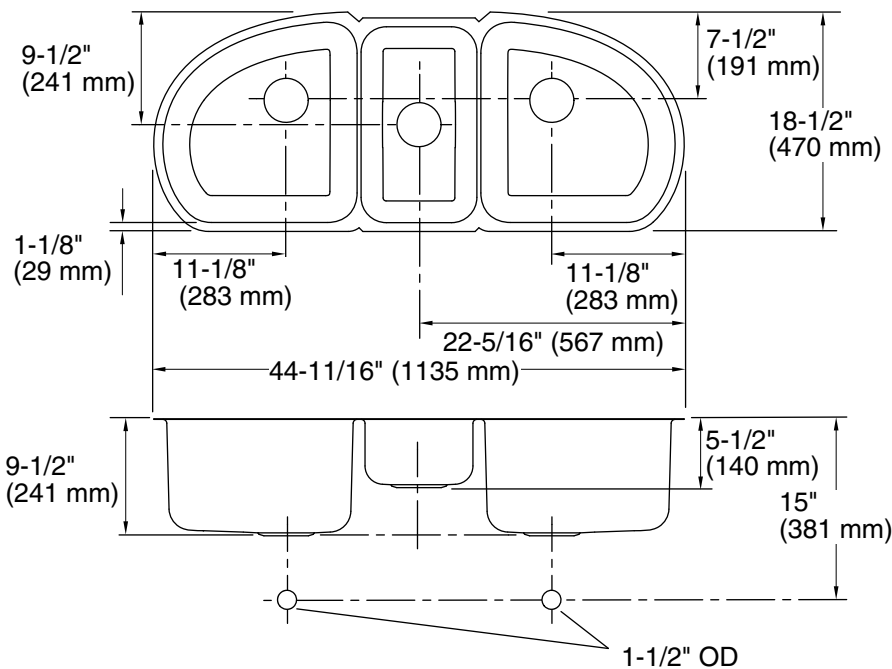
Technical Information

Fixture:*	Bowl area	Water depth
Sink, left	16-1/8" (410 mm) x 15-5/8" (397 mm)	9-1/2" (241 mm)
Disposal	9" (229 mm) x 15-3/4" (400 mm)	5-1/2" (140 mm)
Sink, right	16-1/8" (410 mm) x 15-5/8" (397 mm)	9-1/2" (241 mm)
Drain holes	Ø 3-5/8" (92 mm)	
* Approximate measurements for comparison only.		

Included components:	
Hardware kit (4 required)	91915
Cut-out template	1040327-7

Installation Notes

Install this product according to the installation guide.



* Allow clearance around sink rim for clip attachment.



Product Diagram