



Undertone®
Under-mount Kitchen Sink
K-3332

Features

- 27-inch minimum base cabinet width.
- Single bowl.
- 7-1/2-inch depth.
- No faucet holes.
- SilentShield® sound-absorption technology offers quieter performance.
- Rear drain increases workspace in the sink and storage space underneath.
- Includes installation hardware.

Material

- 18-gauge stainless steel.

Installation

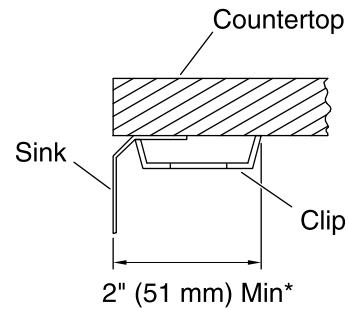
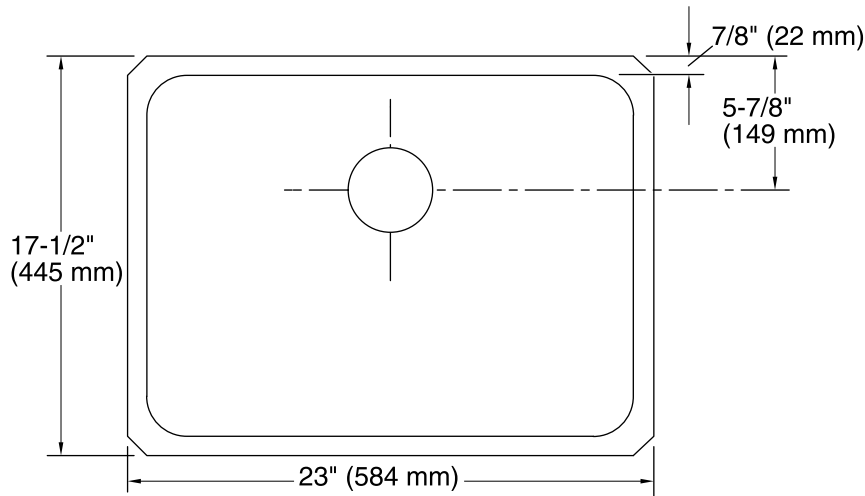
- Under-mount



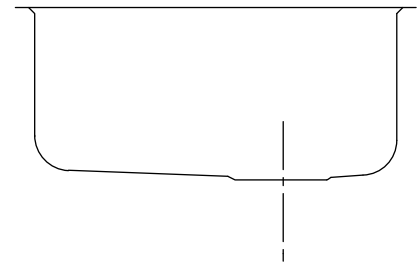
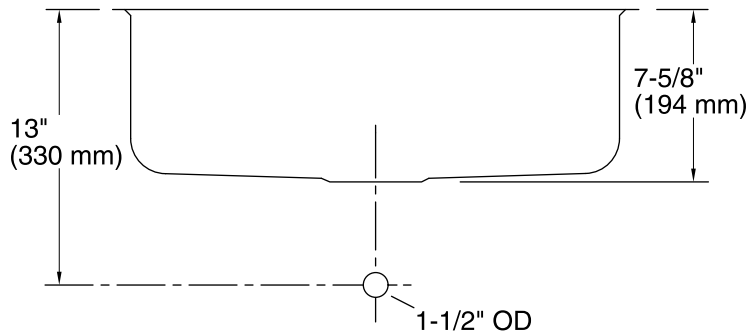
Codes/Standards

ASME A112.19.3/CSA B45.4

See website for detailed warranty information.



* Allow clearance around sink rim for clip attachment.



Technical Information

All product dimensions are nominal.

Installation:	Under-mount, Under-mount
Bowl area (Center)	Length: 21-1/4" (540 mm) Width: 15-3/4" (400 mm) Bowl depth: 7-1/2" (191 mm) Water depth: 7-1/2" (191 mm)
Drain hole:	3-3/4" (94 mm)
Template:	113193-7, required, included

Notes

Install this product according to the installation instructions.