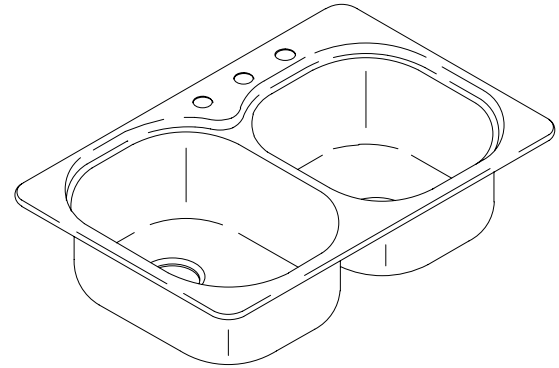


SELF-RIMMING KITCHEN SINK

K-3224

FEATURES

- 33" x 22"
- 18 gauge stainless steel
- Self-rimming
- Double (large/medium) compartment
- 3-hole (K-3224-3), 4-hole (K-3224-4), or 2-hole (K-3224-2) faucet drilling
- Includes installation hardware



CODES/STANDARDS APPLICABLE

Specified model meets or exceeds the following:

- IAPMO/UPC
- Canadian Standards Association (CSA)
- State of Massachusetts

COLORS/FINISHES

- NA None Applicable

Accessories:

- CP Polished Chrome
- 0 White
- NA None Applicable
- Other Refer to Price Book for additional colors

SPECIFIED MODEL:

Model	Description	Colors/Finishes
K-3224-3	3-hole sink	<input type="checkbox"/> NA
K-3224-4	4-hole sink	<input type="checkbox"/> NA
K-3224-2	2-hole sink	<input type="checkbox"/> NA

Optional Accessories			
K-3278	Hardwood cutting board	<input type="checkbox"/> NA	
K-3280	Wire basket (for left basin only)	<input type="checkbox"/> 0 White	<input type="checkbox"/> Other_____
K-3291	Colander (for either basin)	<input type="checkbox"/> 0 White	<input type="checkbox"/> Other_____
K-8801	Duostrainer sink strainer	<input type="checkbox"/> CP	<input type="checkbox"/> Other_____

PRODUCT SPECIFICATION:

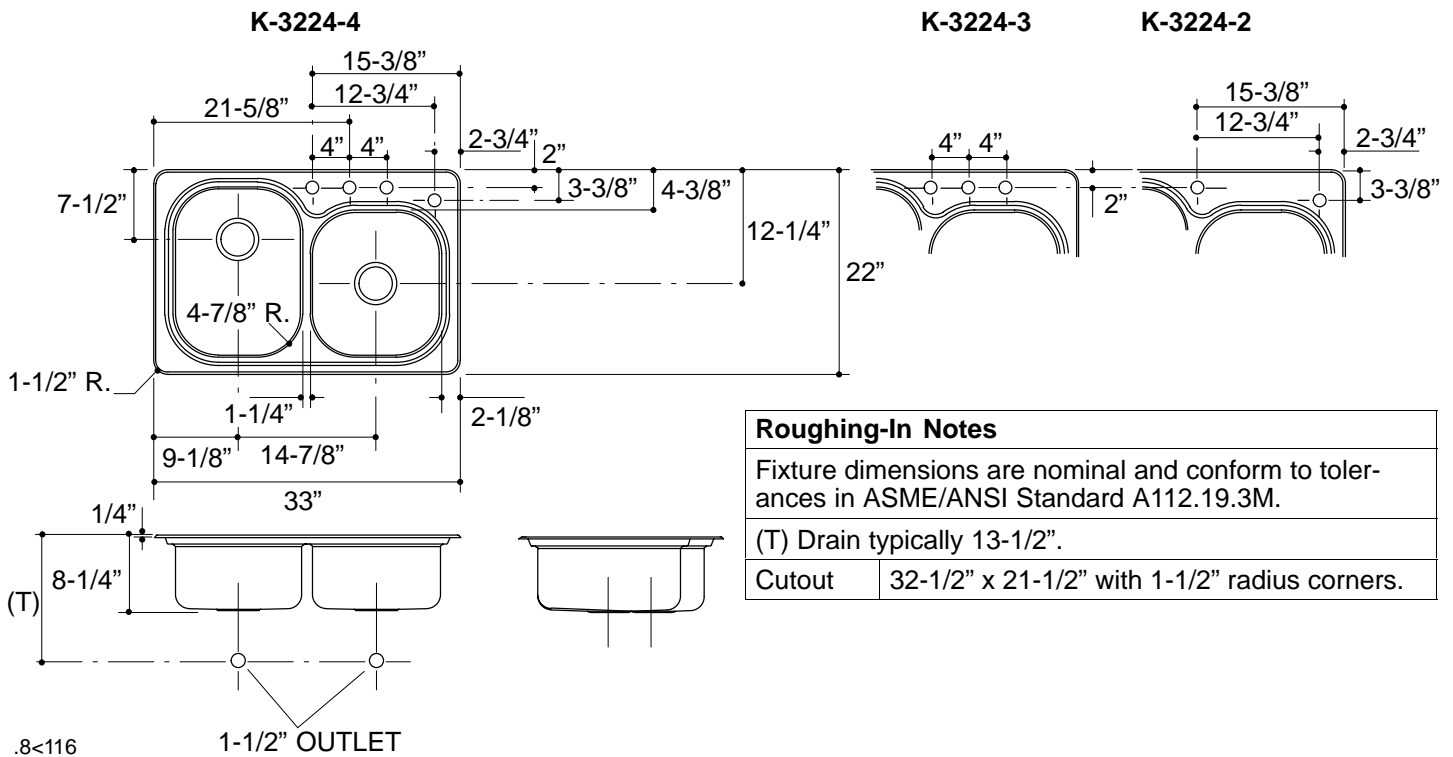
The self-rimming kitchen sink shall be 33" in length, and 22" in width. Sink shall be made of 18 gauge stainless steel. Sink shall be double (large/medium) compartment. Sink shall be 3-hole (K-3224-3), 4-hole (K-3224-4), or 2-hole (K-3224-2) faucet punched. Sink shall include installation hardware. Sink shall be Kohler Model K-3224-_____-_____.

PRODUCT INFORMATION

Fixture*:		basin area	water depth
Sink, left		14" x 18"	7-1/4"
Sink, right		14" x 15"	7-1/4"
Outlet	3-5/8" D.		
Faucet holes	1-7/16" D.		

* Approximate measurements for comparison only.

Included Components:	
Fastener pack	90208



PRODUCT DIAGRAM