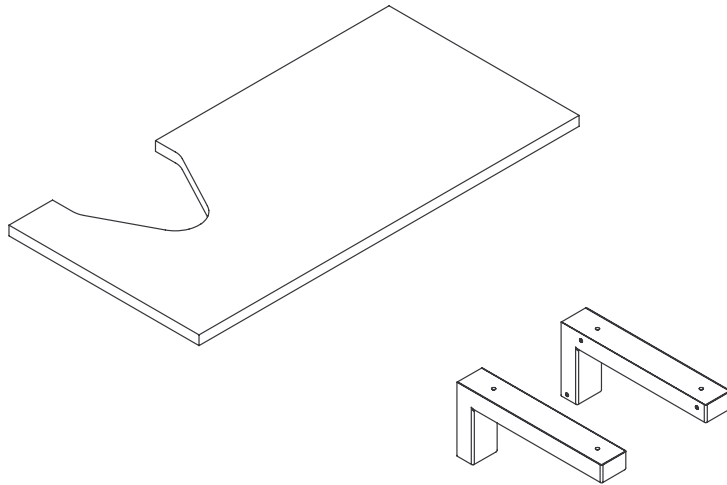


# Installation Guide

## Natural Lavastone Countertops and Mounting Brackets

K-3021, K-3031, K-3032, K-3033,  
K-3034, K-9667, K-9676



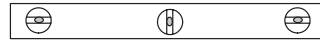
## Recommended Tools and Materials



Pencil

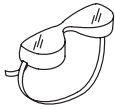


Measuring Tape



Level

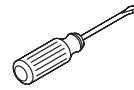
• Screws



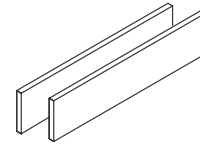
Safety Glasses



Drill




Phillips  
Screwdriver



2x12 Lumber

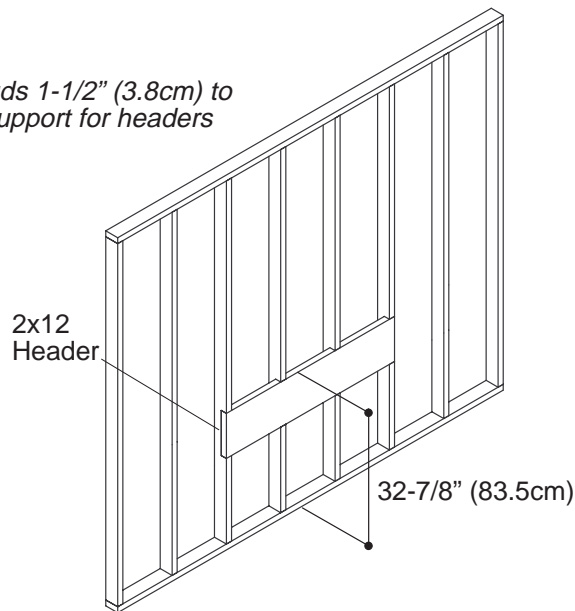
## Before You Begin

 **CAUTION: Risk of personal injury.** Lavastone is an extremely dense, heavy material. Do not attempt to lift or install lavastone countertops without assistance.

 **CAUTION: Risk of personal injury.** Installation of a header is critical with this product. Normal wall construction or steel-studded wall construction will not properly support your lavastone countertop. Failure of the wall could result in serious injury.

- If installing multiple Purist components (cabinet, vanity, countertop, lavatory, etc.) read all product installation instructions before beginning. Some components should be installed before others. Refer to the Homeowners Guide for sample configurations.
- Refer to the Homeowners Guide to determine all necessary components for your installation.
- Use the proper lag screws (not provided) for your installation. The type of lag screws needed will vary according to the finished wall material.
- Determine the different Purist pieces which will be installed along with your lavastone countertop. This will determine the number and type of brackets you will need. Brackets are right or left and different types and numbers of brackets will be needed depending on the configuration of your installation. Consult the Homeowners Guide to determine requirements.
- While several installation options are specifically mentioned, there are a number of additional installation options possible. Map out your installation in advance to determine the proper number and type of brackets.
- Model K-3081 wall-mount vanity is designed for placement under the lavatory. Model K-3080 wall-mount cabinet is designed for placement under the non cut-out sections of the countertop.
- Wall-mount cabinets and vanities are attached to the countertop using RTV Sealant (not supplied). The enclosed bolts are not used for wall-mount cabinet and vanity installation.
- Do not complete the finished wall until headers for each component in your installation have been installed.
- Do not complete the finished wall until all necessary plumbing and electrical rough-ins have been completed.
- Remove the countertop from its carton and inspect for damage.

Notch studs 1-1/2" (3.8cm) to provide support for headers



## 1. Wall Preparation

**⚠ CAUTION: Risk of personal injury. Installation of a header is critical with this product.** Normal wall construction will not properly support your lavastone countertop. Failure of the wall could result in serious injury.

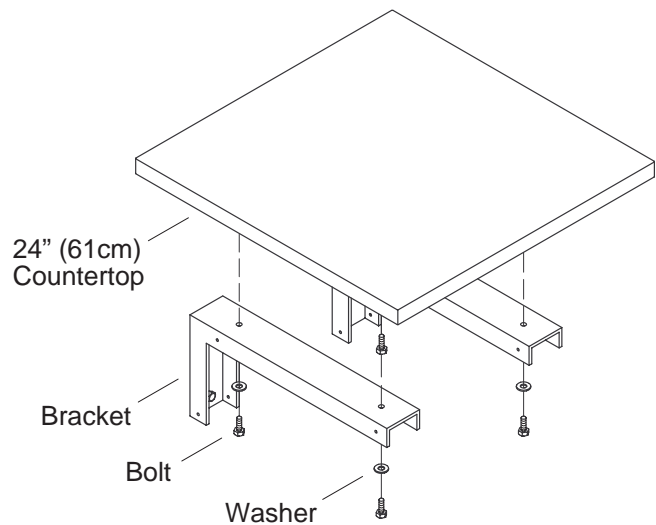
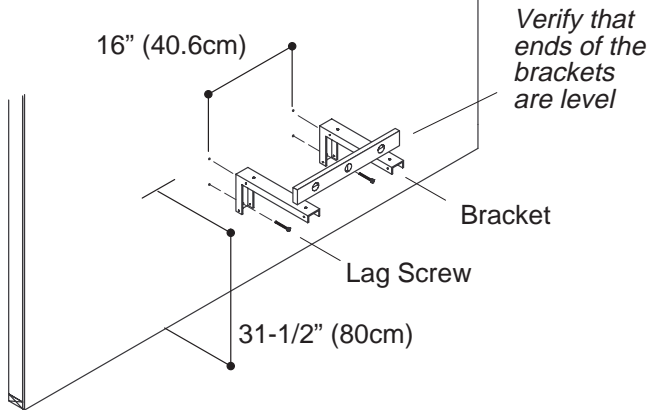
- Install a 2x12 header running the length of the countertop. Locate top of header 32-7/8" (83.5cm) from floor.
- If installing multiple components in this product line, consult the Homeowners Guide for proper header configuration.

**⚠ CAUTION: Risk of product damage and personal injury.** Extend the header beyond the countertop to the nearest stud. This will ensure proper support for the countertop.

- Notch out the studs as shown to ensure proper support. The studs should be front notched 1-1/2" (3.8cm).

**⚠ CAUTION: Risk of product damage and personal injury.** Do not use steel studs as they will not provide proper support. Do not splice studs. Notch out as directed.

- Rough-in the supplies, drain and trap.
- Complete the finished wall.
- Refer to the proper page for your installation.
- If you are installing the 24" (61cm) countertop go to step 2.
- If you are installing the 48" (122cm) countertop go to step 4.
- If you are installing the 72" (183cm) countertop go to step 6.



## 2. Install Brackets for 24" (61cm) Countertop

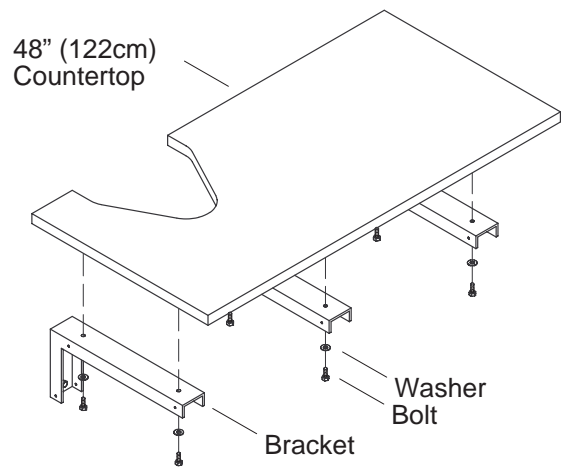
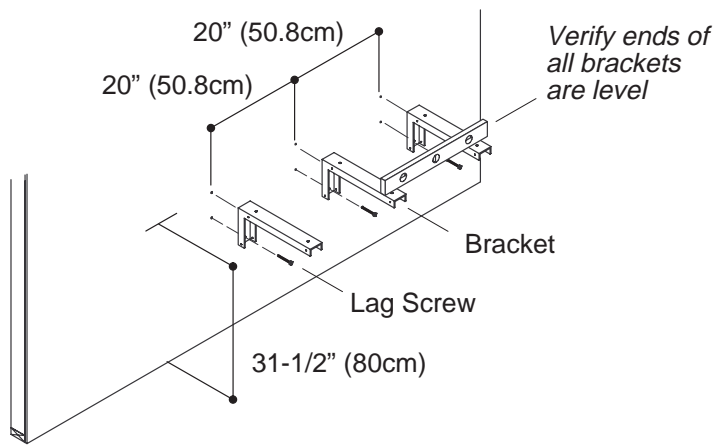
- If the K-3080 wall-mount cabinet is being installed, no brackets are required.
  - If the K-3080 wall-mount cabinet is not being installed, use two countertop brackets. Install one right side and one left side bracket.
  - Measure 31-1/2" (80cm) from the floor and mark with a pencil. This is where the top of the brackets will be installed.
  - Using a level, draw a horizontal line the length of the countertop. Measure brackets 16" (40.6cm) apart from center to center.
  - Place the tops of the brackets to the line and mark the mounting hole locations for predrilling. Predrill mounting holes.
- NOTE:** It is important to check for level before drilling holes.
- Attach the brackets to the wall using the proper lag screws (not provided). The type of lag screw needed will vary according to the finished wall.
  - Place a level on brackets at both ends (near wall and away from wall), and verify that brackets are level with each other.

**CAUTION:** Risk of product damage and personal injury. If one bracket is out of level with the other, countertop could break. Shim as needed between bracket and wall.

## 3. Install the 24" (61cm) Countertop

**CAUTION:** Risk of personal injury. Lavastone is an extremely dense, heavy material. The 24" (61cm) countertop weighs approximately 50 lbs. (23kg). Do not attempt to lift or install lavastone countertops without assistance.

- Place the countertop on top of the brackets or the wall-mount cabinet.
  - Wall-mount cabinet:** Use RTV sealant (not provided) to bond the cabinet to the countertop.
- NOTE:** Make sure cabinet surface is clean and dry.
- Brackets:** Align the threaded inserts in bottom of the countertop with the corresponding holes in the brackets.
  - Using the bolts and washers provided, attach the countertop to the brackets.
  - Proceed to step 8.



#### 4. Install Brackets for 48" (122cm) Countertop

**NOTE:** The 48" (122cm) countertop has a left-hand or right-hand lavatory cut out option.

**NOTE:** If installing 48" (122cm) countertop with wall-mount cabinet or vanity, install the K-3081 wall-mount vanity under the lavatory. Use the K-3080 wall-mount cabinet for installation under the countertop. Install cabinet(s) and/or vanity(ies) per installation instructions packed with product.

- If two wall-mount cabinets and/or vanities are being installed, no brackets are required.
- If one wall-mount cabinet or vanity is being installed, use one bracket. Determine whether a right or left side bracket is needed.
 

**NOTE:** Bracket must be level with top of wall-mount cabinet/vanity. It is important to check for level before completing installation.
- If no wall-mount cabinets or vanities are being installed, use three brackets. Install two right side and one left side brackets or two left side and one right side brackets.
- Measure 31-1/2" (80cm) from the floor and mark with a pencil. This is where the top of the bracket(s) will be installed.
- If installing three brackets, use a level to draw a horizontal line the length of the countertop. Measure each bracket location 20" (50.8cm) apart from center to center.
- Place the tops of the bracket(s) to the line and mark the mounting hole locations for predrilling. Predrill mounting holes.
 

**NOTE:** It is important to check for level before drilling holes.
- Attach the brackets to the wall using the proper lag screws (not provided). The type of lag screw needed will vary according to the finished wall.
- Place a level on brackets at both ends (near wall and away from wall), and verify that brackets are level with each other.

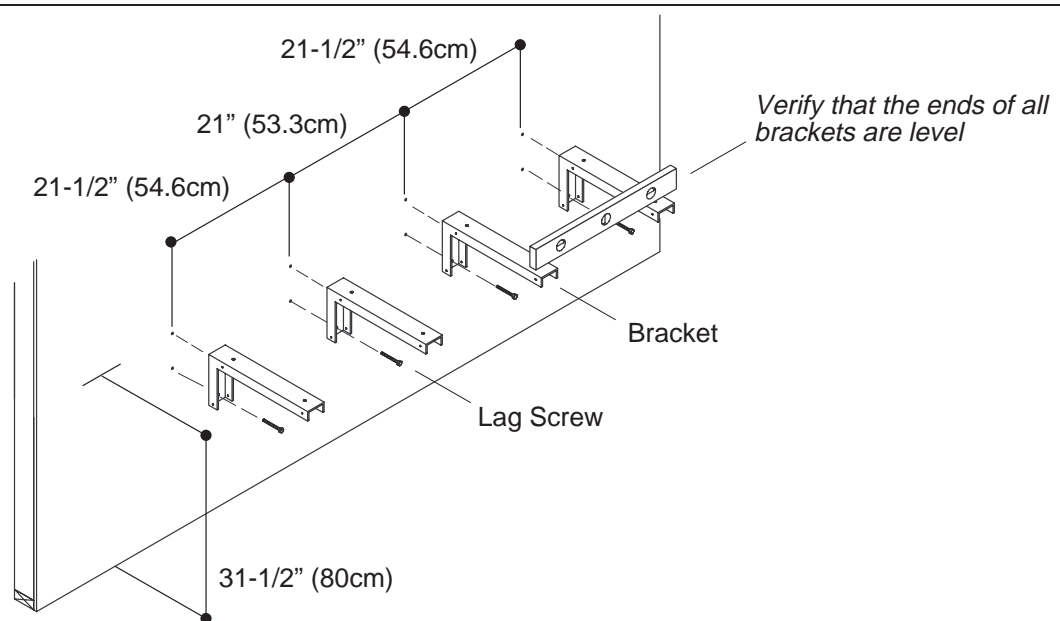
**CAUTION:** Risk of product damage and personal injury. If one bracket is out of level with the other, or with wall-mount cabinet/vanity, countertop could break. Shim as needed between bracket and wall.

#### 5. Install the 48" (122cm) Countertop

**CAUTION:** Risk of personal injury. Lavastone is an extremely dense, heavy material. The 48" (122cm) countertop weighs approximately 100 lbs. (46kg). Do not attempt to lift or install lavastone countertops without assistance.

- Place the countertop on top of the bracket(s) and/or the wall-mount cabinet(s)/vanity(ies).
- Wall-mount cabinet(s)/vanity(ies):** Use RTV sealant (not provided) to bond the cabinet to the countertop.
 

**NOTE:** Make sure cabinet/vanity surface is clean and dry.
- Brackets:** Align the threaded inserts in bottom of the countertop with the corresponding holes in the bracket(s).
- Using the bolts and washers provided, attach the countertop to the bracket(s).
- Proceed to step 8.



## 6. Install Brackets for 72" (182.9cm) Countertop

**NOTE:** The 72" (182.9cm) countertop has a single centered lavatory option or two lavatories (one at left, one at right) option.

**NOTE:** If installing the 72" (182.9cm) countertop with wall-mount cabinet or vanity, install the K-3081 wall-mount vanity under the lavatory. Use the K-3080 wall-mount cabinet for installation under the countertop. Install cabinet(s) and/or vanity(ies) per installation instructions packed with product.

- If three wall-mount cabinets and/or vanities are being installed, no brackets are required.
- If two wall-mount cabinets and/or vanities are being installed, no brackets are required if they are placed on each end of the installation. If the wall-mount cabinets/vanities are placed together on one end, use one bracket. If they are placed in the middle of the countertop, use one bracket on each end of the countertop.
- If one wall-mount cabinet or vanity is being installed, use two brackets. Determine whether a right and left side bracket is required or two brackets of the same type are required.
- If no wall-mount cabinets or vanities are being installed, use four brackets. Make sure the outside bracket on each end is the proper type (right for right side, left for left side).

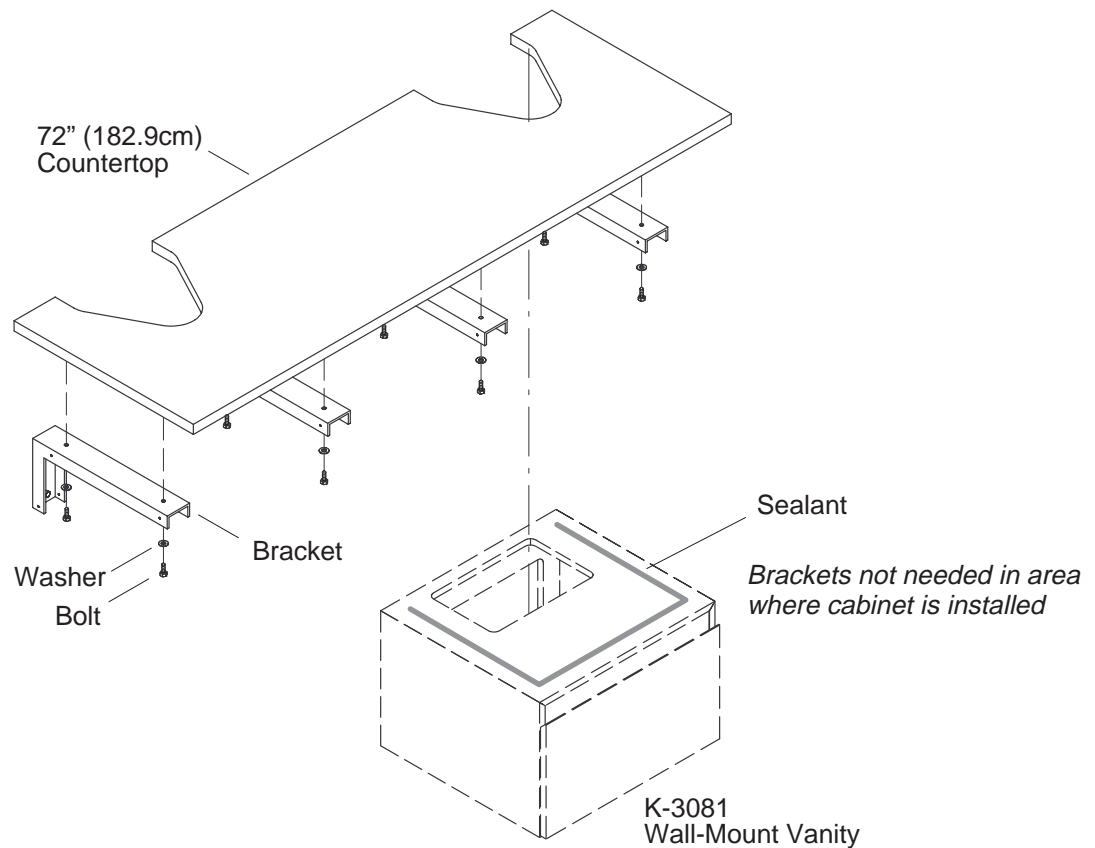
**NOTE:** Bracket(s) must be level with top of wall-mount cabinet(s) and/or vanity(ies). It is important to check for level before completing installation.

- Measure 31-1/2" (80cm) from the floor and mark with a pencil. This is where the top of the bracket(s) will be installed.
- If installing multiple brackets, use a level to draw a horizontal line the length of the countertop. Depending on desired bracket location, carefully measure and mark each bracket location on the wall as measured at hole inserts located on the bottom of countertop.
- Place the tops of the bracket(s) to the line and mark the mounting hole locations for predrilling. Predrill mounting holes.

**NOTE:** It is important to check for level before drilling holes.

- Attach the brackets to the wall using the proper lag screws (not provided). The type of lag screw needed will vary according to the finished wall.
- Place a level on brackets at both ends (near wall and away from wall), and verify that brackets are level with each other.

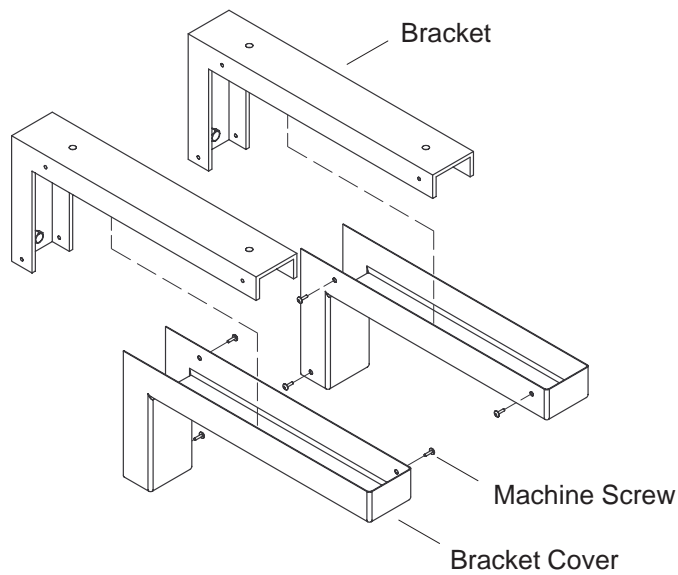
**CAUTION:** Risk of product damage and personal injury. If one bracket is out of level with the other, or with wall-mount cabinet, countertop could break. Shim as needed between bracket and wall.



## 7. Install the 72" (182.9cm) Countertop

**CAUTION: Risk of personal injury.** Lavastone is an extremely dense, heavy material. The 72" (182.9cm) countertop weighs approximately 200 lbs. (91kg). Do not attempt to lift or install lavastone countertops without assistance.

- Place the countertop on top of the bracket(s) and/or the wall-mount cabinet(s)/vanity(ies).
- Wall-mount cabinet(s)/vanity(ies):** Use RTV sealant (not provided) to bond the cabinet/vanity to the countertop.  
**NOTE:** Make sure cabinet/vanity surface is clean and dry.
- Brackets:** Align the threaded inserts in bottom of the countertop with the corresponding holes in the bracket(s).
- Using the bolts and washers provided, attach the countertop to the bracket(s).
- Proceed to step 8.



## 8. Install the Bracket Covers

- Place the bracket covers over the brackets.

**NOTE:** Make sure to use the correct bracket cover for a left or right facing bracket. Screw holes should face inward.

- Use the machine screws provided to attach the bracket covers.

## 9. Install Lavatory (if applicable)

- Install lavatory(ies) per installation instructions packed with product.



# Guide d'Installation

## Comptoirs en pierre volcanique naturelle et supports de fixation

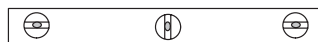
### Outils et Matériaux Recommandés



Crayon



Ruban à mesurer



Niveau

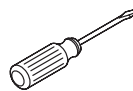
• Vis



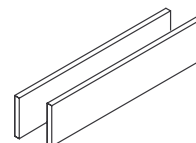
Lunettes de protection



Perceuse





Tournevis à pointe en croix



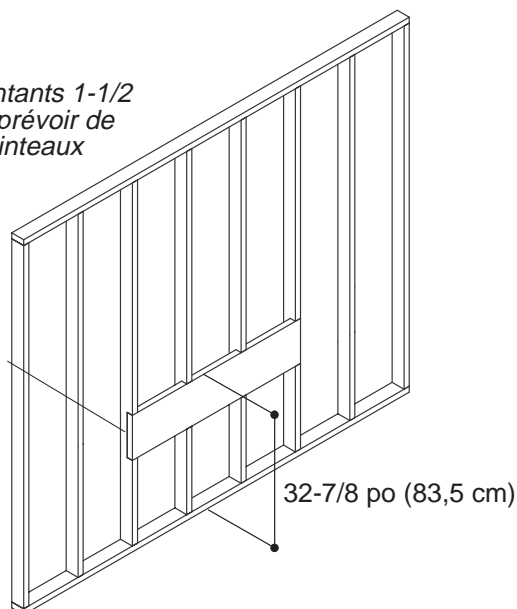
Montant de 2x12

### Avant de commencer

-  **ATTENTION : Risque de blessures.** La pierre volcanique est un matériau très dense et lourd. Ne pas soulever ou installer le comptoir en pierre volcanique sans aide.
-  **ATTENTION : Risque de blessures.** Il est très important d'installer un linteau avec ce produit. Les murs ordinaires ou à renforts d'acier ne fournissent pas un support adéquat pour le comptoir en pierre volcanique. La rupture du mur peut entraîner des blessures graves.
- Lorsque l'on installe des multiples composants Purist (armoires de toilette, meubles-lavabo, comptoirs, lavabos, etc.), lire les notices d'installation de tous les produits avant de commencer. Certains composants doivent être installés avant d'autres. Se reporter au Guide d'Utilisation pour les configurations possibles.
- Se reporter au Guide d'Utilisation afin de déterminer les composants nécessaires qui correspondent à votre installation.
- Utiliser les tire-fonds appropriés (non inclus) pour votre installation. Le type de tire-fond nécessaire varie selon matériau du mur.
- Déterminer quelles pièces de l'ensemble Purist seront installées avec le comptoir en pierre volcanique. Cela déterminera la quantité et le type de supports à utiliser. Les supports requis seront déterminés d'après le type de configuration de votre installation. À ce propos, se reporter au Guide d'Utilisation.
- Le guide contient quelques options d'installation. D'autres configurations sont possibles. Pensez à procéder à un relevé rigoureux de votre installation, avant de le reporter sur un plan.
- Le meuble-lavabo modèle K-3081 est conçu pour être installé au-dessous d'un lavabo. L'armoire de toilette suspendu K-3080 est conçu pour être installé au-dessous des sections de comptoir sans évidement.
- Les armoires et meubles-lavabo suspendus sont fixés au comptoir avec de la silicone résistante aux variations de température (non fournie). Les boulons inclus ne sont pas utilisés pour l'installation des meubles suspendus.
- Ne pas compléter le mur jusqu'à fixer les renforts pour chaque composant à installer.
- Ne pas compléter le mur jusqu'à terminer les branchements électriques et de plomberie nécessaires.
- Déballer le comptoir et l'examiner soigneusement pour déceler tout dommage.




Encocher les montants 1-1/2 po (3,8 cm) pour prévoir de support pour les linteaux

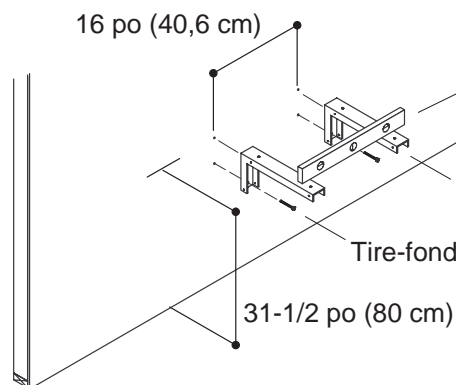
Linteau de 2x12



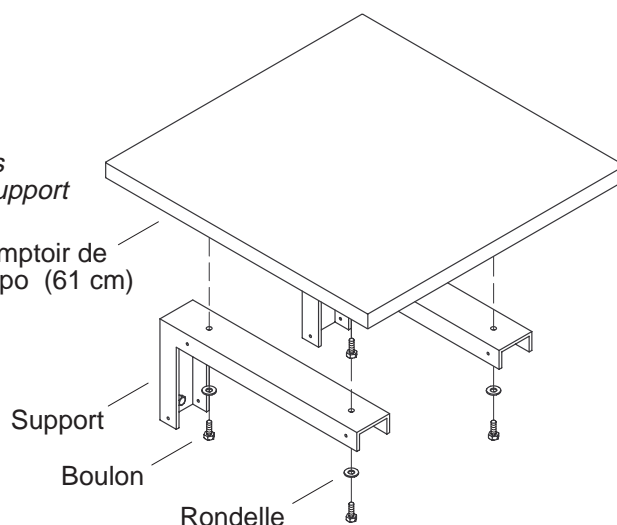
32-7/8 po (83,5 cm)

## 1. Préparation du mur

-  **ATTENTION : Risque de blessures. Il est très important d'installer un linteau avec ce produit.** Les murs ordinaires ne peuvent pas supporter le poids du comptoir en pierre volcanique. La rupture du mur peut entraîner des blessures graves.
- Installer un renfort de 2x12 le long le comptoir. Situer le dessus du linteau à 32-7/8 po (83,5 cm) du plancher.
- Lorsque l'on installe des multiples composants, se reporter au Guide d'Utilisation pour la configuration appropriée des renforts.
-  **ATTENTION : Risque de blessures ou d'endommagement du produit.** Étendre le renfort vers le montant le plus proche par rapport au comptoir. Cela assurera le support approprié pour le comptoir.
- Encocher les montants tel qu'illustré pour prévoir suffisamment de support. Encocher le devant des montants 1-1/2 po (3,8 cm).
-  **ATTENTION : Risque de blessures ou d'endommagement du produit.** Les charpentes en acier ne constituent pas un support suffisamment robuste. Ne pas épisser les montants. Encocher les montants tel qu'indiqué.
- Installer les tubes d'arrivée d'eau, le drain et le siphon selon le diagramme de raccordement.
- Compléter la finition du mur.
- Se reporter à la page qui correspond à votre installation.
- Si l'on installe un comptoir de 24 po (61 cm), poursuivre à l'étape 2.
- Si l'on installe un comptoir de 48 po (122 cm), poursuivre à l'étape 4.
- Si l'on installe un comptoir de 72 po (183 cm), poursuivre à l'étape 6.



*S'assurer que les extrémités des support soient de niveau.*



## 2. Installer les supports pour le comptoir de 24 po (61 cm)

- Aucun support n'est nécessaire si l'on installe l'armoire de toilette suspendu K-3080.
- Utiliser deux supports de comptoir si l'on installe l'armoire de toilette suspendu K-3080. Installer un support à droite et un support à gauche.
- Marquer un point à 31-1/2 po (80 cm) à partir du plancher. Ceci sera le point de positionnement du dessus du support.
- À l'aide d'un niveau, tracer une ligne horizontale le long le comptoir. Mesurer 16 po (40,6 cm) d'un support à l'autre à partir du centre.
- Positionner le dessus des supports sur la ligne et marquer l'emplacement des trous de fixation. Percer les avant-trous.

**REMARQUE :** Il faut vérifier que les marques soient de niveau avant de percer les trous.

- Fixer les supports au mur avec les tire-fonds appropriés (non fournis). Le type de tire-fond nécessaire varie selon matériau du mur.
- Placer un niveau sur les extrémités des supports (près et loins du mur), et vérifier qu'ils soient de niveau.

**⚠ ATTENTION : Risque de blessures ou d'endommagement du produit.** Si l'un des supports n'est pas de niveau par rapport à l'autre, le comptoir peut casser. Placer des cales au besoin entre le support et le mur.

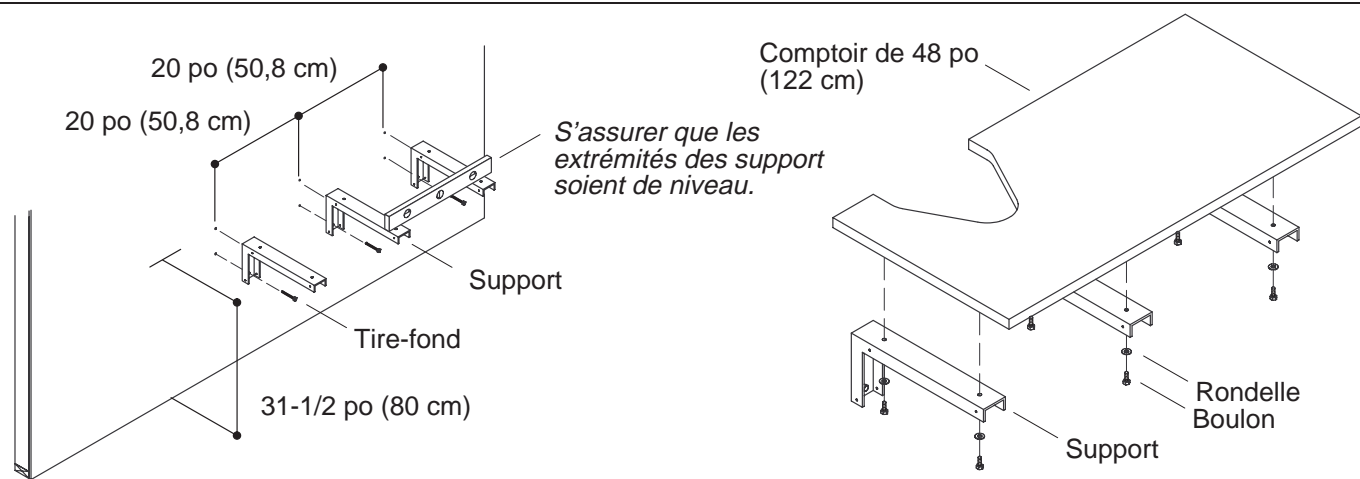
## 3. Installer le comptoir de 24 po (61 cm)

**⚠ ATTENTION : Risque de blessures.** La pierre volcanique est un matériau très dense et lourd. Le poids du comptoir de 24 po (61 cm) est d'environ 50 lbs. (23 Kg.). Ne pas soulever ou installer le comptoir en pierre volcanique sans aide.

- Placer le comptoir sur le dessus des supports ou du meuble.
- Meuble suspendu :** Utiliser de la silicone résistante aux variations de température (non fournie) pour attacher le meuble au comptoir.

**REMARQUE :** La surface su meuble doit être propre et sèche.

- Supports :** Aligner les douilles taraudées à la base du comptoir avec les trous correspondants sur les supports.
- À l'aide des boulons et rondelles inclus, fixer le comptoir aux supports.
- Passer à l'étape 8.



#### 4. Installer les supports pour le comptoir de 48 po (122 cm)

**REMARQUE :** L'évidement du comptoir de 48 po (122 cm) peut être à gauche ou à droite.

**REMARQUE :** Si l'on installe le comptoir de 48 po (122 cm) sur un meuble, installer le meuble-lavabo K-3081 sous le lavabo. Utiliser l'armoire suspendu K-3080 pour l'installation sous comptoir. Installer les meubles selon la notice qui accompagne les produits.

Si l'on installe deux meubles, aucun support n'est nécessaire.

Lorsque l'on installe un meuble, utiliser un support. Choisir un support de droite ou de gauche.

**REMARQUE :** Le support devrait être de niveau par rapport le dessus du meuble. Il faut vérifier que l'ensemble soit de niveau avant de compléter l'installation.

Lorsque l'on n'installe aucun meuble, utiliser trois supports. Installer deux supports de droite et un support de gauche, ou viceversa.

Marquer un point à 31-1/2 po (80 cm) à partir du plancher. Ceci sera le point de positionnement du dessus du support.

Lorsque l'on installe trois supports, tracer une ligne horizontale le long le comptoir à l'aide d'un niveau. Mesurer 20 po (50,8 cm) d'un support à l'autre à partir du centre.

Positionner le dessus des supports sur la ligne et marquer l'emplacement des trous de fixation. Percer les avant-trous.

**REMARQUE :** Il faut vérifier que les marques soient de niveau avant de percer les trous.

Fixer les supports au mur avec les tire-fonds appropriés (non fournis). Le type de tire-fond nécessaire varie selon matériau du mur.

Placer un niveau sur les extrémités des supports (près et loins du mur), et vérifier qu'ils soient de niveau.

**ATTENTION :** **Risque de blessures ou d'endommagement du produit.** Si l'un des supports n'est pas de niveau par rapport à l'autre ou par rapport aux meubles, le comptoir peut casser. Placer des cales au besoin entre le support et le mur.

#### 5. Installer le comptoir de 48 po (122 cm)

**ATTENTION :** **Risque de blessures.** La pierre volcanique est un matériau très dense et lourd. Le poids du comptoir de 48 po (122 cm) est d'environ 100 lbs. (46 Kg.). Ne pas soulever ou installer le comptoir en pierre volcanique sans aide.

Placer le comptoir sur le dessus des supports ou du meuble.

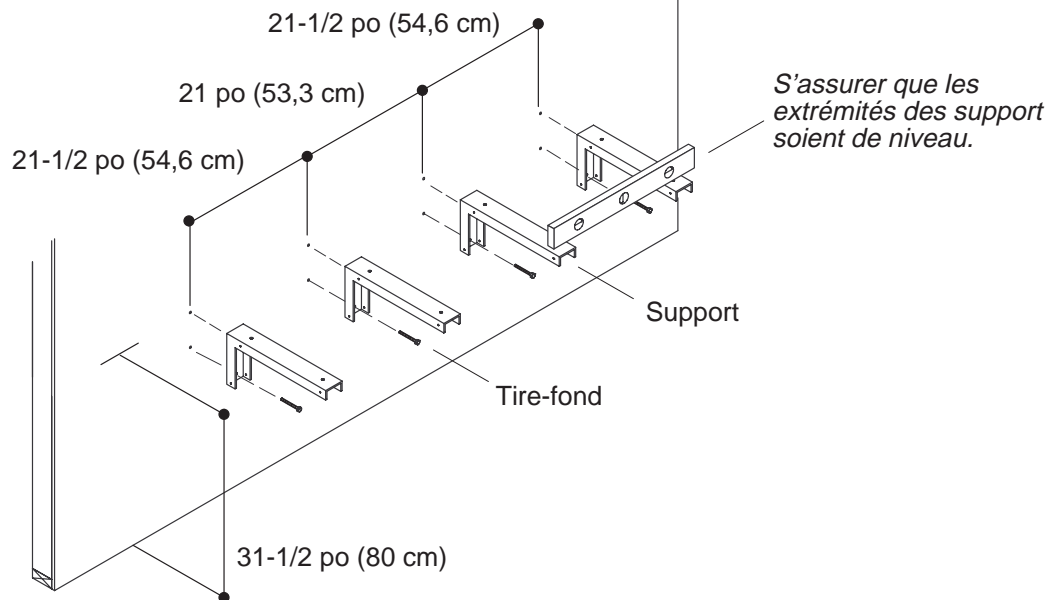
**Armoire / meuble-lavabo suspendu :** Utiliser de la silicone résistante aux variations de température (non fournie) pour attacher le meuble au comptoir.

**REMARQUE :** S'assurer que la surface du meuble soit propre et sèche.

**Supports :** Aligner les douilles taraudées à la base du comptoir avec les trous correspondants sur les supports.

À l'aide des boulons et rondelles inclus, fixer le comptoir aux supports.

Passer à l'étape 8.



## 6. Installer les supports pour le comptoir de 72 po (183 cm)

**REMARQUE :** Le comptoir de 72 po (183 cm) offre la possibilité d'installer un lavabo centré, ou bien deux lavabos (un à droite, un à gauche).

**REMARQUE :** Si l'on installe le comptoir de 72 po (183 cm) sur un meuble, installer le meuble-lavabo K-3081 sous le lavabo. Utiliser le meuble suspendu K-3080 pour l'installation sous comptoir. Installer les meubles selon la notice qui accompagne les produits.

- Si l'on installe trois meubles, aucun support n'est nécessaire.
- Si l'on installe deux meubles, aucun support n'est nécessaire lorsque les meubles sont positionnés à chaque extrémité de l'installation. Si les meubles sont installés ensemble d'un seul côté, installer un support. Lorsque les meubles sont installés au milieu du comptoir, utiliser un support à chaque extrémité du comptoir.
- Lorsque l'on installe un seul meuble, utiliser deux supports. Déterminer le sens des supports à utiliser.
- Lorsque l'on n'installe aucun meuble, utiliser quatre supports. S'assurer que le support extérieur de chaque extrémité soit à l'emplacement correct (droite, gauche).

**REMARQUE :** Le support devrait être de niveau par rapport le dessus du meuble. Il faut vérifier que l'ensemble soit de niveau avant de compléter l'installation.

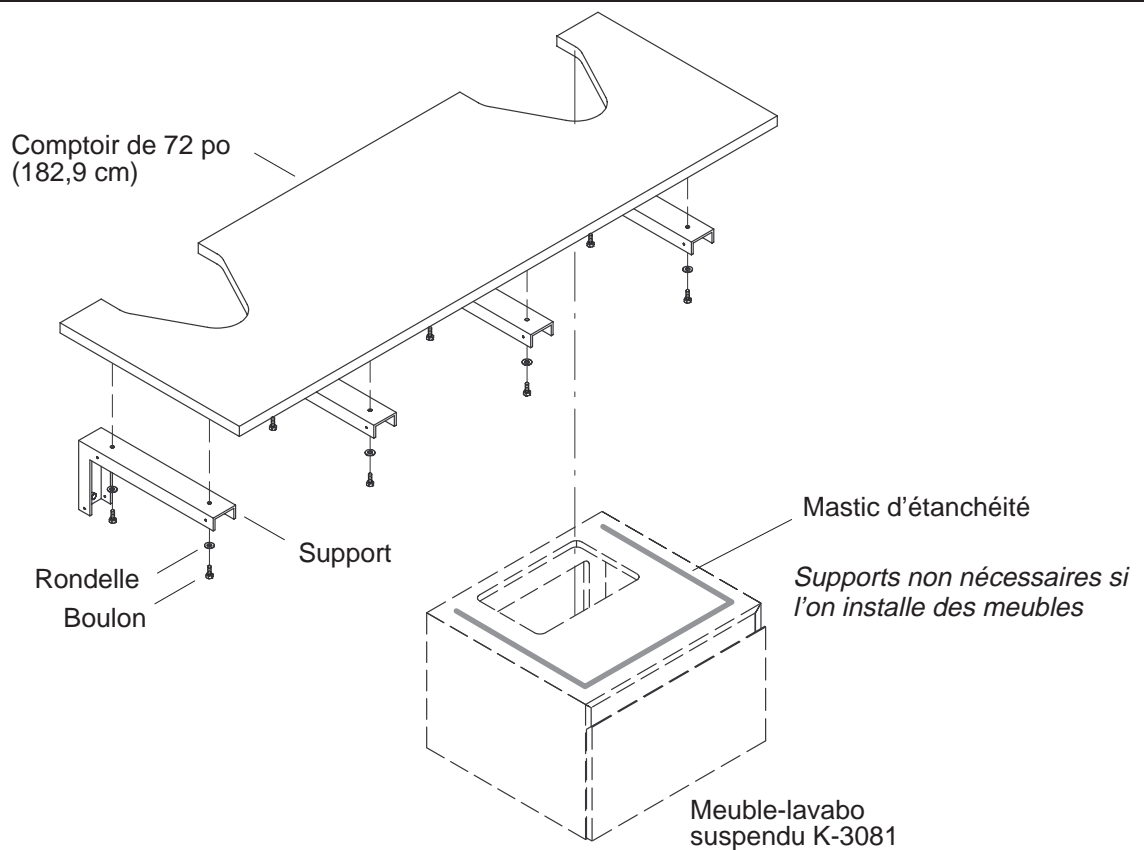
- Marquer un point à 31-1/2 po (80 cm) à partir du plancher. Ceci sera le point de positionnement du dessus du support.
- Lorsque l'on installe des supports, tracer une ligne horizontale le long le comptoir à l'aide d'un niveau. Mesurer et marquer l'emplacement de chaque support sur le mur, tenant compte des emplacements des douilles taraudées à la base du comptoir.
- Positionner le dessus des supports sur la ligne et marquer l'emplacement des trous de fixation. Percer les avant-trous.

**REMARQUE :** Il faut vérifier que les marques soient de niveau avant de percer les trous.

- Fixer les supports au mur avec les tire-fonds appropriés (non fournis). Le type de tire-fond nécessaire varie selon matériau du mur.
- Placer un niveau sur les extrémités des supports (près et loins du mur), et vérifier qu'ils soient de niveau.



**ATTENTION : Risque de blessures ou d'endommagement du produit.** Si l'un des supports n'est pas de niveau par rapport à l'autre ou par rapport aux meubles, le comptoir peut casser. Placer des cales au besoin entre le support et le mur.



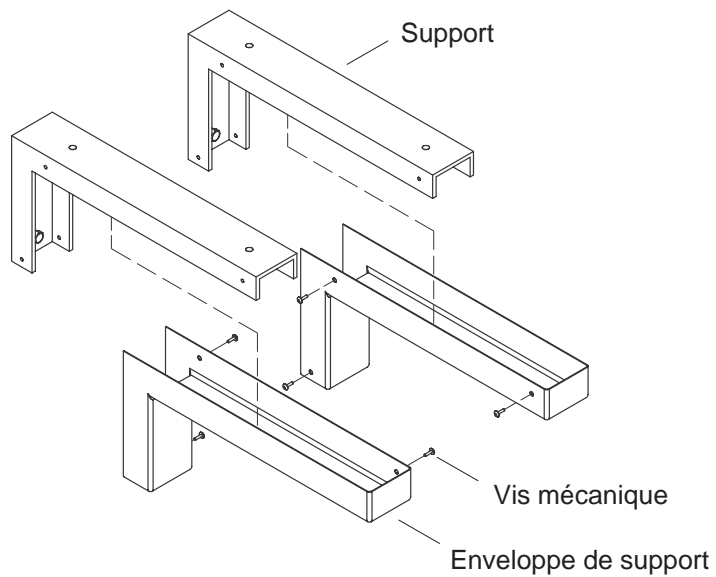
## 7. Installer le comptoir de 72 po (183 cm)

**ATTENTION : Risque de blessures.** La pierre volcanique est un matériau très dense et lourd. Le poids du comptoir de 72 po (182,9 cm) est d'environ 200 lbs. (91 Kg.). Ne pas soulever ou installer le comptoir en pierre volcanique sans aide.

- Placer le comptoir sur le dessus des supports ou du meuble.
- Armoire / meuble-lavabo suspendu :** Utiliser de la silicone résistante aux variations de température (non fournie) pour attacher le meuble au comptoir.

**REMARQUE :** La surface su meuble doit être propre et sèche.

- Supports :** aligner les douilles taraudées à la base du comptoir avec les trous correspondants sur les supports.
- À l'aide des boulons et rondelles inclus, fixer le comptoir aux supports.
- Passer à l'étape 8.



## 8. Installer les enveloppes de support

- Placer les enveloppes sur les supports.

**REMARQUE :** S'assurer d'utiliser l'enveloppe de support correct (gauche ou droit). Les orifices des vis devraient être orientés vers l'intérieur.

- Utiliser les vis mécaniques fournies pour fixer les enveloppes de support.

## 9. Installer le lavabo (le cas échéant)

- Installer le lavabo suivant la notice qui accompagne le produit.

# Guía de Instalación

## Mostradores de piedra volcánica natural y soportes de fijación

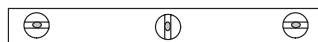
### Herramientas y materiales sugeridos



Lápiz



Cinta métrica



Nivel

• Tornillos



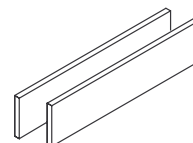
Anteojos de seguridad



Taladro





Destornillador de estrías



Travesaño de 2x12

### Antes de Comenzar

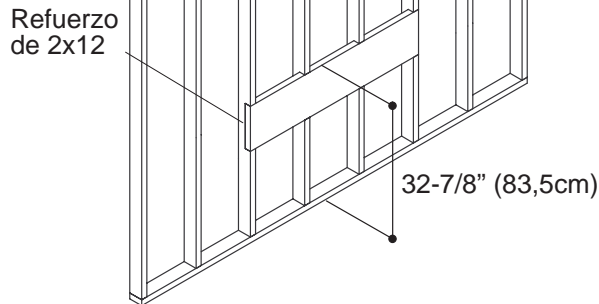
 **PRECAUCIÓN: Riesgo de lesiones personales.** La piedra volcánica es en extremo densa y pesada. No intente levantar o instalar mostradores de piedra volcánica sin ayuda.

 **PRECAUCIÓN: Riesgo de lesiones personales.** Es importante instalar una cabecera con este producto. Las paredes ordinarias o de travesaños de acero no constituyen suficiente soporte para el mostrador de piedra volcánica natural. La deficiencia de la pared puede ocasionar heridas graves.




- Si se instala múltiples componentes Purist (gabinete, tocador, mostrador, lavabo, etc.), lea las instrucciones que acompañan a los productos antes de comenzar. Se debe instalar algunos componentes antes que otros. Consulte las configuraciones posibles en la Guía del Usuario.
- Consulte la Guía del Usuario para determinar los componentes necesarios para su instalación.
- Utilice los tornillos de fijación adecuados (no incluidos) para la instalación. El tipo de tornillos de fijación empleado variará de acuerdo al material de la pared acabada.
- Determine las diferentes piezas Purist a instalar junto al mostrador de piedra volcánica. Esto determinará el número y el tipo de soportes necesarios. Los soportes derechos o izquierdos, así como la cantidad de los mismos dependerá de la configuración de la instalación. Consulte la Guía del Usuario para determinar los requisitos.
- Aunque se menciona diversas opciones de instalación, hay muchas otras opciones posibles. Realice un plano de la instalación a priori para determinar la cantidad y el tipo de soportes necesarios.
- El tocador de montaje mural K-3081 está diseñado para ser instalado debajo del lavabo. El gabinete de montaje mural K-3080 está diseñado para ser instalado debajo de las secciones sin aberturas del mostrador.
- Los gabinetes y tocadores de montaje mural se aseguran al mostrador con sellador vulcanizado a temperatura ambiente (no incluido). Los pernos incluidos no se emplean en la instalación del gabinete y tocador de montaje mural.
- No complete la pared acabada hasta haber instalado los refuerzos para cada componente.
- No complete la pared acabada hasta haber terminado todas las conexiones eléctricas y de plomería necesarias.
- Desempaque el mostrador y verifique que no esté dañado.

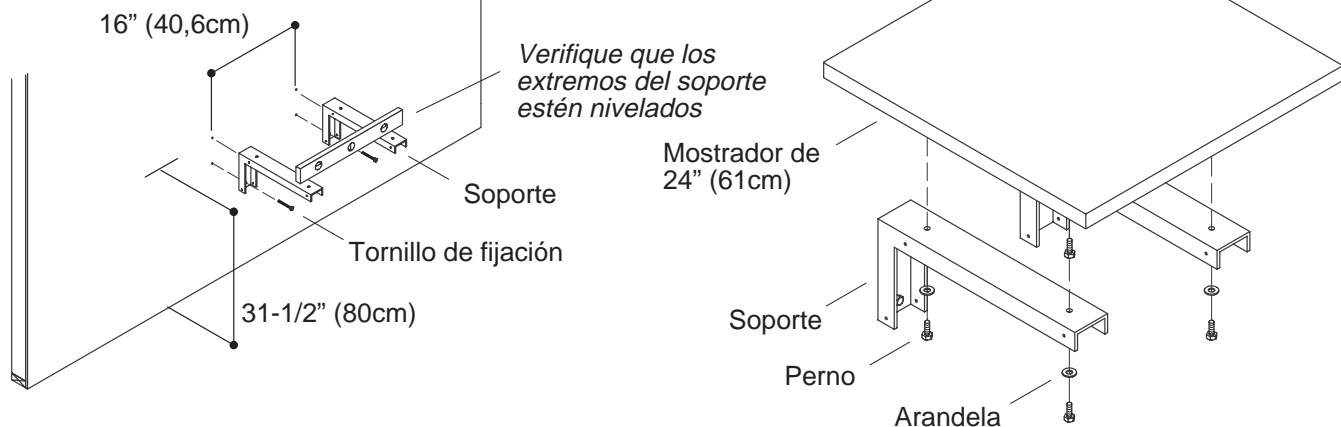


Haga ranuras en los travesaños a 1-1/2" (3,8cm) para mayor soporte a los listones



## 1. Preparación de la pared

-  **PRECAUCIÓN: Riesgo de lesiones personales. Es importante instalar una cabecera con este producto.** Las paredes ordinarias no pueden soportar el mostrador de piedra volcánica. La deficiencia de la pared puede ocasionar heridas graves.
- Instale un soporte de 2x12 a lo largo de todo el mostrador. Sitúe la parte superior de la cabecera a 32-7/8" (83,5cm) del piso.
- Si se instala múltiples componentes de esta línea de productos, consulte la Guía del Usuario para la buena configuración de los listones de apoyo.
-  **PRECAUCIÓN: Riesgo de lesiones personales y daños al producto.** Extienda los listones detrás del gabinete, al travesaño más cercano. Esto asegura el soporte adecuado para el mostrador.
- Haga ranuras en los travesaños como se ilustra para asegurar el soporte adecuado. Los travesaños deben estar ranurados en el frente 1-1/2" (3,8cm).
-  **PRECAUCIÓN: Riesgo de lesiones personales y daños al producto.** No utilice travesaños de acero pues los mismos no proporcionan soporte adecuado. No emplame los travesaños. Haga las muescas tal como se ilustra.
- Marque la instalación de los suministros y del desagüe y del sifón.
- Complete la pared acabada.
- Consulte la página correspondiente a su instalación.
- Si se instala un mostrador de 24" (61cm), prosiga al paso 2.
- Si se instala un mostrador de 48" (122cm), prosiga al paso 4.
- Si se instala un mostrador de 72" (183cm), prosiga al paso 6.

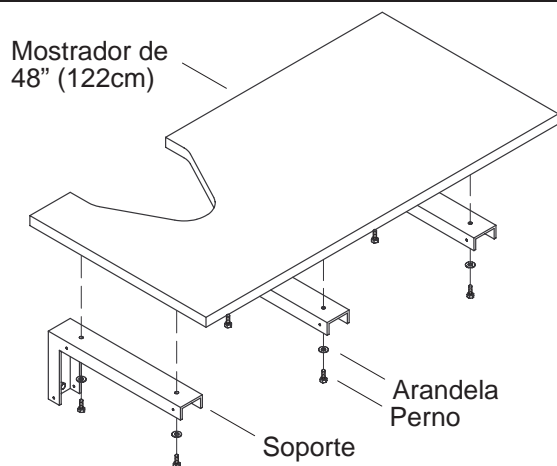
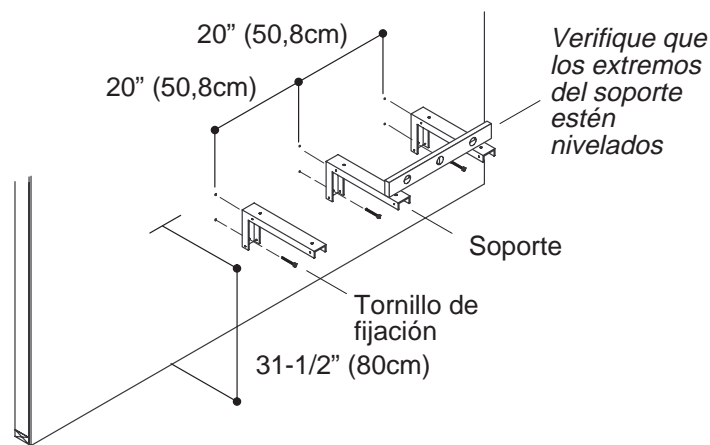


## 2. Instale los soportes para el mostrador de 24" (61cm)

- Si se instala el gabinete de montaje mural K-3080, no se requiere de soportes.
  - Si no se instala el gabinete de montaje mural K-3080, utilice dos soportes para el mostrador. Instale un soporte derecho y uno izquierdo.
  - Mida 31-1/2" (80cm) a partir del piso y marque con un lápiz. En este lugar se instalará los soportes.
  - Trace una línea horizontal con un nivel, a lo largo del mostrador. Mida los soportes a 16" (40,6cm) de distancia el uno del otro, de centro a centro.
  - Coloque la parte superior de las abrazaderas sobre la línea y marque los orificios de montaje. Perfore los orificios de fijación.  
**NOTA:** Verifique la nivelación antes de perforar los orificios.
  - Conecte los soportes a la pared con los tornillos de fijación apropiados (no incluidos). El tipo de tornillos empleado variará de acuerdo al material de la pared acabada.
  - Coloque un nivel sobre ambos extremos de los soportes (cerca y lejos de la pared), y verifique que estén nivelados el uno respecto al otro.
- ⚠ PRECAUCIÓN: Riesgo de lesiones personales y daños al producto.** Si uno de los soportes está desnivelado respecto al otro, el mostrador puede romperse. Coloque las cuñas necesarias entre el soporte y la pared.

## 3. Instale el mostrador de 24" (61cm)

- ⚠ PRECAUCIÓN: Riesgo de lesiones personales.** La piedra volcánica es en extremo densa y pesada. El mostrador de 24" (61cm) pesa aproximadamente 50 libras (23kg). No intente levantar o instalar mostradores de piedra volcánica sin ayuda.
- Coloque el mostrador sobre los soportes o sobre el gabinete de montaje mural.
  - Gabinete de montaje mural:** Utilice sellador vulcanizado a temperatura ambiente (no incluido) para fijar el gabinete al mostrador.  
**NOTA:** Verifique que la superficie del gabinete esté limpia y seca.
  - Soportes:** Alinee los insertos roscados en la base del mostrador con los orificios correspondientes en los soportes.
  - Fije el mostrador a los soportes con los pernos y arandelas incluidos.
  - Prosiga al Paso 8.



#### 4. Instale los soportes para el mostrador de 48" (122cm)

**NOTA:** El mostrador de 48" (122cm) permite realizar la abertura para el lavabo del lado izquierdo o del lado derecho.

**NOTA:** Si se instala el mostrador de 48" (122cm) con el gabinete o tocador de montaje mural, instale el tocador de montaje mural K-3081 debajo del lavabo. Utilice el gabinete K-3080 de montaje mural para instalaciones debajo del mostrador. Instale los gabinetes o los tocadores de acuerdo con las instalaciones correspondientes.

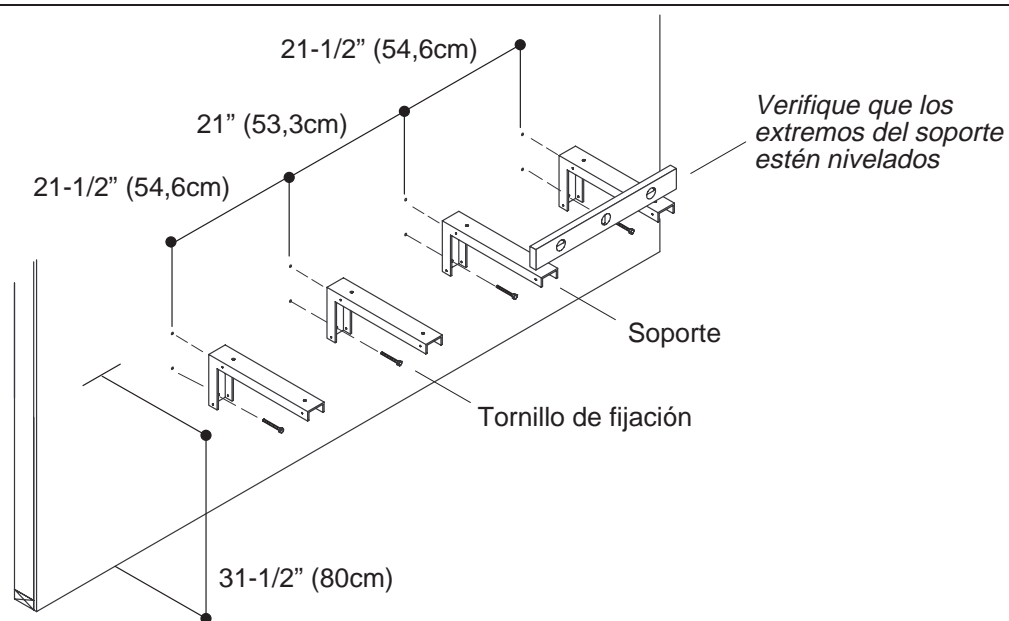
- Si se instala dos gabinetes o tocadores de montaje mural, no se requiere de soportes.
- Si se instala un gabinete o un tocador, utilice un soporte. Determine el tipo de soporte necesario (derecho o izquierdo).  
**NOTA:** El soporte debe estar nivelado con la parte superior del gabinete o tocador de montaje mural. Verifique la nivelación antes de completar la instalación.
- Si no se instala gabinetes o tocadores de montaje mural, utilice tres soportes. Instale dos soportes del lado derecho y uno del lado izquierdo o viceversa.
- Mida 31-1/2" (80cm) a partir del piso y marque con un lápiz. En este lugar se instalará el tope de los soportes.
- Si se instala tres soportes, trace una línea horizontal con un nivel, a lo largo del mostrador. Mida cada punto de los soportes a 20" (50,8cm) de distancia el uno del otro, de centro a centro.
- Coloque la parte superior de las abrazaderas sobre la línea y marque los orificios de montaje. Perfore los orificios de fijación.  
**NOTA:** Verifique la nivelación antes de perforar los orificios.
- Conecte los soportes a la pared con los tornillos de fijación apropiados (no incluidos). El tipo de tornillos empleado variará de acuerdo al material de la pared acabada.
- Coloque un nivel sobre ambos extremos de los soportes (cerca y lejos de la pared), y verifique que estén nivelados el uno respecto al otro.

**⚠ PRECAUCIÓN: Riesgo de lesiones personales y daños al producto.** Si uno de los soportes está desnivelado respecto al otro o respecto al gabinete/tocador de montaje mural, el mostrador podría romperse. Coloque las cuñas necesarias entre el soporte y la pared.

#### 5. Instale el mostrador de 48" (122cm)

**⚠ PRECAUCIÓN: Riesgo de lesiones personales.** La piedra volcánica es en extremo densa y pesada. El mostrador de 48" (122cm) pesa aproximadamente 100 libras (46 Kg.). No intente levantar o instalar mostradores de piedra volcánica sin ayuda.

- Coloque el mostrador sobre los soportes o sobre el gabinete o tocador de montaje mural.
- Gabinete o tocador de montaje mural:** Utilice sellador vulcanizado a temperatura ambiente (no incluido) para fijar el gabinete al mostrador.  
**NOTA:** Verifique que la superficie del gabinete/tocador esté limpia y seca.
- Soportes:** Alinee los insertos roscados en la base del mostrador con los orificios correspondientes en los soportes.
- Fije el mostrador a los soportes con los pernos y arandelas incluidos.
- Prosiga al Paso 8.



## 6. Instale los soportes para el mostrador de 72" (183cm)

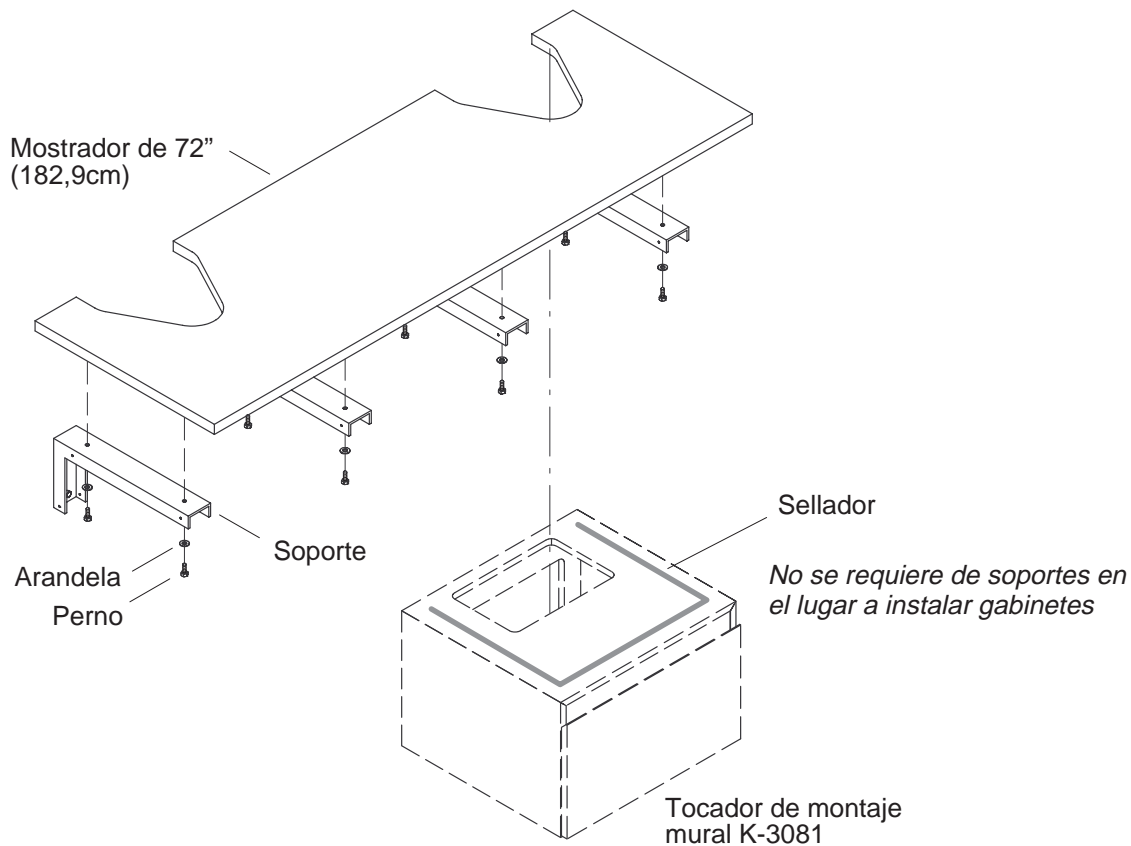
**NOTA:** El mostrador de 72" (183cm) permite la instalación de un lavabo centrado o de dos lavabos (uno a derecha y otro a la izquierda).

**NOTA:** Si se instala el mostrador de 72" (183cm) con el gabinete o tocador de montaje mural, instale el tocador de montaje mural K-3081 debajo del lavabo. Utilice el gabinete K-3080 de montaje mural para instalaciones debajo del mostrador. Instale los gabinetes o los tocadores de acuerdo con las instalaciones correspondientes.

- Si se instala tres gabinetes o tocadores de montaje mural, no se requiere de soportes.
  - Si se instala dos gabinetes o tocadores de montaje mural, no se requiere de soportes si los muebles se encuentran en cada extremo de la instalación. Si se instala los gabinetes o tocadores de montaje mural en un extremo, utilice un soporte. Si se instala los muebles en el medio del mostrador, utilice un soporte en cada extremo del mostrador.
  - Si se instala un gabinete o un tocador, utilice dos soportes. Determine el soporte necesario (derecho o izquierdo).
  - Si no se instala gabinetes o tocadores de montaje mural, utilice cuatro soportes. Verifique que el soporte externo en cada extremo sea el adecuado (derecho para el lado derecho, etc.).
- NOTA:** El soporte debe estar nivelado con la parte superior del gabinete o tocador de montaje mural. Verifique la nivelación antes de completar la instalación.

- Mida 31-1/2" (80cm) a partir del piso y marque con un lápiz. En este lugar se instalará el tope de los soportes.
  - Si se instala múltiples soportes, trace una línea horizontal con un nivel, a lo largo del mostrador. Dependiendo del lugar de montaje deseado para el soporte, mida y marque el lugar de cada soporte en la pared, de la misma manera que se midió los insertos de la base del mostrador.
  - Coloque la parte superior de las abrazaderas sobre la línea y marque los orificios de montaje. Perfore los orificios de fijación.
- NOTA:** Verifique la nivelación antes de perforar los orificios.
- Conecte los soportes a la pared con los tornillos de fijación apropiados (no incluidos). El tipo de tornillos empleado variará de acuerdo al material de la pared acabada.
  - Coloque un nivel sobre ambos extremos de los soportes (cerca y lejos de la pared), y verifique que estén nivelados el uno respecto al otro.

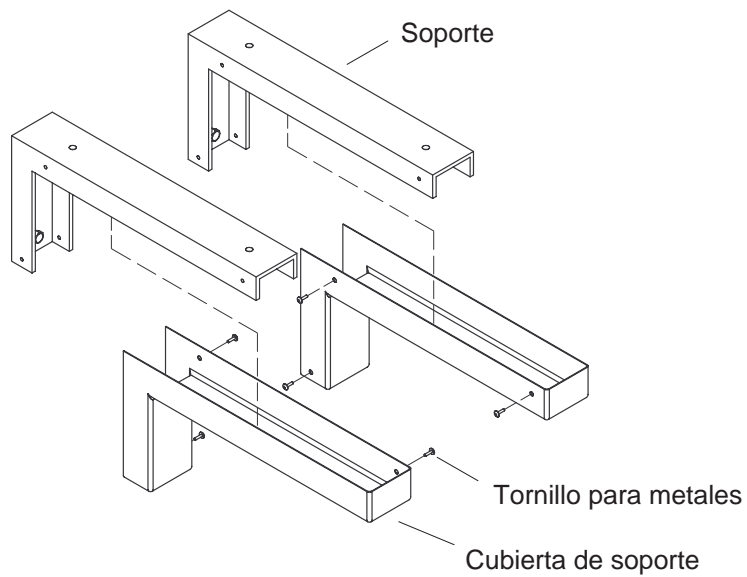
**⚠ PRECAUCIÓN: Riesgo de lesiones personales y daños al producto.** Si uno de los soportes está desnivelado respecto al otro o respecto al gabinete de montaje mural, el mostrador podría romperse. Coloque las cuñas necesarias entre el soporte y la pared.



## 7. Instale el mostrador de 72" (183cm)

**⚠ PRECAUCIÓN: Riesgo de lesiones personales.** La piedra volcánica es en extremo densa y pesada. El mostrador de 72" (182,9cm) pesa aproximadamente 200 libras (91kg). No intente levantar o instalar mostradores de piedra volcánica sin ayuda.

- Coloque el mostrador sobre los soportes o sobre el gabinete o tocador de montaje mural.
- Gabinete o tocador de montaje mural:** Utilice sellador vulcanizado a temperatura ambiente (no incluido) para fijar el gabinete o tocador al mostrador.  
**NOTA:** Verifique que la superficie del gabinete o del tocador esté limpia y seca.
- Soportes:** alinee los insertos roscados en la base del mostrador con los orificios correspondientes en los soportes.
- Fije el mostrador a los soportes con los pernos y arandelas incluidos.
- Prosiga al Paso 8.



## 8. Instale las cubiertas de soporte

- Coloque las cubiertas sobre los soportes.

**NOTA:** Asegúrese de emplear la cubierta de soporte correcta (derecha o izquierda). Los orificios de los tornillos deben estar orientados hacia adentro.

- Asegure las cubiertas a los soportes con los tornillos para metal incluidos.

## 9. Instale el lavabo (de ser el caso)

- Instale el lavabo de acuerdo a las instrucciones correspondientes.



USA: 1-800-4-KOHLER  
Canada : 1-800-964-5590  
Mexico: 001-877-680-1310  
[kohler.com](http://kohler.com)

THE BOLD LOOK  
OF **KOHLER**®

©2002 Kohler Co.

1012594-2-B