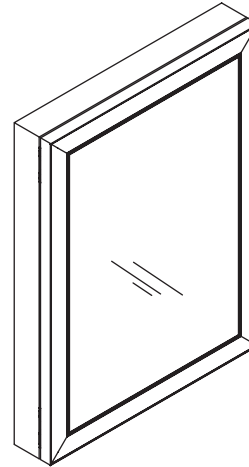




Features

- Anodized aluminum cabinet box will not rust
- Wood frame
- For recessed or surface-mount installation
- Mirror on front of door, back of door, and interior back of cabinet
- Two adjustable 1/4" (6 mm) glass shelves for customized storage
- Includes mounting hardware and side mirror kit
- Left or right-hand hinge option for door
- Two-way adjustable hinges with 110° opening capability
- 20" (50.8 cm) x 26" (66 cm) x 5-3/8" (13.7 cm)

MIRRORED CABINET K-2967



Codes/Standards Applicable

Specified model meets or exceeds the following:

- None applicable

Colors/Finishes

- BR1: Oil Rubbed Bronze

Specified Model

Model	Description	Colors/Finishes
K-2967	Mirrored cabinet	BR1

Product Specification

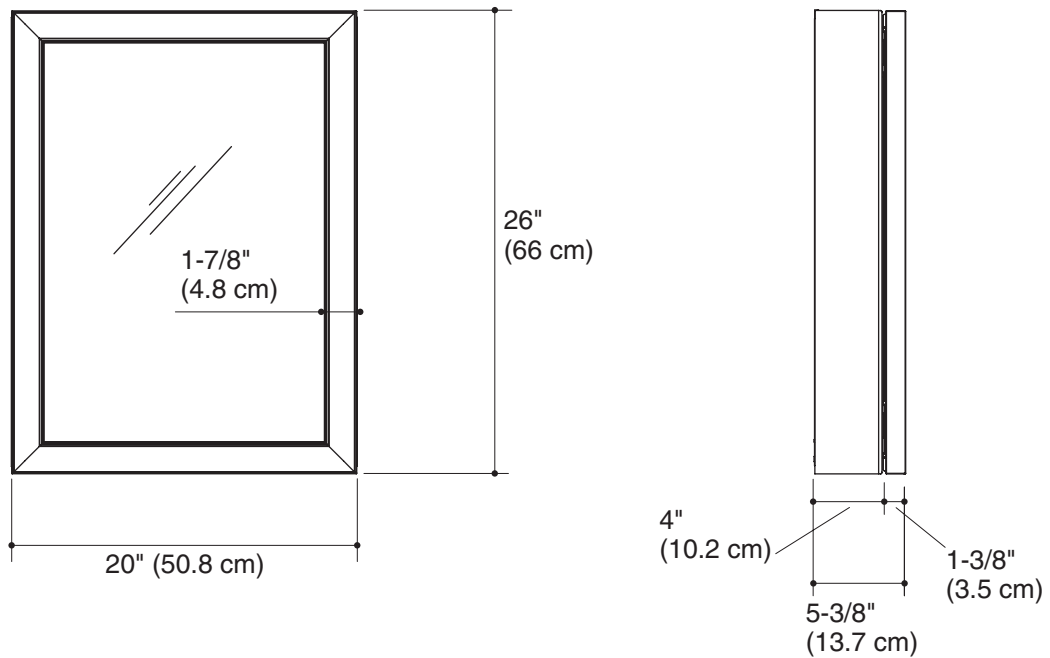
The mirrored cabinet shall be 20" (50.8 cm) in width, 26" (66 cm) in height, and 5-3/8" (13.7 cm) in depth. Product shall have an anodized aluminum cabinet box, which will not rust. Product shall have a wood frame. Product shall be for recessed or surface-mount installation. Product shall feature a mirror on front of door, back of door, and interior back of cabinet. Product shall feature a left- or right-hand hinge option for door and two-way adjustable hinges with 110° opening capability. Product shall include two adjustable 1/4" (6 mm) glass shelves for customized storage, mounting hardware, and side mirror kit. Mirrored cabinet shall be Kohler Model K-2967-BR1.

Installation Notes

Install this product according to the installation guide.

When determining the height of the mirrored cabinet, ensure the mirrored door will clear all obstacles (such as a faucet). A minimum distance of 2" (5.1 cm) is required.

Secure the screws (provided) to a stud to avoid possible property and product damage. If this is not possible, anchors (provided) must be inserted before installing the screws.



Product Diagram