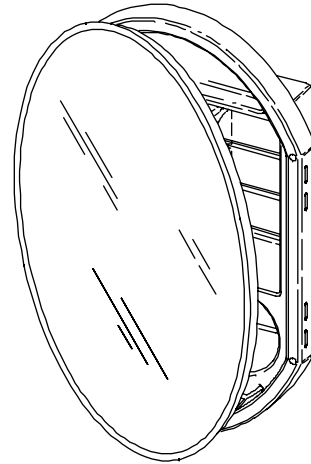




## Features

- Polystyrene cabinet
- Oval shape
- Beveled mirror on front of door
- Available with [K-2962] or without [CB-CLR-2031OW] mirror on backside of door
- Left or right swing door
- Recesses 3-3/4" (9.5 cm) into wall
- Adjustable glass shelves
- Includes mounting hardware
- 20-9/16" (52.2 cm) x 31" (78.7 cm) x 6-5/16" (16 cm)

## MIRRORED CABINET K-2962 ALSO CB-CLR-2031OW



## Codes/Standards Applicable

Specified model meets or exceeds the following:

- None applicable

## Colors/Finishes

- NA: None applicable

## Specified Model

Model	Description	Colors/Finishes
K-2962	Mirrored cabinet – beveled mirror on front of door, mirror on backside of door	<input type="checkbox"/> NA
CB-CLR-2031OW	Mirrored cabinet – beveled mirror on front of door	<input type="checkbox"/> NA

## Product Specification

The oval shaped mirrored cabinet shall have a polystyrene cabinet. Mirror shall be 20-9/16" (52.2 cm) in width, 31" (78.7 cm) in height, and 6-5/16" (16 cm) in depth. Product shall feature a beveled mirror on the front of the door. Product shall be available with [K-2962] or without [CB-CLR-2031OW] mirror on the backside of the door. Product shall feature a left or right swing door. Product shall include adjustable glass shelves and mounting hardware. Product shall recess 3-3/4" (9.5 cm) into wall. Mirrored cabinet shall be Kohler Model K-2962-NA or CB-CLR-2031OW-NA.

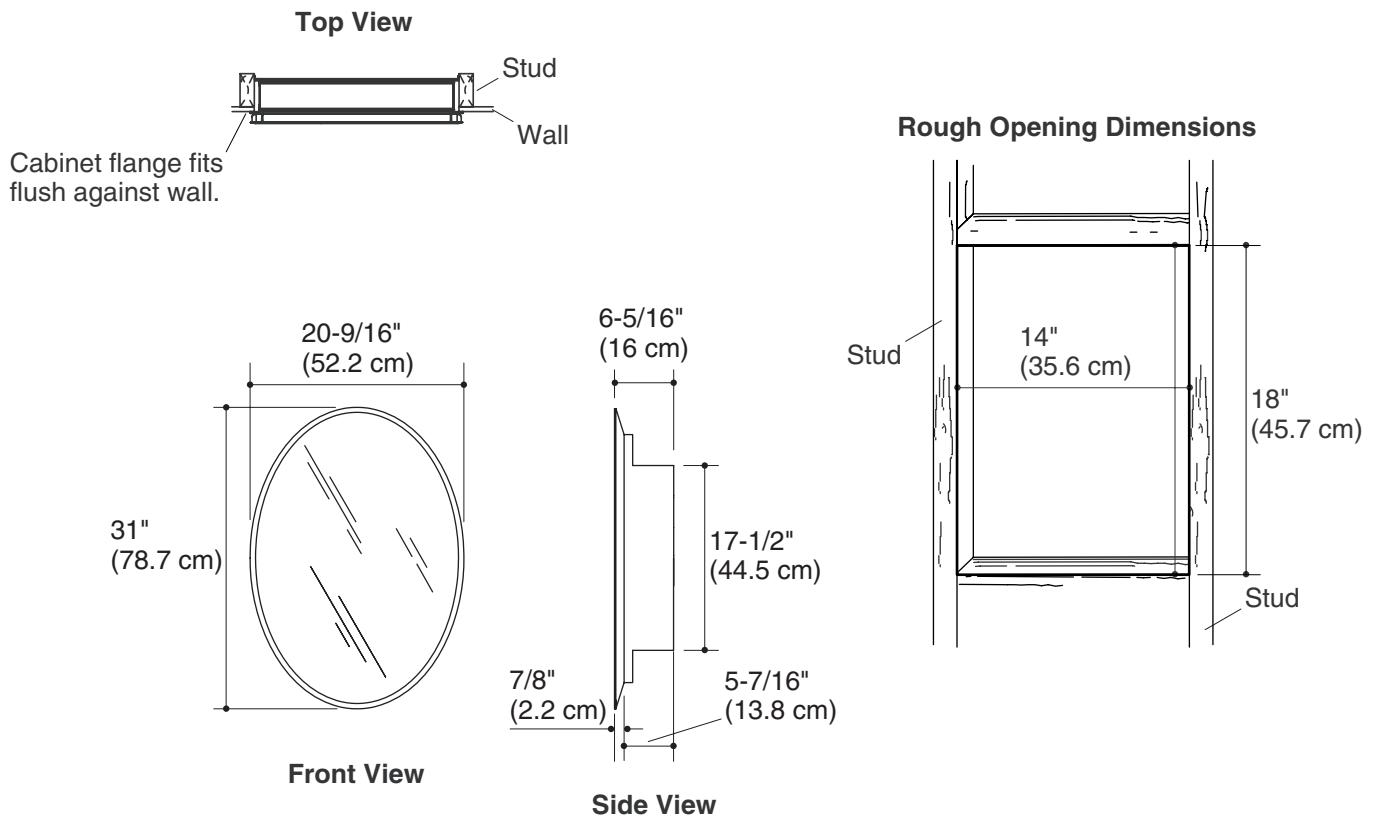
## Installation Notes

Install this product according to the installation guide.

This product must be recessed into the wall and between two studs.

When determining the height of the product, ensure the mirrored door will clear all obstacles (such as a faucet).

Secure the panhead screws (provided) to a stud to avoid possible property and product damage. If this is not possible, anchors (provided) must be inserted before installing the panhead screws.



## Product Diagram