



**Traverse®**  
Above-counter Bathroom Sink  
**K-2955**

**Features**

- Fireclay.
- Above-counter.
- Rectangular basin.
- With overflow.
- No faucet holes; requires wall-mount faucet.
- Designed for installation to the K-2517 Traverse wall-hung vanity.
- 30-1/2" (775 mm) x 21-1/2" (546 mm)

**Recommended Accessories**

K-8998 P-Trap

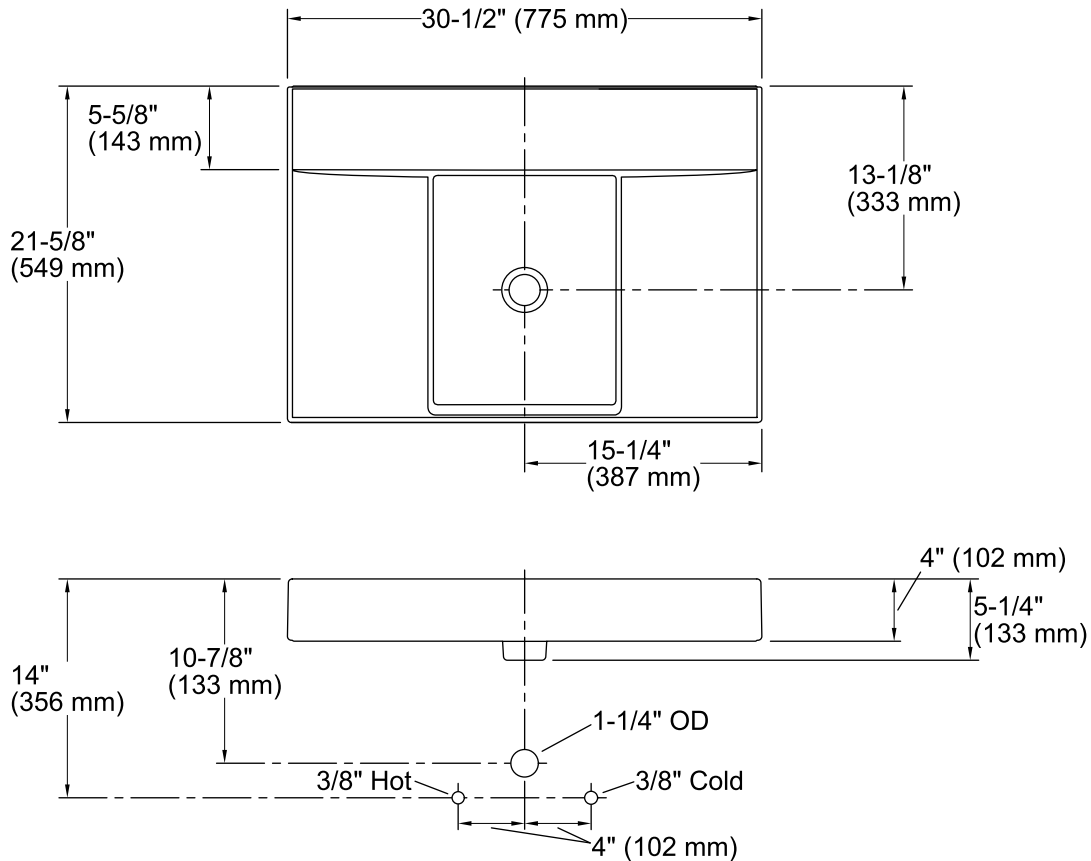


**Codes/Standards**

ASME A112.19.2/CSA B45.1

**KOHLER® One-Year Limited Warranty**

See website for detailed warranty information.



### Technical Information

All product dimensions are nominal.

Bowl configuration:	Single
Installation:	Above-counter
Bowl area (Only)	Length: 12" (305 mm) Width: 15-1/4" (387 mm) Water depth: 3" (76 mm)
Drain hole:	1-3/4" (44 mm)
Template:	1003676-7, required, included

### Notes

Install this product according to the installation instructions.

**NOTICE:** Countertop manufacturer or cutter must use the cut-out template provided with the product, or a current one provided by Kohler Co. (call 1-800-4KOHLER). Kohler Co. is not responsible for cutout errors when incorrect cut-out template is used.

**NOTE:** This bathroom sink is also designed for installation to the K-2517 vanity.