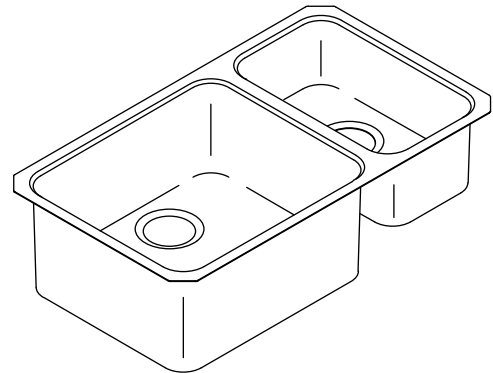


### Features

- 18-gauge stainless steel
- Includes installation hardware
- Under-mount
- Squared bowl(s)
- Double (high/low) bowl
- 29-1/4" (743 mm) x 15-3/4" (400 mm)
- 7-1/2" (191 mm) deep left bowl and 5-1/2" (140 mm) deep right bowl (K-3352)
- 5-1/2" (140 mm) deep left bowl and 7-1/2" (191 mm) deep right bowl (K-3352-L)

### UNDER-MOUNT KITCHEN SINK K-3352 ALSO K-3352-L



### Codes/Standards Applicable

Specified model meets or exceeds the following:

- ASME A112.19.3/CSA B45.4

### Colors/Finishes

- NA: None applicable

### Accessories

- CP: Polished Chrome
- 0: White
- NA: None applicable
- Other: Refer to Price Book for additional colors/finishes

### Specified Model

Model	Description	Colors/Finishes
K-3352	Under-mount sink with 7-1/2" (191 mm) deep left bowl and 5-1/2" (140 mm) deep right bowl	<input type="checkbox"/> NA
K-3352-L	Under-mount sink with 5-1/2" (140 mm) deep left bowl and 7-1/2" (191 mm) deep right bowl	<input type="checkbox"/> NA

Optional Accessories			
K-3277	Wire basket (for large bowl)	<input type="checkbox"/> 0	<input type="checkbox"/> Other_____
K-3294	Hardwood cutting board (for large bowl)	<input type="checkbox"/> NA	
K-8801	Duostrainer® sink strainer	<input type="checkbox"/> CP	<input type="checkbox"/> Other_____

### Product Specification

The under-mount sink shall be 29-1/4" (743 mm) in length and 15-3/4" (400 mm) in width. Sink shall be made of 18-gauge stainless steel. Sink shall be double (high/low) squared bowl. Kohler Model K-3352 sink shall have 7-1/2" (191 mm) deep left bowl and 5-1/2" (140 mm) deep right bowl. Kohler Model K-3352-L sink shall have 5-1/2" (140 mm) deep left bowl and 7-1/2" (191 mm). Sink shall include installation hardware. Sink shall be Kohler Model K-3352-\_\_\_\_\_.

# UNDERTONE®

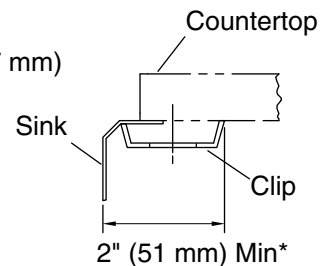
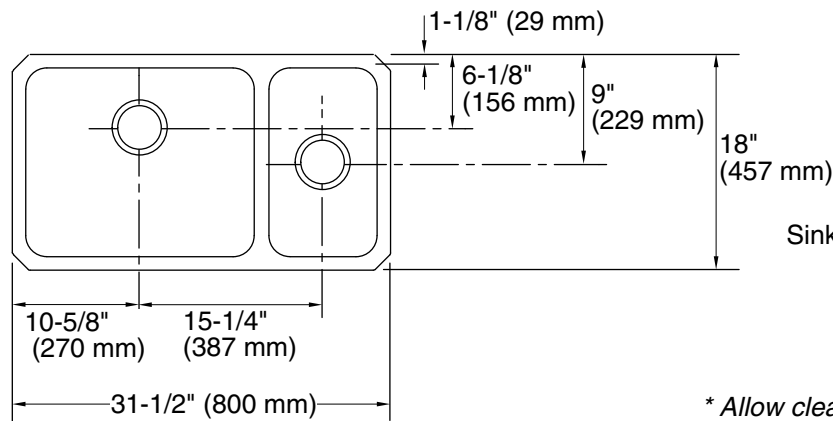
## Technical Information

Dimensions shown for K-3352; sink dimensions are opposite for K-3352-L.		
Fixture:*	Bowl area	Water depth
Sink, left	19" (483 mm) x 16" (406 mm)	7-1/2" (191 mm)
Sink, right	9" (229 mm) x 16" (406 mm)	5-1/2" (140 mm)
Drain Holes	Ø 3-5/8" (92 mm)	
* Approximate measurements for comparison only.		

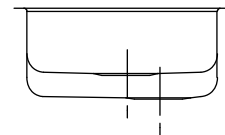
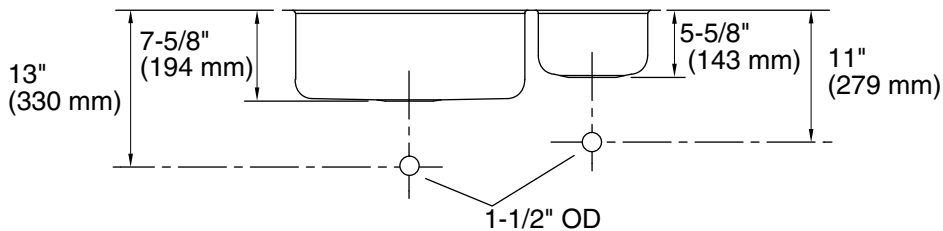
Included Components:	
Hardware kit (4 required)	91915
Cut-out template	1040556-7

## Installation Notes

Install this product according to the installation guide.



\* Allow clearance around sink rim for clip attachment.



## Product Diagram