

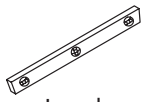
INSTALLATION

G U I D E

CAMBER™
TABLE

THE BOLD LOOK
OF **KOHLER**®

RECOMMENDED TOOLS AND MATERIALS



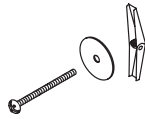
Level



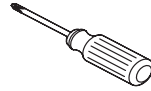
Drill



Masking
Tape



Toggle Bolt
& Wing Nut



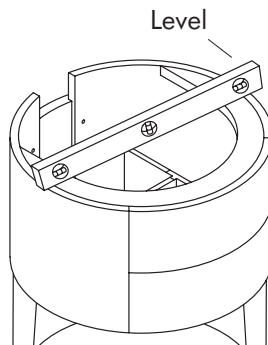
Phillips
Screwdriver

BEFORE YOU BEGIN

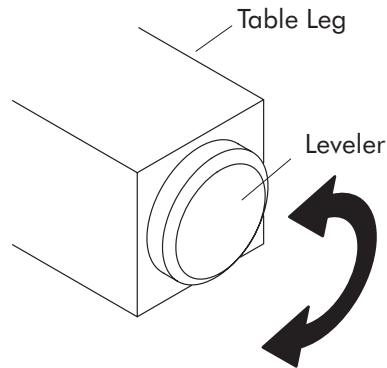
NOTE: Make sure the plumbing shut-off valves are located between the rear legs of the Table Stand. Position the plumbing as high as possible not to interfere with the round edge barrel of the table or P-trap.

Put the Camber Table in the spot where it will be mounted to the wall.

Place a level across the top of the Table Stand.



Rotate the levelers until the level indicates that the Table Stand is horizontal.
Adjust the front or back legs to level the Table Stand as needed.



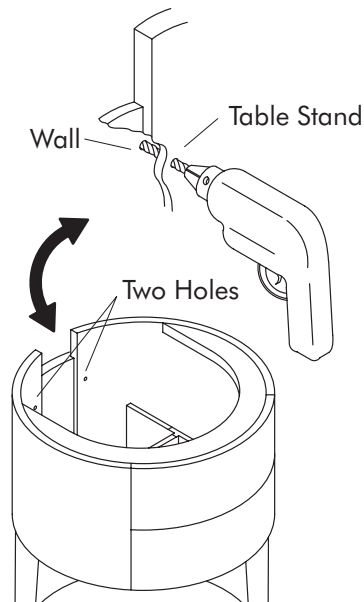
Drill two 1/4" holes through the back of the Table Stand (as indicated in the drawing) for the toggle bolts.

While drilling, make sure the drill penetrates the wall to start pilot holes for the wing nuts.

Remove the Table Stand from the wall.

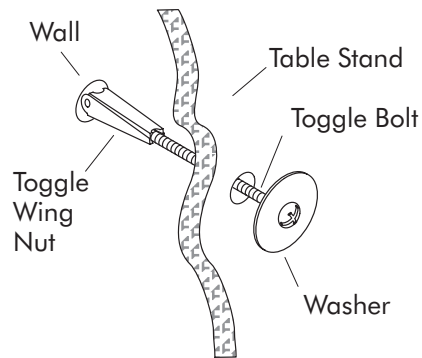
Drill two 1/2" diameter holes into the wall for the wing nuts.

NOTE: The drilled holes cannot be farther apart than the flat mounting surface on the back of the Table Stand.



Insert the toggle bolt through the washer; then through the drilled hole in the Table Stand.

Spin the toggle wing nut onto the tip of the toggle bolt. Position the Table Stand back up against the wall, compress the toggle wing nut and push it through the hole in the wall until it expands behind the wall.



Pulling back on the toggle bolt, turn in the screw. Use a screwdriver for the final tightening.

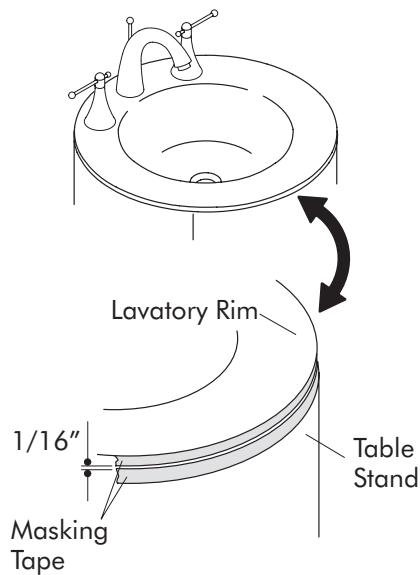
Install the faucet onto the lavatory.

Set the lavatory into the Table Stand.

Make all the plumbing connections (water and P-trap).

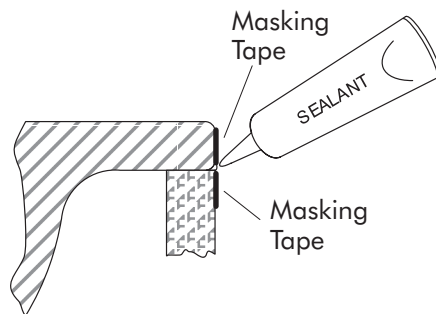
Apply masking tape all the way around the outer edge of the lavatory rim.

Apply masking tape all the way around the Table Stand, 1/16" below the upper edge, on the outside of the Table Stand.



Apply RTV adhesive around the Table Stand in between the two pieces of tape.

Smooth the joint with a round object. Remove tape from both surfaces. Let application stand 24 hours before using.



CALL US FOR HELP

Questions? Problems? First review the installation instructions to ensure correct installation. For additional assistance in the USA, call our Customer Service Department for direct help. You may also contact us at our web site listed below.

1-800-4-KOHLER

THE BOLD LOOK
OF **KOHLER**[®]
www.kohlerco.com