

Features

- 18-7/16" x 15-3/8" (46.8 cm x 39.1 cm)
- KOHLER cast iron
- Undercounter or tile-in
- ADA compliant

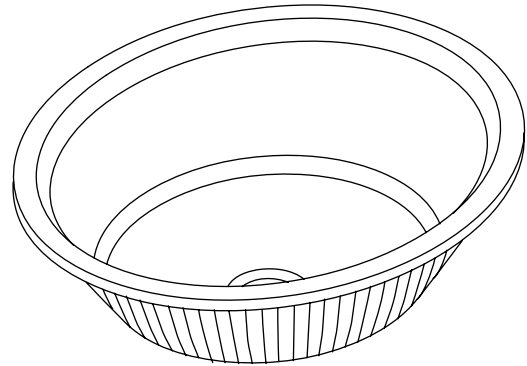
UNDERCOUNTER/TILE-IN LAVATORY K-2816-P5

ADA

Codes/Standards Applicable

Specified model meets or exceeds the following:

- ADA
- ASME A112.19.1
- CABO/ANSI A117.1
- IAPMO/UPC
- CSA B45
- Listed in State of Massachusetts



Colors/Finishes

- 0: White
- Other: Refer to Price Book for additional colors/finishes

Accessories:

- CP: Polished Chrome
- Other: Refer to Price Book for additional colors/finishes

Specified Model

Model	Description	Colors/Finishes	
K-2816-P5	Undercounter/tile-in lavatory	<input type="checkbox"/> 0 White	<input type="checkbox"/> Other _____
Required Accessories			
K-7702	Drain	<input type="checkbox"/> CP	<input type="checkbox"/> Other _____
Recommended Accessories			
K-9018	P-trap	<input type="checkbox"/> CP	<input type="checkbox"/> Other _____

Product Specification

The undercounter lavatory shall be 18-7/16" (46.8 cm) in length, and 15-3/8" (39.1 cm) in width. Lavatory shall be made of cast iron. Lavatory shall be ADA compliant. Lavatory shall be Kohler Model K-2816-P5 _____-_____.

IRON FLUTE™

Technical Information

ADA compliant:		
Fixture:*	basin area	water depth
Lavatory	16" x 13" (40.6 cm x 33 cm)	5-3/8" (13.7 cm)
Drain hole	1-3/4" (4.4 cm) D.	
* Approximate measurements for comparison only.		
Included Components:		
Cut-out template	1001787-7	

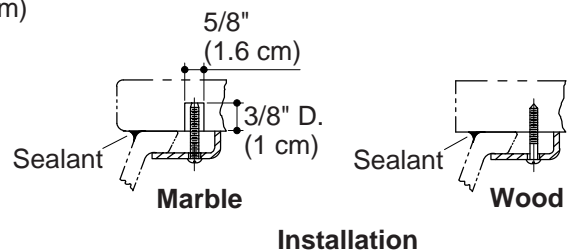
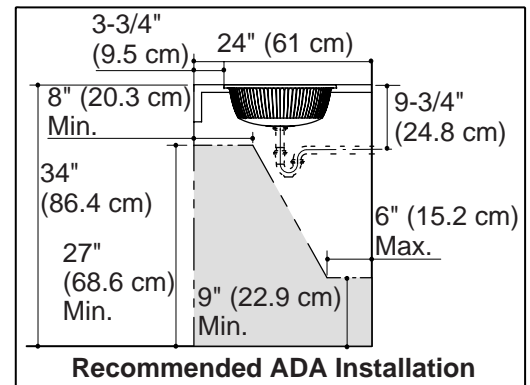
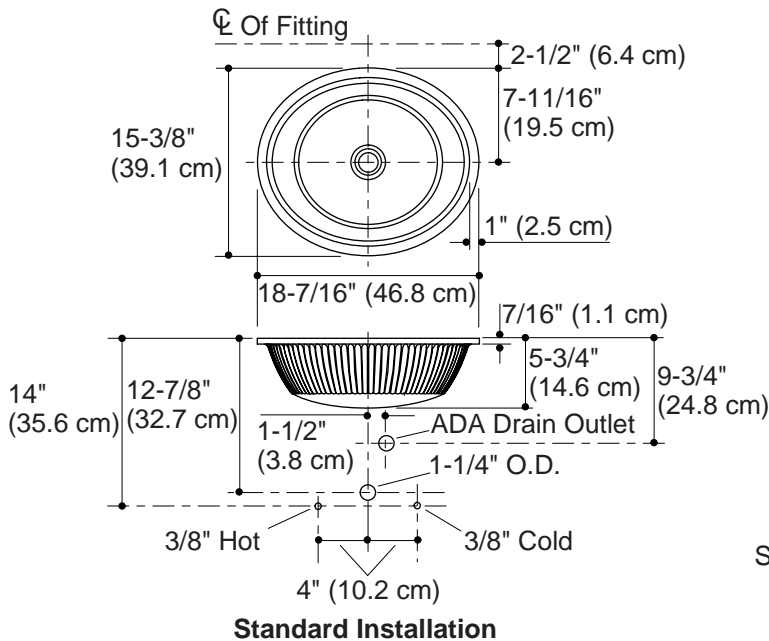
Installation Notes

Install this product according to the installation guide.

Fixture dimensions are nominal and conform to tolerances in ASME Standard A112.19.1.

Supplied basin clamp assemblies require 1" (2.5 cm) minimum countertop thickness. Installer must supply anchors for thinner countertops.

Lavatories without faucet hole drilling require wall-mount faucet with 7" (17.8 cm) min. spout length.



Product Diagram