

Features

- Catalyzed polyurethane provides a durable moisture-resistant finish.
- Self-close, adjustable doors.
- Backsplash helps prevent water damage.
- Includes decorative hardware.
- Combination consists of vanity with stone top and Caxton under-mount sink.
- Coordinates with other Evandale products.

Material

- Solid wood and veneers with stone countertop.

Recommended Accessories

K-8998 P-Trap

Optional Accessories

K-2746 Mirror



Codes/Standards

CARB P2




KOHLER® One-Year Limited Warranty

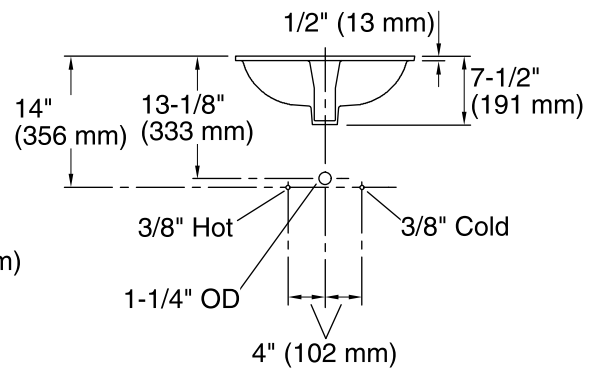
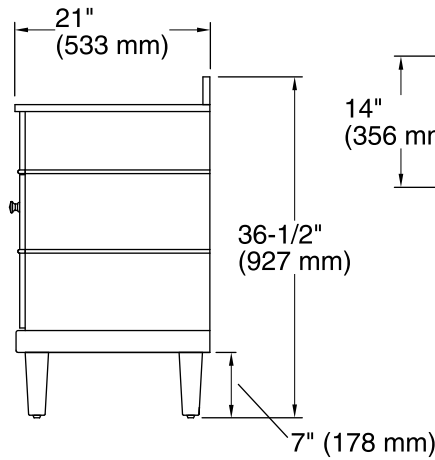
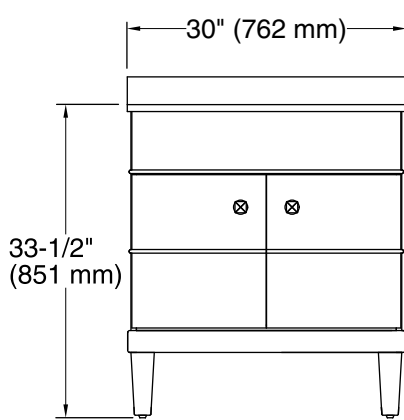
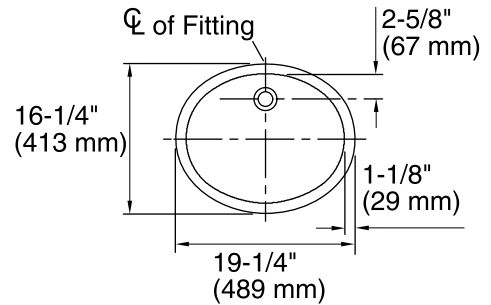
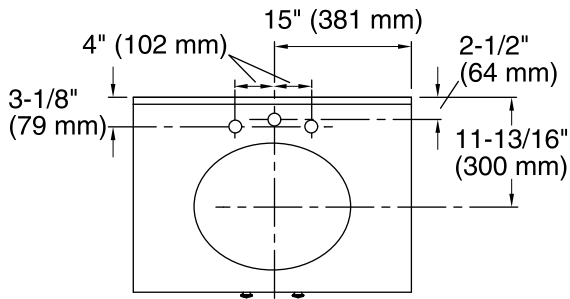
See website for detailed warranty information.

Available Color/Finishes

Color tiles intended for reference only.

Color	Code	Description
-------	------	-------------

	F44	Lily
	F25	Sapele
	F80	Cocoa



Technical Information

All product dimensions are nominal.

Notes

Install this product according to the installation guide.

Select the type of fastener based on the wall material. A minimum 500 lb (227 kg) load bearing fastener is recommended.