

### Features

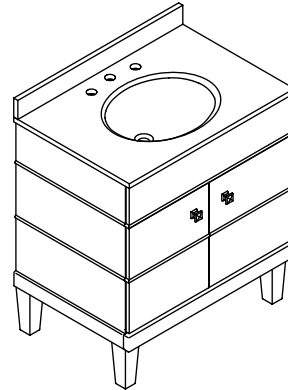
- Combination unit – vanity with stone top and lavatory
- Mahogany veneers (F25 Sapele finish)
- Painted substrate (F44 Lily finish)
- Birch veneers (F80 Cocoa finish)
- Lily finish or Cocoa finish with white lavatory (K-2210), Sapele finish with black lavatory (K-2210)
- Self-close adjustable door(s)
- Rear leg allows placement away from the baseboard (adjustable location)
- 30" (76.2 cm) x 21" (53.3 cm) x 33-1/2" (85.1 cm)

### Codes/Standards Applicable

Specified model meets or exceeds the following:

- ATCM Sec. 93120-93120.12, Title 17, CA. Code of Regulations
- CARB P2

### VANITY WITH STONE TOP AND LAVATORY K-2732



### Colors/Finishes

- F25: Sapele
- F44: Lily
- F80: Cocoa

### Accessories

- CP: Polished Chrome
- F25: Sapele
- F44: Lily
- F80: Cocoa
- GR1: Grey
- NA: None applicable

### Specified Model

Model	Description	Colors/Finishes		
K-2732	Vanity with stone top and lavatory - 30" (76.2 cm)	<input type="checkbox"/> F25	<input type="checkbox"/> F44	<input type="checkbox"/> F80
Recommended Accessories				
K-8998	Adjustable P-Trap	<input type="checkbox"/> CP		

### Product Specification

Vanity shall be combination unit – vanity with stone top and lavatory. The vanity shall be 30" (76.2 cm) in width and 21" (53.3 cm) in depth, and 33-1/2" (85.1 cm) in height. Vanity shall be made of mahogany veneers (F25 Sapele finish), or painted substrate (F44 Lily finish), or birch veneers (F80 Cocoa finish). Vanity shall have Lily finish or Cocoa finish with white lavatory (K-2210) or a Sapele finish with black lavatory (K-2210). Vanity shall have rear leg, which allows placement away from the baseboard (adjustable location) and self-close adjustable door(s). Vanity shall be Kohler Model K-2732-\_\_\_\_\_.

# EVANDALE™

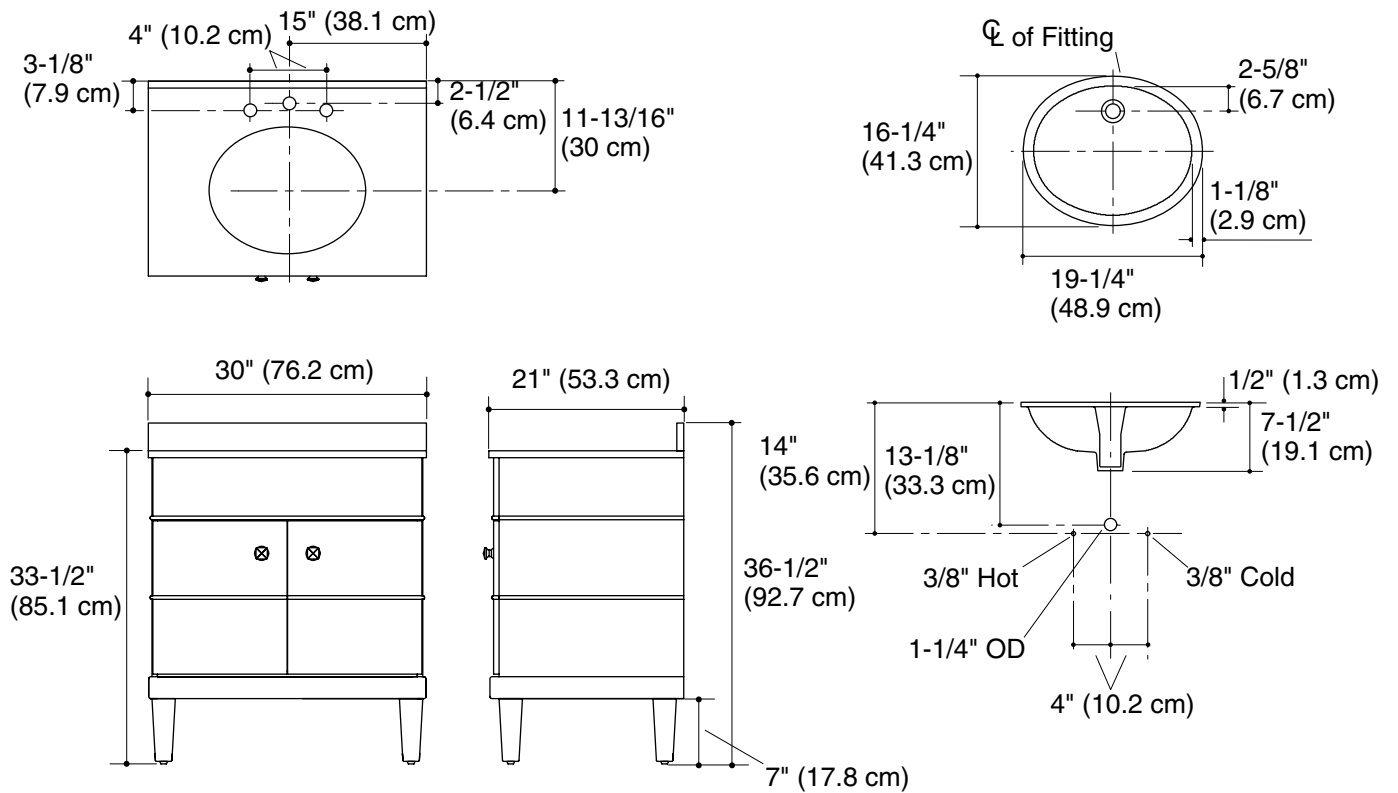
Recommended Accessories					
K-2746	Mirror	<input type="checkbox"/> F25	<input type="checkbox"/> F44	<input type="checkbox"/> F80	
K-2970	Mirror cabinet			<input type="checkbox"/> GR1	<input type="checkbox"/> NA

## Installation Notes

Install this product according to the installation guide.

Decorative cabinet hardware is supplied. Refer to the Kohler bath accessories line for additional decorative cabinet hardware to complement your vanity.

Select the type of fastener based on the wall material. A minimum of 500 lbs (227 kg) load bearing fastener is recommended.



## Product Diagram