



Tresham®

Tall Storage Tower

K-2684

Features

- Three-way adjustable slow-close door hinges with 100-degree opening capability for easy cabinet access.
- Two adjustable shelves.
- Includes decorative cabinet hardware.
- Combines with the K-2604 Tresham vanity (sold separately) for increased storage space.
- Coordinates with other products in the Tresham collection.

Material

- Rich Woodland finish resists moisture, scratches, and stains.

Recommended Accessories

K-2604 Vanity

Optional Accessories

K-2607 Pullout Storage Bridge



Codes/Standards

CARB P2


KOHLER® One-Year Limited Warranty

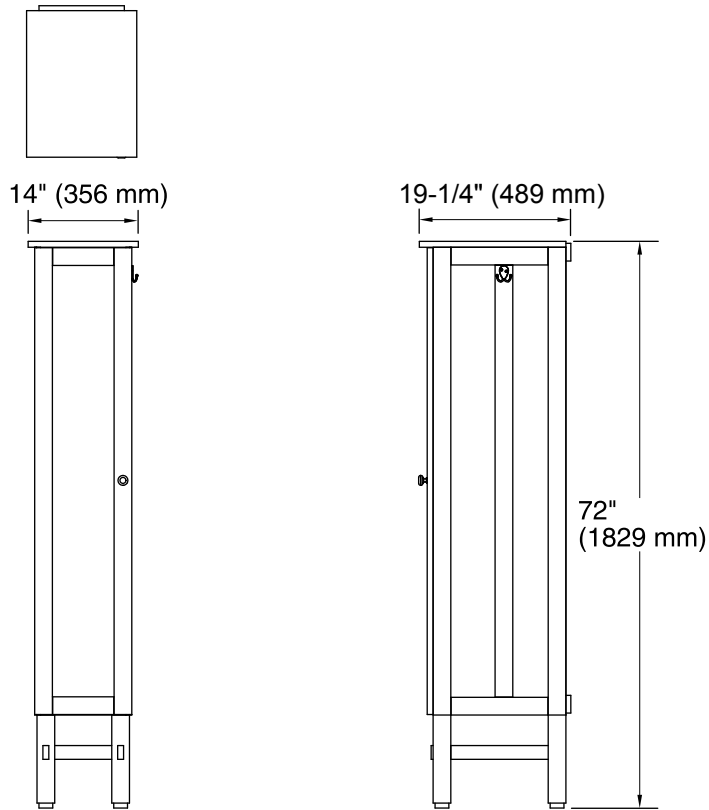
See website for detailed warranty information.

Available Color/Finishes

Color tiles intended for reference only.

| Color | Code | Description |
|-------|------|-------------|
|-------|------|-------------|

| | | |
|--------------------------------------------------------------------------------------|-----|----------|
|  | F69 | Woodland |
|--------------------------------------------------------------------------------------|-----|----------|



Technical Information

All product dimensions are nominal.

Notes

Install this product according to the installation guide.

Select the type of fastener based on the wall material. A minimum 500 lb (227 kg) load bearing fastener is recommended.