

### Features

- Catalyzed polyurethane provides a durable moisture-resistant finish.
- Double doors with adjustable hinges.
- Adjustable shelf.
- Includes cabinet hardware.
- Express™ vanities are easy to transport and set up in minutes.

### Material

- Ailanthus solids and quarter-sawn ash veneers.

### Recommended Accessories

K-2209 Bathroom Sink

K-3051-1 Vanity-top Bathroom Sink

K-3051-4 Vanity-top Bathroom Sink

K-3051-8 Vanity-top Bathroom Sink

### Optional Accessories

K-2509 Mirror



### Codes/Standards

CARB P2


### KOHLER® One-Year Limited Warranty

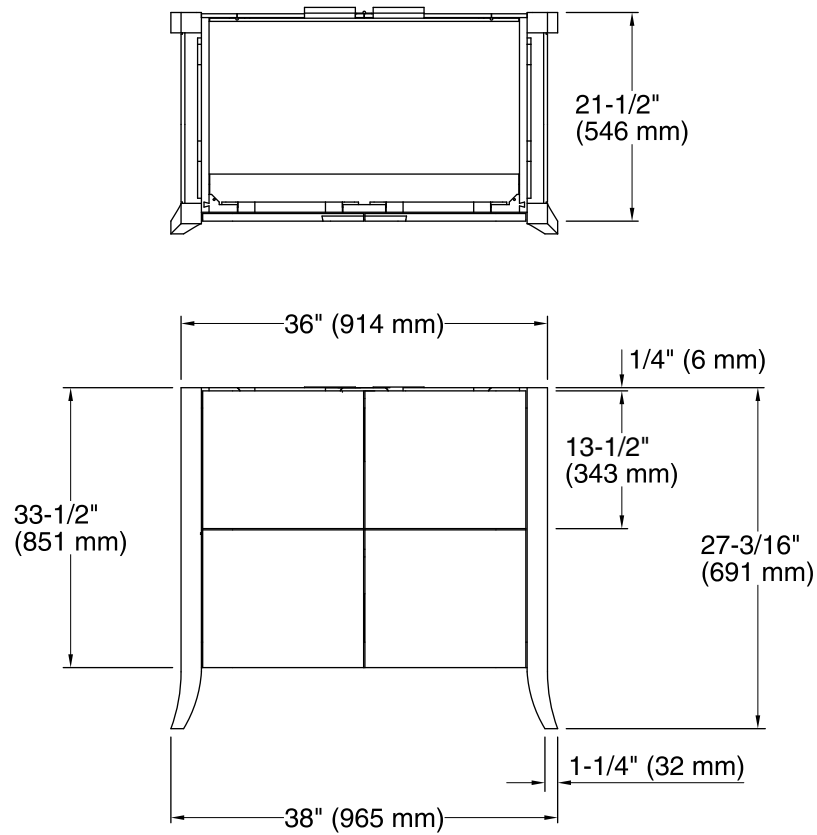
See website for detailed warranty information.

### Available Color/Finishes

*Color tiles intended for reference only.*

Color	Code	Description
-------	------	-------------

	F39	Oxford
--	-----	--------



### Technical Information

All product dimensions are nominal.

### Notes

Install this product according to the installation guide.