

Features

- Vitreous china
- Undercounter
- 20" (50.8 cm) x 14-3/16" (36 cm)

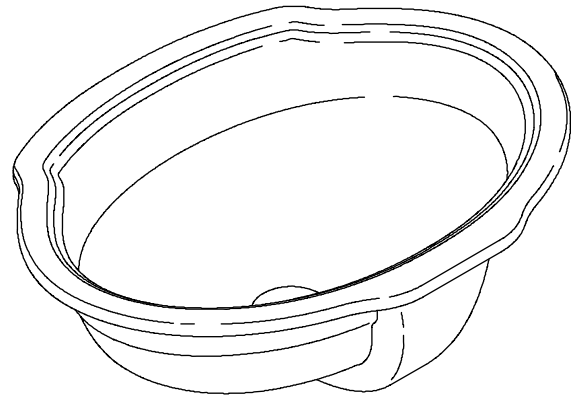
UNDERCOUNTER LAVATORY K-2341

ADA

Codes/Standards Applicable

Specified model meets or exceeds the following:

- ASME A112.19.2
- IAPMO/UPC
- CSA B45



Colors/Finishes

- 0: White
- Other: Refer to Price Book for additional colors/finishes

Accessories:

- CP: Polished Chrome
- Other: Refer to Price Book for additional colors/finishes

Specified Model

Model	Description	Colors/Finishes	
K-2341	20" (50.8 cm) x 14-3/16" (36 cm) lavatory	<input type="checkbox"/> 0 White	<input type="checkbox"/> Other_____
Recommended Accessory			
K-9018	P-trap	<input type="checkbox"/> CP	<input type="checkbox"/> Other_____

Product Specification

The undercounter lavatory shall be 20" (50.8 cm) in length, and 14-13/16" (36 cm) in width. Lavatory shall be made of vitreous china. Lavatory shall be Kohler Model K-2341-_____.

LEIGHTON™

Technical Information

Fixture:*	basin area	water depth
Lavatory	20" (50.8 cm) x 14-3/16" (36 cm)	4-11/16" (11.9 cm)
Drain hole	1-3/4" (4.4 cm) D.	
* Approximate measurements for comparison only.		

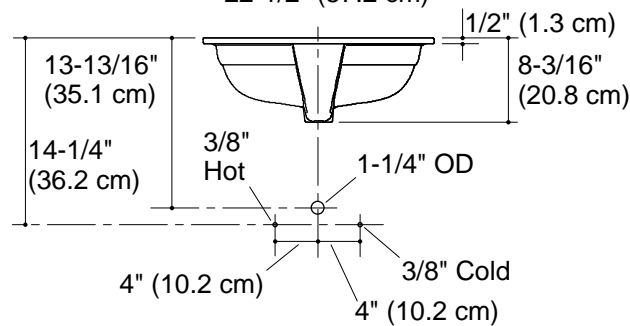
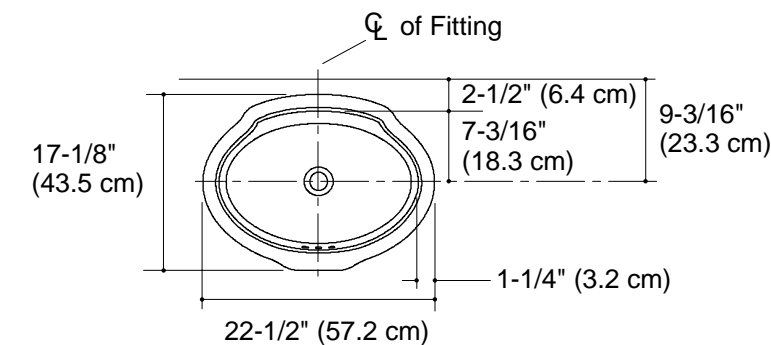
Included Components:	
Basin clamp assembly	52047
Adjustable linkage	40372
Cut-out template	1031349-7

Installation Notes

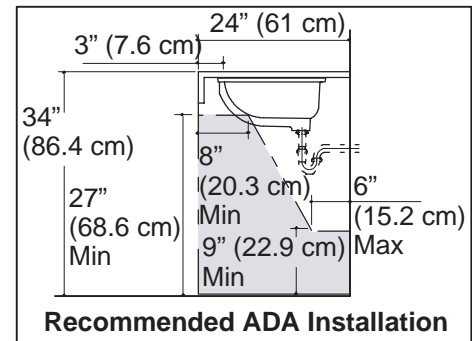
Install this product according to the installation guide.

Supplied basin clamp assemblies require 1" (2.5 cm) minimum countertop thickness. Installer must supply anchors for thinner countertops.

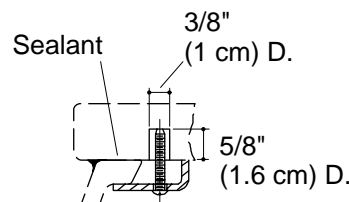
NOTICE: Countertop manufacturer or cutter must use the cut-out template provided with the product or a current one provided by Kohler (call 1-800-4-KOHLER). Kohler is not responsible for cut-out errors when an incorrect cut-out template is used.



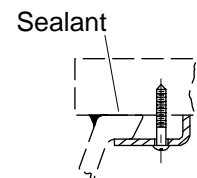
Standard Installation



Recommended ADA Installation



Marble



Wood

Installation

Product Diagram