

DEVONSHIRE™

Features

- Vitreous china
- Undercounter
- Includes 52047 clamp assembly
- 18-1/8" (46 cm) x 14" (35.6 cm)

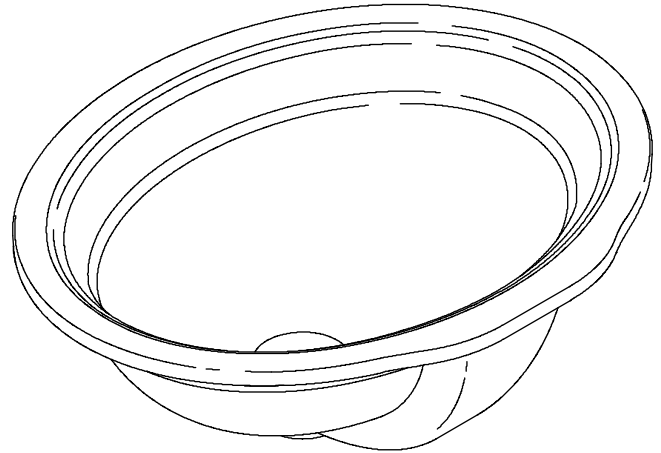
UNDERCOUNTER LAVATORY K-2336

ADA

Codes/Standards Applicable

Specified model meets or exceeds the following:

- ASME A112.19.2
- IAPMO/UPC
- CSA International



Colors/Finishes

- 0: White
- Other: Refer to Price Book for additional colors/finishes

Accessories:

- CP: Polished Chrome
- Other: Refer to Price Book for additional colors/finishes

Specified Model

Model	Description	Colors/Finishes	
K-2336	18-1/8" (46 cm) x 14" (35.6 cm) Lavatory	<input type="checkbox"/> 0 White	<input type="checkbox"/> Other_____
Recommended Accessory			
K-9018	P-Trap	<input type="checkbox"/> CP	<input type="checkbox"/> Other_____

Product Specification

The undercounter lavatory shall be 18-1/8" (46 cm) in length, and 14" (35.6 cm) in width. Lavatory shall be made of vitreous china. Lavatory shall include 52047 clamp assembly. Lavatory shall be Kohler Model K-2336-_____.

DEVONSHIRE™

Technical Information

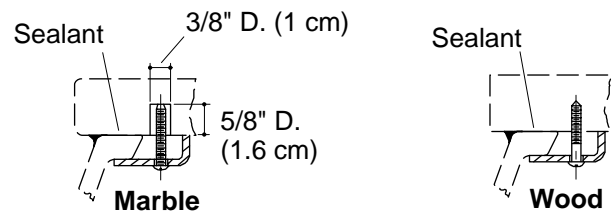
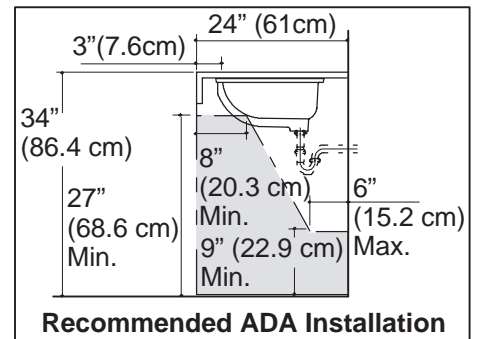
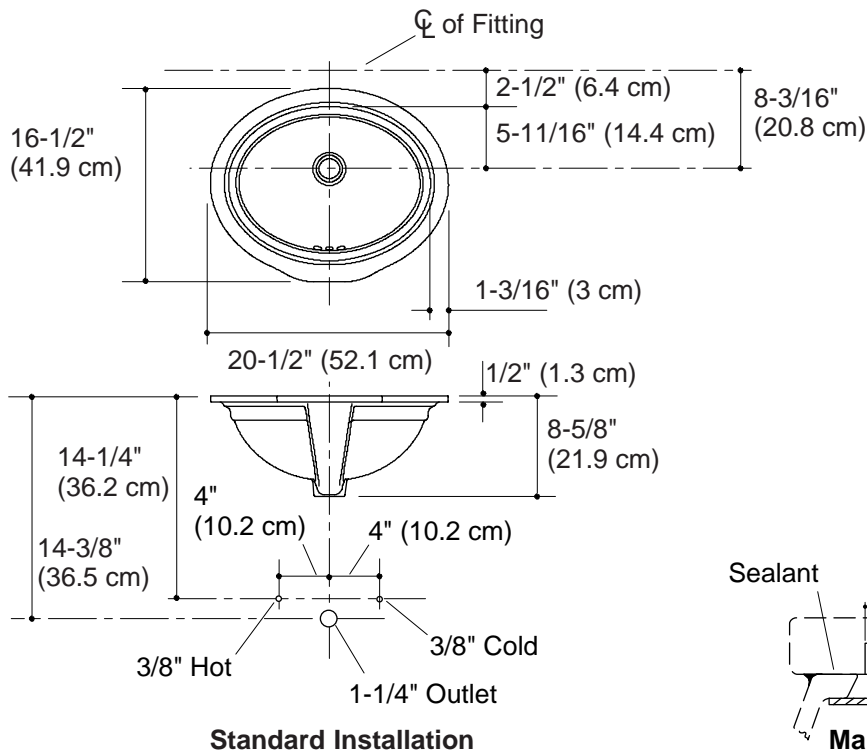
Fixture:*		basin area	water depth
Lavatory		18-1/8" (46 cm) x 14" (35.6 cm)	4-3/16" (10.6 cm)
Drain hole	1-3/4" D. (4.4 cm)		
* Approximate measurements for comparison only.			
Included Components:			
Basin clamp assembly		52047	
Cutout template		1040750-7	

Installation Notes

Install this product according to the installation guide.

Supplied basin clamp assemblies require 1" (2.5 cm) minimum countertop thickness. Installer must supply anchors for thinner countertops.

NOTICE: Countertop manufacturer or cutter must use the cutout template provided with the product, or a current one provided by Kohler (call 1-800-4-KOHLER). Kohler is not responsible for cutout errors when incorrect cutout template is used.



Installation

Product Diagram

DEVONSHIRE™ UNDERCOUNTER LAVATORY

Page 2 of 2
1031347-4-C

THE BOLD LOOK
OF **KOHLER**®