

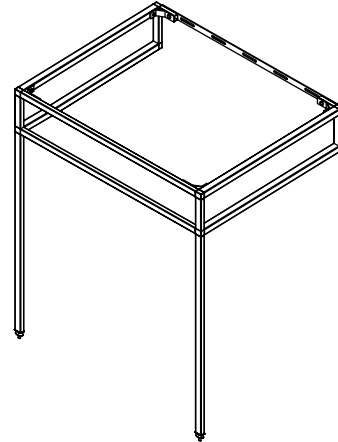
Features

- Steel tube construction
- Durable silver metallic powder coated finish
- Contemporary styling
- 24" (61 cm) x 21-1/2" (54.6 cm) x 31-1/2" (80 cm)

Codes/Standards Applicable

Specified model meets or exceeds the following:

- None applicable



Colors/Finishes

- F64: Urban Portico

Accessories

- 0: White
- Other: Refer to Price Book for additional colors/finishes

Specified Model

Model	Description	Colors/Finishes
K-2526	Console table – 24" (61 cm) width	<input type="checkbox"/> F64
Recommended Basin		
K-2956	Persuade lavatory	<input type="checkbox"/> 0 <input type="checkbox"/> Other ____

Product Specification

The console table shall be 24" (61 cm) in width, 21-1/2" (54.6 cm) in depth, and 31-1/2" (80 cm) in height. Product shall be made of steel tube construction. Product shall have a durable silver metallic powder coated finish. Product shall feature contemporary styling. Console table shall be Kohler Model K-2526-_____.

PERSUADE®

Installation Notes



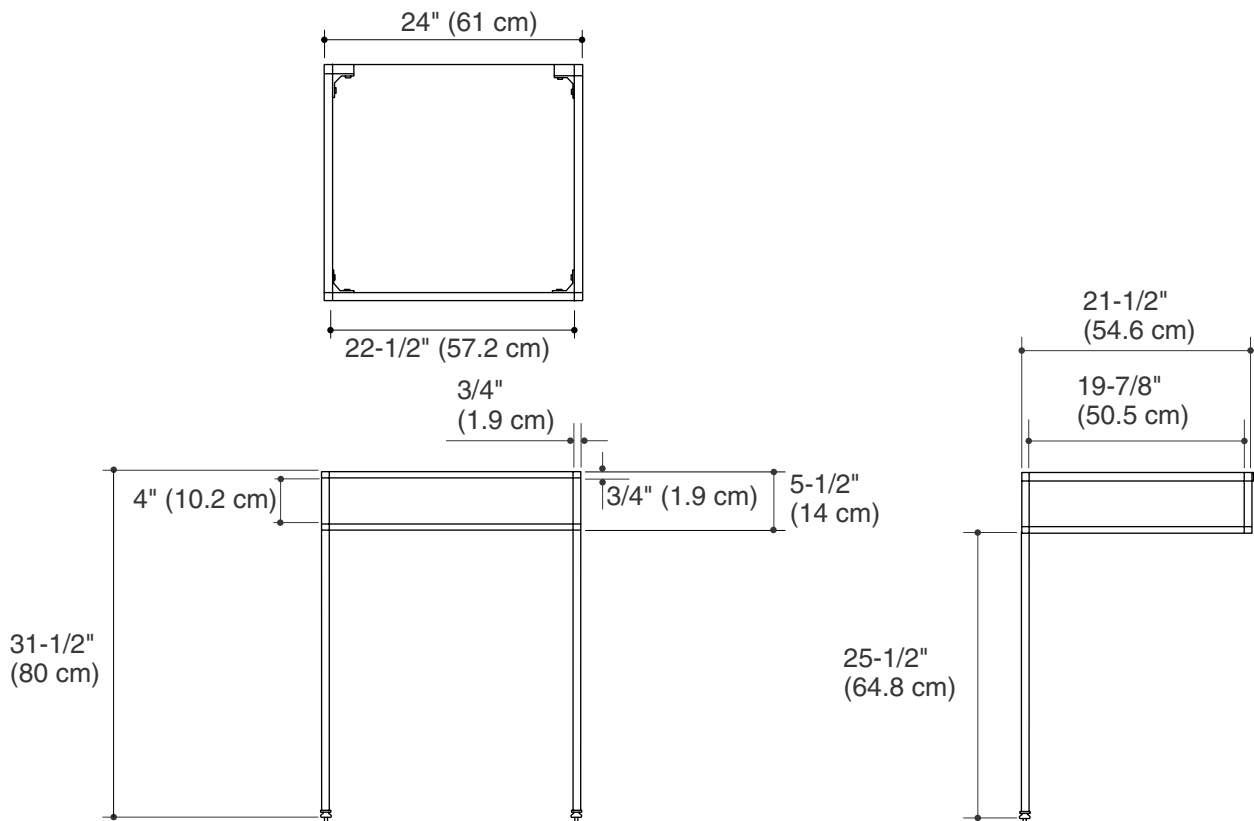
WARNING: Risk of property damage. Select 250 lbs (113.4 kg) load bearing lag bolts with a length that can safely clear any obstacles in the wall. Calculate the proper length of the lag bolts by adding the following: 1-1/2" (3.8 cm) bracing + wall board thickness + bracket thickness.



WARNING: Risk of property damage. To properly secure the vanity, drilling into the floor is required. Ensure drilling into the floor will not damage obstacles beneath the floor, such as heating panels, mats, or cables.

Install this product according to the installation guide.

Two 3/8" holes must be drilled 3/4" (1.9 cm) into the floor to properly secure the console table legs.



Product Diagram