

Features

- Catalyzed polyurethane provides a durable moisture-resistant finish.
- Double doors with adjustable hinges.
- Adjustable shelf.
- Includes cabinet hardware.
- Express™ vanities are easy to transport and set up in minutes.

Material

- Ailanthus solids and quarter-sawn ash veneers.

Recommended Accessories

- K-2209 Bathroom Sink
- K-2955 Above-counter Bathroom Sink
- K-14031-BU Bathroom Vanity Top
- K-14032-BU Bathroom Vanity Top
- K-14033-BU Bathroom Vanity Top
- K-2955-1 Above-counter Bathroom Sink
- K-2955-4 Above-counter Bathroom Sink
- K-2955-8 Above-counter Bathroom Sink
- K-3049-1 Vanity-top Bathroom Sink
- K-3049-4 Vanity-top Bathroom Sink
- K-3049-8 Vanity-top Bathroom Sink

Optional Accessories

- K-2509 Mirror



Codes/Standards

CARB P2


KOHLER® One-Year Limited Warranty

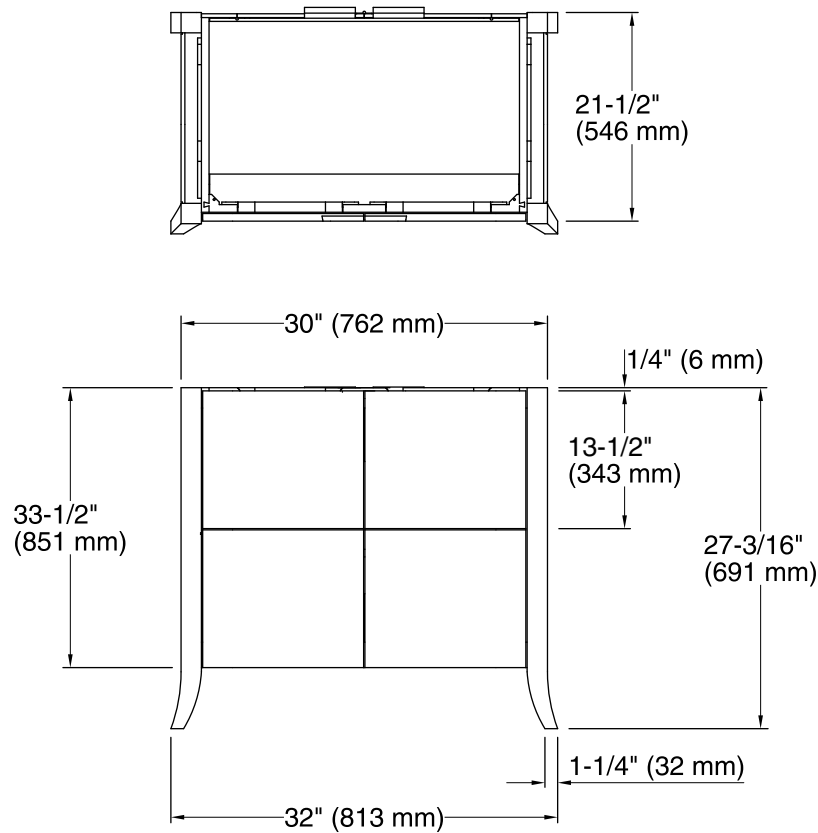
See website for detailed warranty information.

Available Color/Finishes

Color tiles intended for reference only.

| Color | Code | Description |
|-------|------|-------------|
|-------|------|-------------|

| | | |
|--|-----|--------|
|  | F39 | Oxford |
|--|-----|--------|



Technical Information

All product dimensions are nominal.

Notes

Install this product according to the installation guide.