

MIRROR K-2460

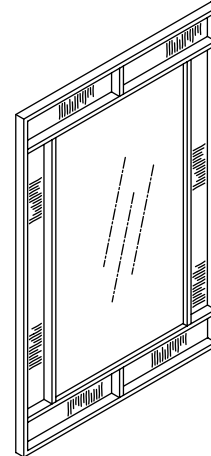
Features

- Mahogany and bamboo solids and veneers
- Catalyzed polyurethane finish
- Includes hanger for wall-mount installation
- Complements the Mersing™ vanity
- 24" (61 cm) x 36" (91.4 cm)

Codes/Standards Applicable

Specified model meets or exceeds the following:

- None applicable



Colors/Finishes

- F10: Burnet

Specified Model

Model	Description	Colors/Finishes
K-2460	Mirror	<input type="checkbox"/> F10
Recommended Accessory		
K-2459	Vanity, 36" (91.4 cm) length	<input type="checkbox"/> F10

Product Specification

The mirror shall be 24" (61 cm) in width and 36" (91.4 cm) in height. Mirror frame shall be made of mahogany and bamboo solids and veneers. Mirror frame shall have a catalyzed polyurethane finish. Mirror shall include a hanger for wall-mount installation. Mirror shall complement the Mersing vanity. Mirror shall be Kohler Model K-2460-_____.

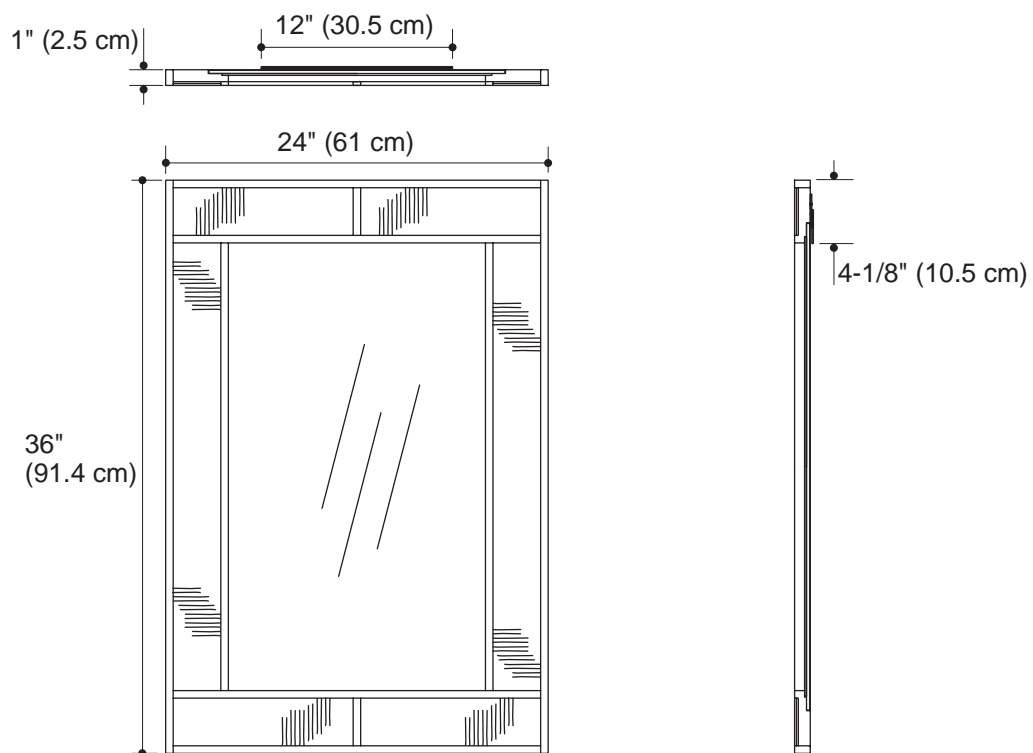
MERSING™

Installation Notes

Install this product according to the installation guide.

Select the type of fastener based on the wall material. A minimum 20 lb (9.07 kg) load bearing fastener is recommended.

Install the fastener to a stud to avoid possible property and product damage.



Product Diagram