

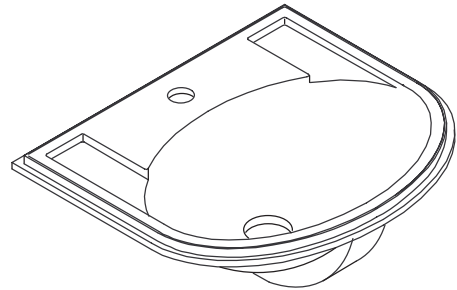
#### FEATURES

- 19-3/4" (50.2cm) x 16-7/8" (42.9cm)
- Vitreous China
- Self-rimming
- 8" (20.3cm) centers (-8), 4" (10.2cm) centers (-4), or single-hole (-1)
- With overflow

#### CODES/STANDARDS APPLICABLE

Specified model meets or exceeds the following:

- ASME/ANSI A112.19.2M



#### COLORS/FINISHES

- 0 White
- Other Refer to Fixtures Price Book for additional colors

#### Accessories:

- CP Polished Chrome
- Other Refer to Faucets Price Book for additional finishes

#### SPECIFIED MODEL:

Model	Description	Colors/Finishes	
K-2279-8	8" (20.3cm) centers lavatory	<input type="checkbox"/> 0 White	<input type="checkbox"/> Other _____
K-2279-4	4" (10.2cm) centers lavatory	<input type="checkbox"/> 0 White	<input type="checkbox"/> Other _____
K-2279-1	Single-hole lavatory	<input type="checkbox"/> 0 White	<input type="checkbox"/> Other _____

Recommended Accessories			
K-8998	Trap	<input type="checkbox"/> CP	<input type="checkbox"/> Other _____

#### PRODUCT SPECIFICATION:

The self-rimming lavatory shall be 19-3/4" (50.2cm) in length, 16-7/8" (42.9cm) in width. Lavatory shall be made of vitreous china. Lavatory shall have 8" (20.3cm) centers (-8), 4" (10.2cm) centers (-4), or single-hole (-1) drilling. Lavatory shall have overflow. Lavatory shall be Kohler Model K-2279-\_\_\_\_\_-\_\_\_\_\_.

## PRODUCT INFORMATION

Fixture*:		basin area	water depth
Lavatory		17" (43.2cm) x 11" (27.9cm)	4-1/2" (11.4cm)
Drain hole	1-3/4" D. (4.4cm)		

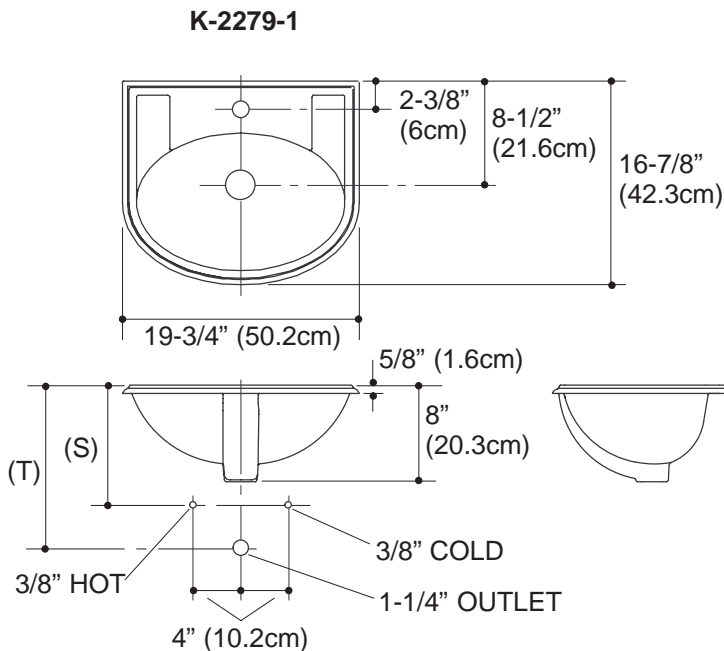
Holes	K-2279-8	K-2279-4	K-2279-1
Spout	1-3/8" D. (3.5cm)	1-1/4" D. (3.2cm)	1-3/8" D. (3.5cm)
Faucet	1-3/8" D. (3.5cm)	1-1/4" D. (3.2cm)	

Included Components:	
Adhesive sealant	63034
Cutout template	1002978-7

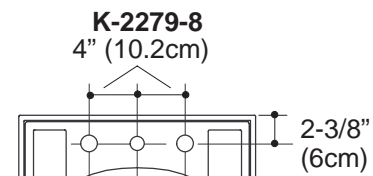
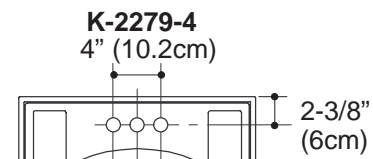
## INSTALLATION NOTES

Install this product according to the installation guide.

**NOTICE:** Countertop manufacturer or cutter **must** use the cut-out template provided with the product, or a current one provided by Kohler Co. (call 1-800-43-FOCUS). Kohler Co. is not responsible for cut-out errors when the incorrect cut-out template is used.



(T) Pop-up drain 13-5/8" (34.6cm), grid drain 12-3/4" (32.4cm).  
 (S) 10" (25.4cm) (Based on 12" (30.5cm) riser which may require cutting).



## PRODUCT DIAGRAM