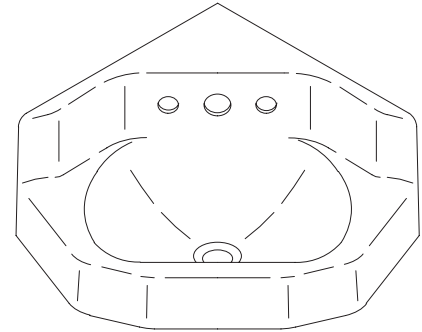


WALL-MOUNT CORNER LAVATORY

K-2766

FEATURES

- 16"(40.6cm) x 16" (40.6cm)
- Cast iron
- Wall-mount
- Shelf-back
- Corner lavatory
- Factory installed K-8040-2A Triton faucet with pop-up drain and stopper drain, aerator.
- Less K-8040-2A Triton faucet (-EH)
- With overflow



CODES/STANDARDS APPLICABLE

Specified model meets or exceeds the following:

- ASME/ANSI A112.19.1M
- IAPMO/UPC
- Canadian Standards Association (CSA)
- State of Massachusetts

COLORS/FINISHES

- 0 White
- Other Refer to Fixtures Price Book for additional colors

SPECIFIED MODEL:

Model	Description	Colors/Finishes	
K-2766	Wall-mount corner lavatory with faucet	<input type="checkbox"/> 0 White	<input type="checkbox"/> Other_____
K-2766-EH	Wall-mount corner lavatory less faucet	<input type="checkbox"/> 0 White	<input type="checkbox"/> Other_____

PRODUCT SPECIFICATION:

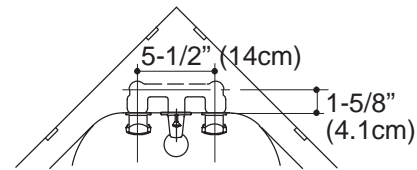
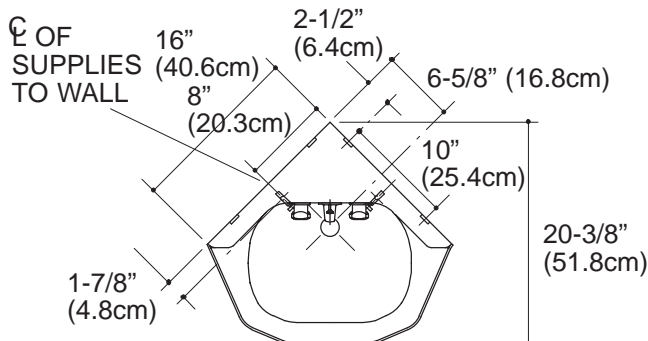
The shelf-back, corner, wall-mount lavatory shall be 16" (40.6cm) in length, and 16" (40.6cm) in width. Lavatory shall be made of cast iron. Lavatory shall have factory installed K-8040-2A Triton lavatory faucet with pop-up and stopper drain, aerator, or be less faucet (-EH). Lavatory shall have overflow. Lavatory shall be Kohler Model K-2766-_____-_____-_____.

PRODUCT INFORMATION

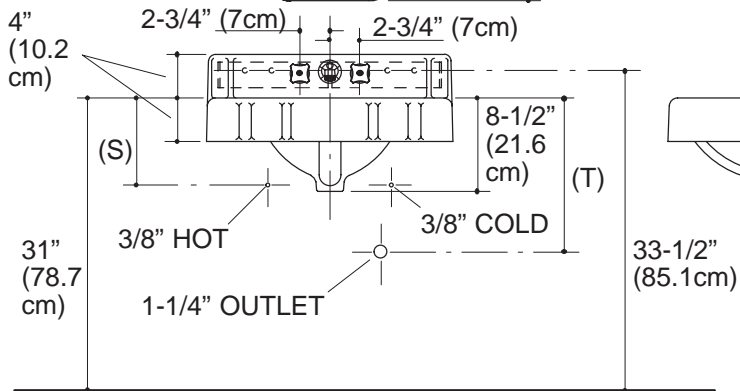
Fixture*:		basin area	water depth
Lavatory		15" (38.1cm) x 11" (28cm)	5" (12.7cm)
Outlet	1-1/16" D. (4.3cm)		
* Approximate measurements for comparison only.			

Holes	K-2766		
Spout	1-1/2" D. (3.8cm)		
Faucet	1-3/16" D. (3cm)		

Included Components:	
Triton faucet	K-8040-2A
Hanger	64503
Overflow ferrule (1)	84896



FAUCET DETAIL



(T) Pop-up drain 14-1/8" (35.9cm), drain 13-1/4" (33.7cm).
 (S) 8" (20.3cm) (Based on 12" (30.5cm) riser which may require cutting).

.9<116

PRODUCT DIAGRAM