

Features

- 20-gauge stainless steel
- Includes installation hardware
- Under mount
- Luster finish
- With or without overflow
- 19-3/8" (49.2 cm) x 14-3/8" (36.5 cm)

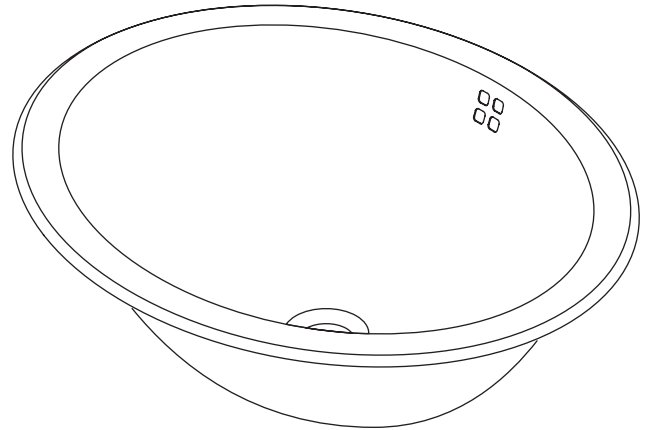
OVAL LAVATORY
K-2608
ALSO K-2609

ADA

Codes/Standards Applicable

Specified model meets or exceeds the following:

- ASME A112.19.3
- CSA B45
- ADA



Colors/Finishes

Accessories

- CP: Polished Chrome
- Other: Refer to Price Book for additional colors/finishes

Specified Model

Model	Description	Colors/Finishes	
K-2608	Without overflow	<input type="checkbox"/> NA	
K-2609	With overflow	<input type="checkbox"/> NA	
Recommended Accessories			
K-8998	P-trap	<input type="checkbox"/> CP	<input type="checkbox"/> Other_____
K-7107	Decorative grid drain OR	<input type="checkbox"/> CP	<input type="checkbox"/> Other_____
K-7108	Decorative grid drain	<input type="checkbox"/> CP	<input type="checkbox"/> Other_____
Included Accessories			
91915	Basin clamp assembly		

Product Specification

The oval lavatory shall be made of 20 gauge stainless steel. Lavatory shall be 19-3/8" (49.2 cm) in length, and 14-3/8" (36.5 cm) in width. Lavatory shall be under mount installation. Lavatory shall have a satin finish. Lavatory shall be available with overflow or without overflow. Lavatory shall include any installation hardware. Lavatory shall be Kohler Model K-2608-_____ or K-2609-_____.

BACHATA™

Technical Information

Fixture:*	
Lavatory	
Basin area	17-1/8" (43.5 cm) x 14" (35.6 cm)
Water depth	5-3/8" (13.7 cm)
Drain hole	1-5/8" (4.1 cm) D.
With overflow	4-1/16" (10.3 cm)
* Approximate measurements for comparison only.	

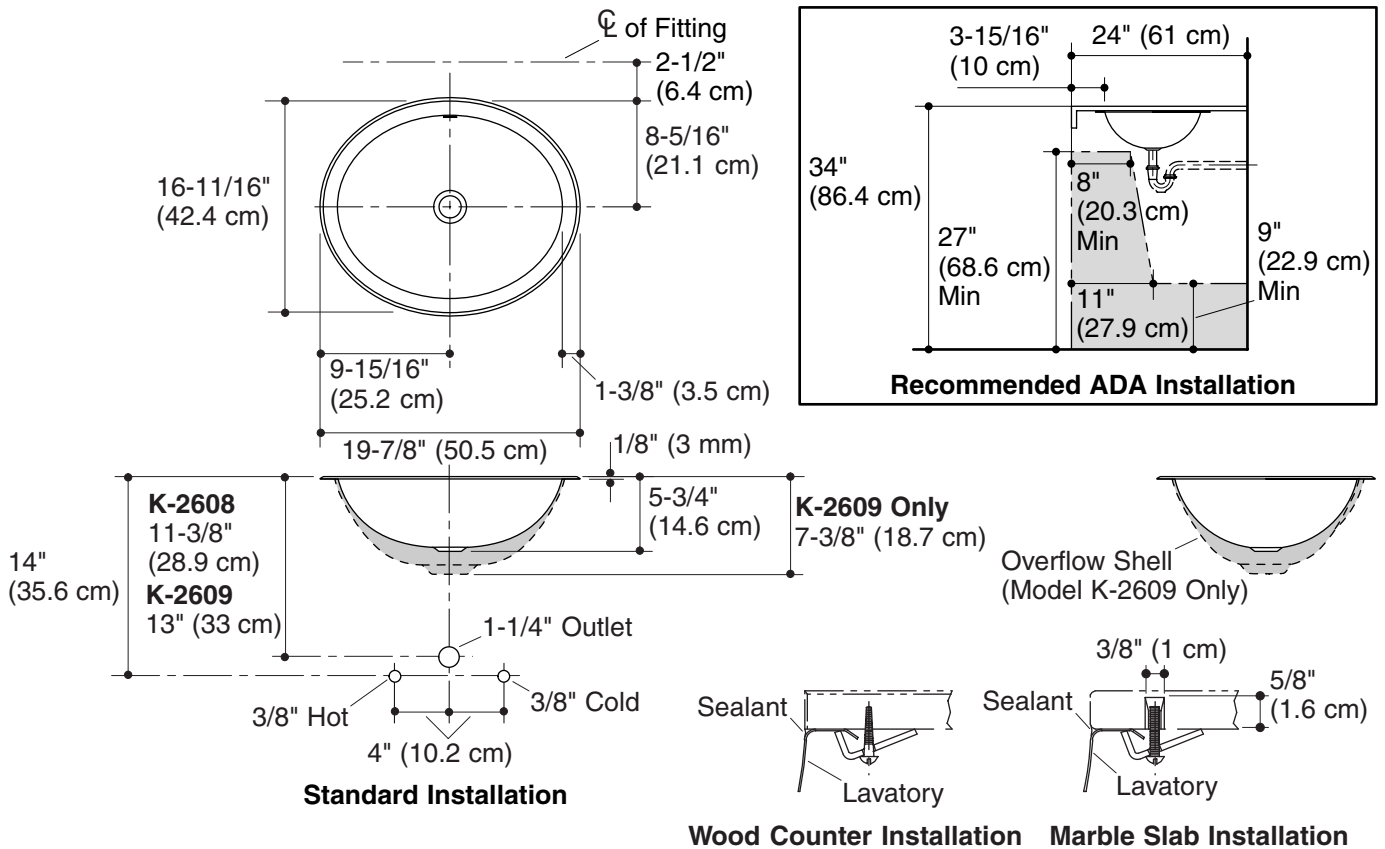
Included components:	
Basin clamp assembly	91915
Cut-out template	1002975-7

Installation Notes

Install this product according to the installation guide.

Fixture dimensions are nominal and conform to tolerances in ASME Standard A112.19.3.

Installer must supply anchors based on countertop material and thickness.



Product Diagram