

Features

- Two storage drawers and frosted glass shelf.
- Combines with the K-2956 Persuade sink for a complete vanity.
- Coordinates with other products in the Persuade Ensemble.

Material

- Durable melamine surface on interior and exterior of cabinet.

Recommended Accessories

- K-2956-1 Vanity-top Bathroom Sink.
- K-2956-4 Vanity-top Bathroom Sink
- K-2956-8 Vanity-top Bathroom Sink
- K-8998 P-Trap

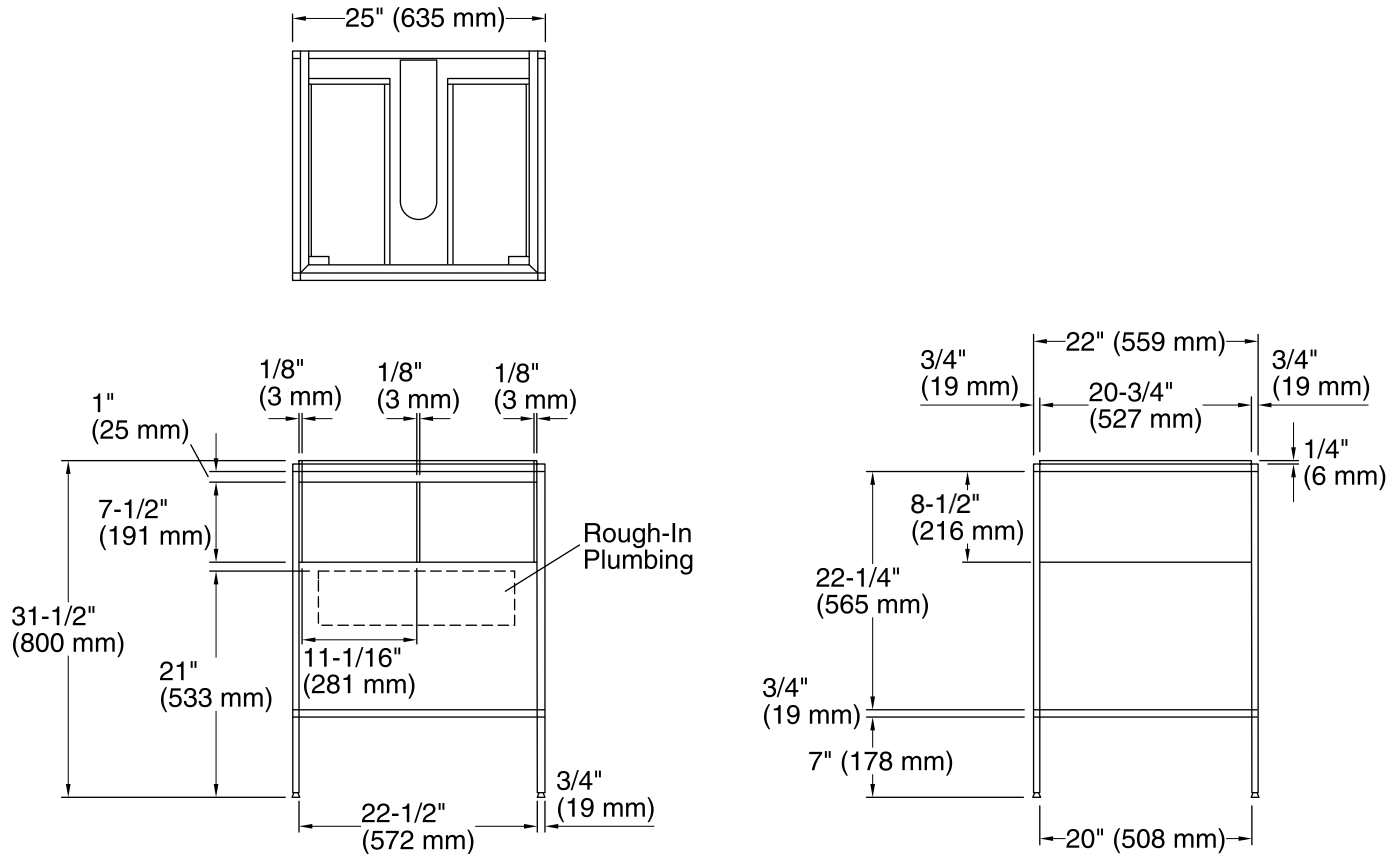


Codes/Standards

CARB P2

KOHLER® One-Year Limited Warranty

See website for detailed warranty information.



Technical Information

All product dimensions are nominal.

Vanity type: Petite

Notes

Install this product according to the installation guide.

NOTE: The K-2956 Persuade bathroom sink is recommended for this vanity. Do not select an under-mount Caxton® model for this vanity, as it is not designed for this vanity.

WARNING: Risk of property damage. Select 250 lbs (113.4 kg) load bearing lag bolts with a length that can safely clear any obstacles in the wall. Calculate the proper length of the lag bolts by adding the following: 1-1/2" (38 mm) bracing + wall board thickness + bracket thickness.

NOTICE: If a bathroom sink will be installed, the plumbing must be roughed into the plumbing cutout area of the vanity. Refer to the bathroom sink roughing-in and the vanity roughing-in for proper placement. The water supply and drain lines must be installed before installing the vanity.