



# Greenwich™

## Wall-Mount Bathroom Sink

### K-2031-R

#### Features

- With overflow.
- Drilled for concealed arm carrier.
- With hanger.
- Single-hole faucet drilling.
- Soap dispenser hole on right.
- 20-3/4" (527 mm) x 18-1/4" (464 mm).

#### Material

- Vitreous china.

#### Installation

- Wall-mount

#### Recommended Accessories

K-8998 P-Trap

#### Optional Accessories

K-1808-P Bathroom Sink Brackets

#### Components

Additional included component/s: Hanger (2 Required).



ADA

#### Codes/Standards


ASME A112.19.2/CSA B45.1  
ADA  
ICC/ANSI A117.1

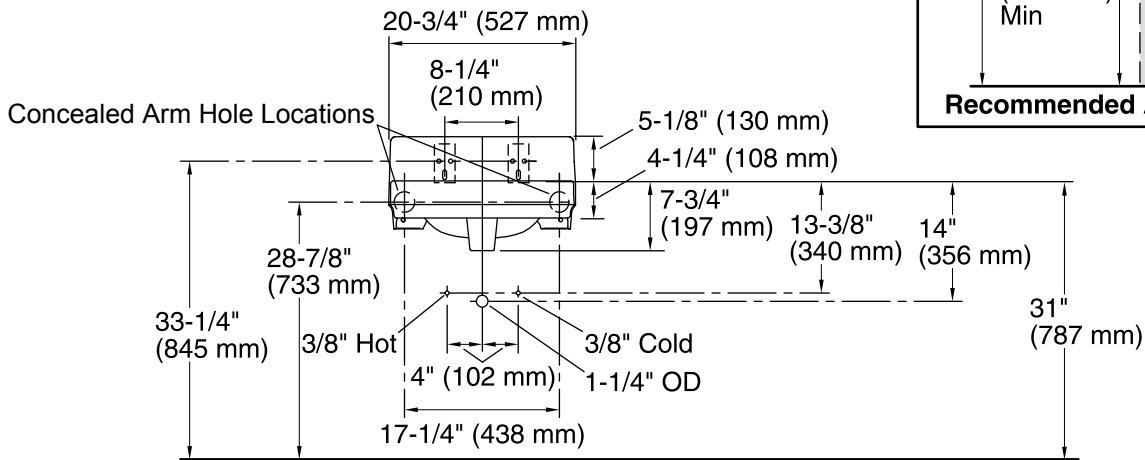
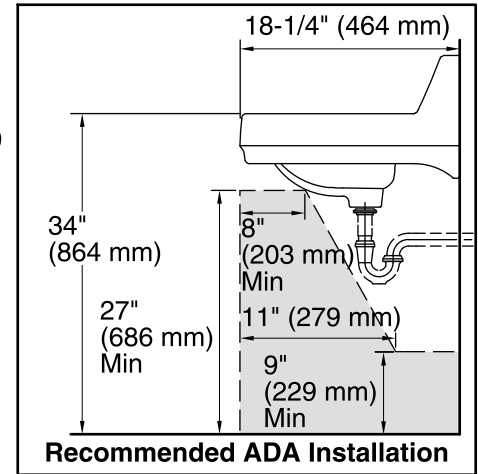
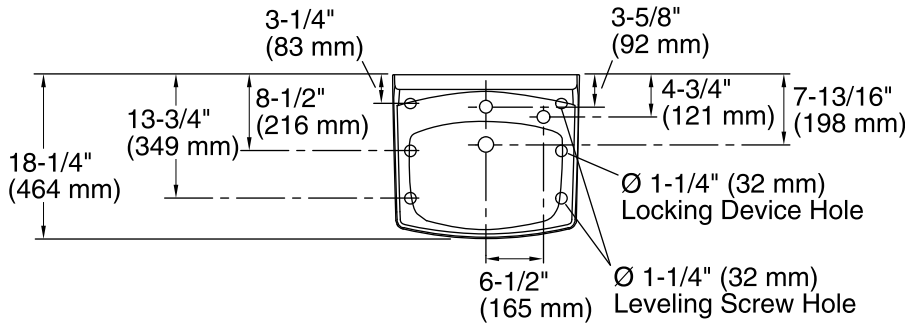
See website for detailed warranty information.

#### Available Color/Finishes

*Color tiles intended for reference only.*

Color	Code	Description
-------	------	-------------

	0	White
--	---	-------



**Standard Installation**

### Technical Information

All product dimensions are nominal.

Bowl configuration:	Single
Installation:	Wall-mount
Bowl area (Only)	Length: 10" (254 mm) Width: 15" (381 mm) With overflow: Yes Water depth: 3-1/4" (83 mm)
Bowl area	With overflow: Yes
Number of deck holes:	2
Faucet hole(s):	1-3/8" (35 mm)
Soap/Lotion hole:	1-1/4" (32 mm)
Drain hole:	1-3/4" (44 mm)

### Notes

Install this product according to the installation instructions.

ADA compliant when installed to the specific requirements of these regulations.