

Product Information

Applicable product:	
Drop-in bath	K-1848
Fixture*:	
Bathing well:	
Basin area, bottom	39-9/16" (1005 mm) x 24-11/16" (627 mm)
Basin area, top	53-5/8" (1362 mm) x 29-1/2" (749 mm)
Weight	75 lbs (34 kg)
To overflow:	
Water depth	17-1/8" (435 mm)
Capacity	81.1 gal (307 L)
* Approximate measurements for comparison only.	
Drop-in cut-out	59-1/2" (1511 mm) x 35-1/2" (902 mm)
Required accessories:	
Clearflo slotted overflow brass bath drain OR	K-7271
Clearflo slotted overflow bath drain – PVC pipe	K-7272

Optional accessories:	
Undermount kit	K-534
Pillow	K-1491
Footstop	K-1601

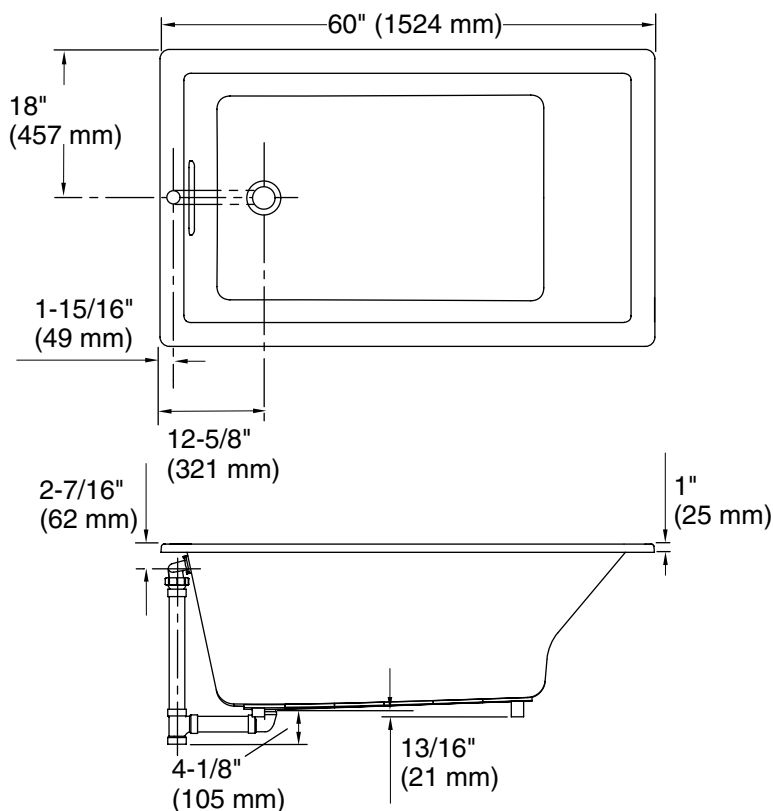
Installation Notes

Install this product according to the installation guide.

Floor support under bath must provide for a minimum of 52 lbs/square foot (230 kg/square meter) loading.

Hot water supply should be 70% of capacity or greater. Installations will vary.

Fixture conforms to ANSI Standards Z124.1.2. All dimensions are nominal.



No change in measurement if connected with drain illustrated. (K-7272)

