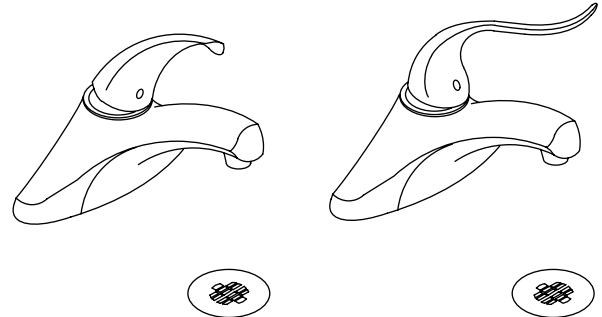


Features

- Metal construction
- Metal throatplate
- One-piece, self-contained ceramic disc valve allows both volume and temperature control
- Temperature memory allows faucet to be turned on and off at any temperature setting
- High-temperature limit stop for added safety
- Vandal-resistant aerator
- 2 gallons (7.5 L) per minute
- Lower flow aerator options are available (refer to the Kohler Price Book)
- Grid drain with tailpiece
- For 4" (10.2 cm) centers
- Available with 4-1/2" (11.4 cm) or 5-3/4" (14.6 cm) vandal-resistant lever handle



Codes/Standards Applicable

Specified model meets or exceeds the following:

- ASME A112.18.1/CSA B125.1
- IAPMO/UPC
- NSF 61
- Energy Policy Act of 1992 (EPACT)
- ADA

Colors/Finishes

- CP: Polished Chrome

Specified Model

| Model | Description | Colors/Finishes |
|------------|---|-----------------------------|
| K-15597-F | Lavatory faucet with 4-1/2" (11.4 cm) lever handle and flexible connections | <input type="checkbox"/> CP |
| K-15597-P | Lavatory faucet with 4-1/2" (11.4 cm) lever handle and ground connections | <input type="checkbox"/> CP |
| K-15597-F5 | Lavatory faucet with 5-3/4" (14.6 cm) lever handle and flexible connections | <input type="checkbox"/> CP |
| K-15597-5P | Lavatory faucet with 5-3/4" (14.6 cm) lever handle and ground connections | <input type="checkbox"/> CP |

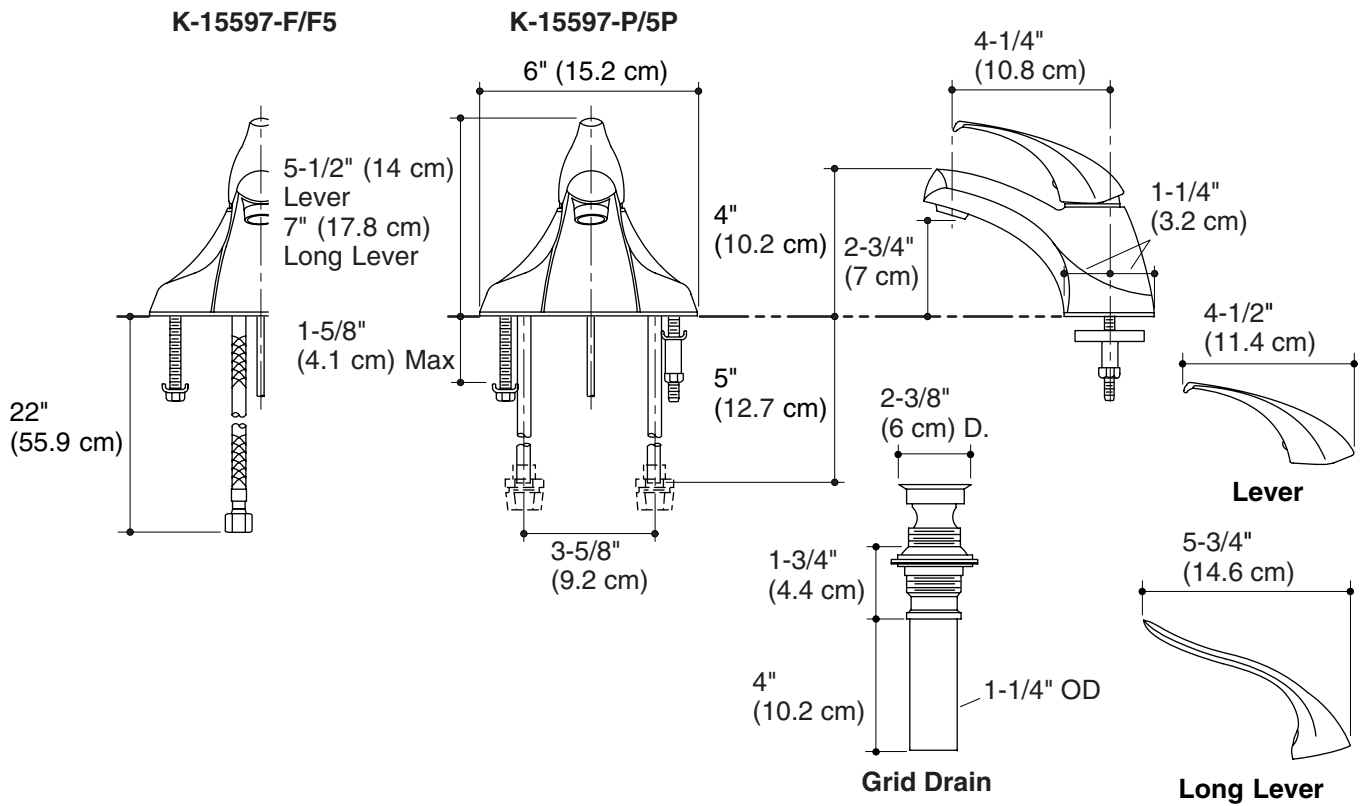
Product Specification

Single-control centerset lavatory faucet shall be of metal construction with a metal throatplate. Valve shall be a one-piece, self-contained ceramic disc valve, which shall allow volume and temperature control. Valve shall feature temperature memory, allowing the faucet to be turned on and off at any temperature setting. Valve shall include a high-temperature limit stop. Faucet shall include 4" (10.2 cm) centers, 4-1/4" (10.8 cm) spout, vandal-resistant (VR) aerator, grid drain with tailpiece, and 4-1/2" (11.4 cm) or 5-3/4" (14.6 cm) VR lever handle. Faucet shall be rated at 2.0 gallons (7.5 L) per minute. Faucet shall have lower flow aerator options. Faucet shall be available with either flexible or ground joint connections. Faucet shall be Kohler Model K-15597-_____-CP.

CORALAIS®

Installation Notes

Install this product according to the installation guide.



Product Diagram