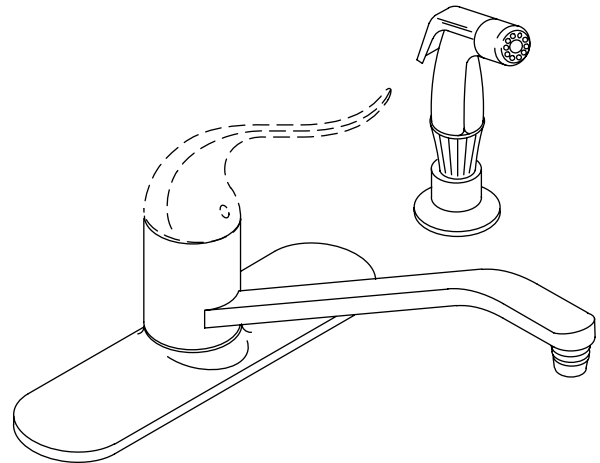


**KITCHEN SINK FAUCET  
K-15172**

**Features**

- Metal construction
- One-piece, self-contained ceramic disc valve allows both volume and temperature control
- Temperature memory allows faucet to be turned on and off at any temperature setting
- 2.2 gpm (8.3 lpm) flow rate
- Lower flow aerator options are available (refer to the Kohler Price Book)
- Lever or loop handle
- Handspray
- Optional ground joint connections and 16" (40.6 cm) long supply tubes
- Available with an 8-1/2" (21.6 cm), 10" (25.4 cm), or 12" (30.5 cm) swing spout



**Codes/Standards Applicable**

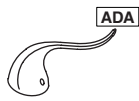
Specified model meets or exceeds the following:

- ASME A112.18.1/CSA B125.1
- Energy Policy Act of 1992 (EPACT)
- IAPMO/UPC
- NSF 61

**Colors/Finishes**

- CP: Polished Chrome
- PB: Polished Brass
- Other: Refer to Price Book for additional colors/finishes

**Specified Model**

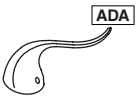
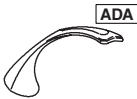

Model	Description			
K-15172	Faucet with 8-1/2" (21.6 cm) swing spout	<input type="checkbox"/> CP		
K-15172-P	Faucet with 8-1/2" (21.6 cm) swing spout and ground joints	<input type="checkbox"/> CP		
K-15172-PG	Faucet with 12" (30.5 cm) swing spout and ground joints	<input type="checkbox"/> CP	<input type="checkbox"/> PB	<input type="checkbox"/> Other_____
K-15172-TT	Faucet with 10" (25.4 cm) swing spout	<input type="checkbox"/> CP		
NOTE: All faucets, except white and polished brass, come with a black handspray and matching finish trim ring. White and polished brass faucets come with a white handspray.				

Specified Model table continued on Page 2.

**Product Specification**

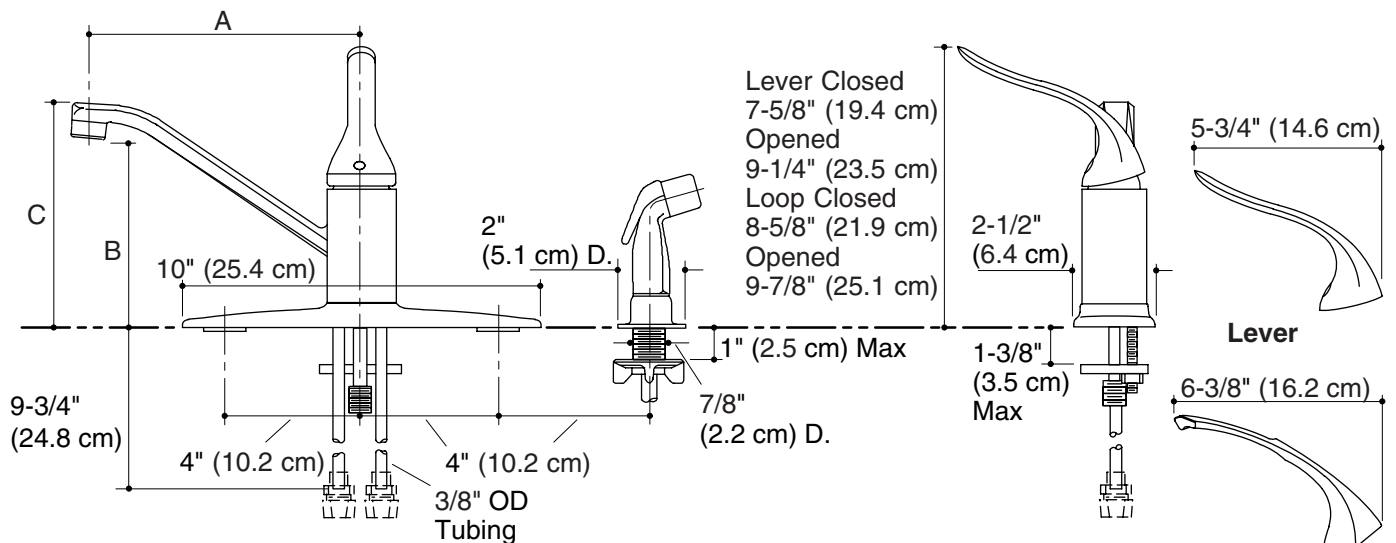
Single-control kitchen sink faucet shall be of metal construction. Valve shall be a one-piece, self-contained ceramic disc valve, allowing volume and temperature control. Valve shall feature temperature memory, allowing the faucet to be turned on and off at any temperature setting. Faucet shall include 8-1/2" (21.6 cm), 10" (25.4 cm), or 12" (30.5 cm) swing spout, lever or loop handle, and handspray. Faucet shall have flow rate of 2.2 gallons (8.3 L) per minute. Faucet shall have lower flow aerator options. Optional features shall be ground joint connections and 16" supply tubes. Faucet shall be Kohler Model K-15172-\_\_\_\_\_-\_\_\_\_\_.

# CORALAIS®

Specified Model Table, Continued				
Model	Description			
K-15172-LT	Faucet with 10" (25.4 cm) swing spout and 16" supply tubes	<input type="checkbox"/> CP		
K-15172-PT	Faucet with 10" (25.4 cm) swing spout and ground joints	<input type="checkbox"/> CP	<input type="checkbox"/> PB	<input type="checkbox"/> Other__
K-15172-TL	Faucet with 10" (25.4 cm) swing spout and ground joints		<input type="checkbox"/> CP	<input type="checkbox"/> PB <input type="checkbox"/> Other__
NOTE: All faucets, except white and polished brass, come with black handspray and matching finish trim ring. White and polished brass faucets come with white handspray.				
Optional Accessories				
K-15179-A	12" (30.5 cm) swing spout and aerator	<input type="checkbox"/> CP	<input type="checkbox"/> PB	<input type="checkbox"/> Other__

## Installation Notes

Install this product according to the installation guide.



	A	B	C
K-15172, K-15172-P	8-1/2" (21.6 cm)	5" (12.7 cm)	6-1/8" (15.6 cm)
K-15172-TT, K-15172-LT, K-15172-PT, K-15172-TL	10" (25.4 cm)	5-3/4" (14.6 cm)	6-7/8" (17.5 cm)
K-15172-PG	12" (30.5 cm)	6-1/8" (15.6 cm)	7-1/4" (18.4 cm)

## Product Diagram