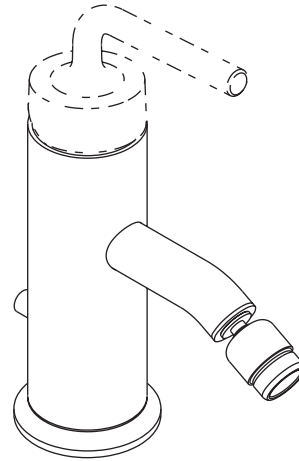


**Features**

- Brass construction
- One-piece, self-contained ceramic disc valve allows both volume and temperature control
- Temperature memory allows faucet to be turned on and off at any temperature setting
- High-temperature limit stop for added safety
- Single-hole mounting
- Available with straight or curved handle
- Flexible supplies for easy installation
- Pop-up drain with lift rod and tailpiece
- 4-1/4" (10.8 cm) swivel spray spout



**Codes/Standards Applicable**


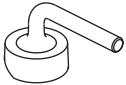
Specified model meets or exceeds the following:

- ASME A112.18.1
- CSA B125
- IAPMO/UPC

**Colors/Finishes**

- CP: Polished Chrome
- Other: Refer to Price Book for additional colors/finishes

**Specified Model**

| Model      | Description          |  |  |
|------------|----------------------|---|---|
| K-14434-4  | With Curved Handle   | <input type="checkbox"/> CP <input type="checkbox"/> Other ____                     |   |
| K-14434-4A | With Straight Handle |   | <input type="checkbox"/> CP <input type="checkbox"/> Other ____                       |

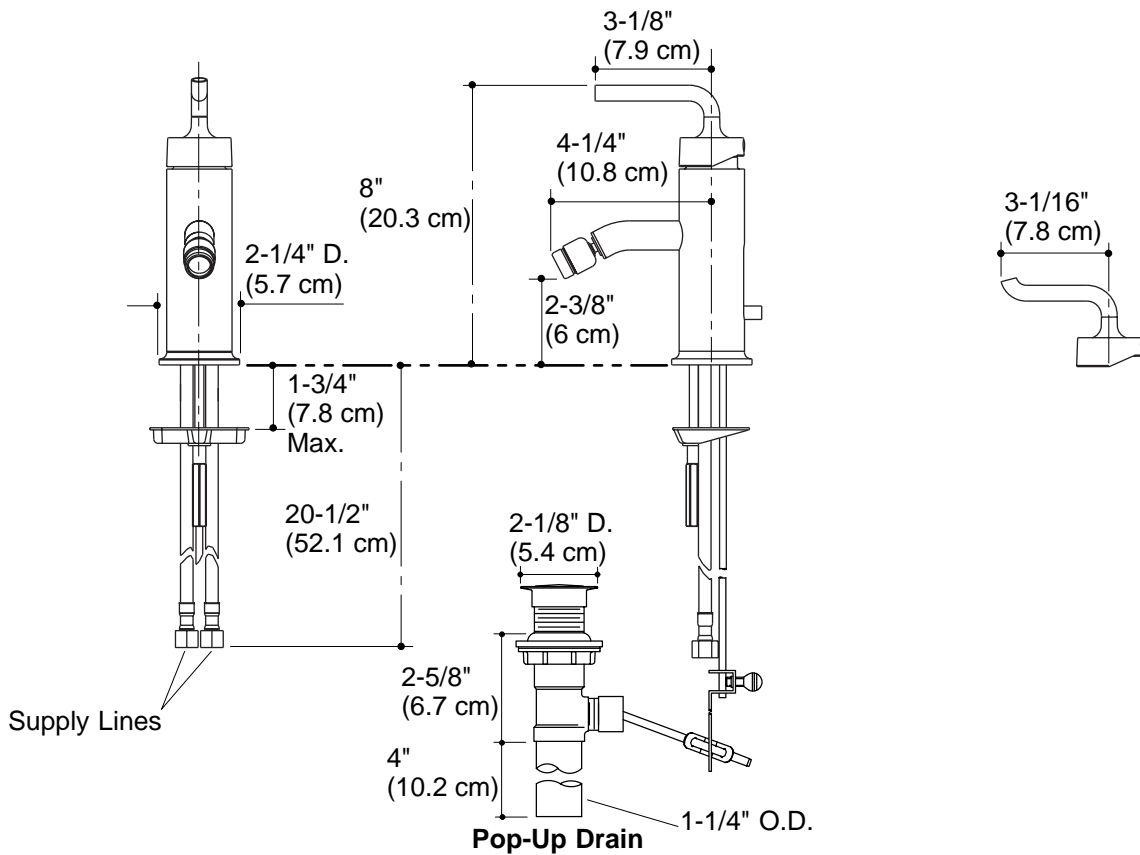
**Product Specification**

Single-control bidet faucet shall be of brass construction. The valve shall be a one-piece, self-contained ceramic disc valve, and allows both volume and temperature control. The valve shall feature temperature memory, allowing the faucet to be turned on and off at any temperature setting, and includes a high-temperature limit stop. Product shall include single-hole mounting, flexible connections, 4-1/4" (10.8 cm) swivel spray spout, pop-up drain with lift rod and tailpiece, and curved or straight handle. Faucet shall be Kohler Model K-14434-\_\_\_\_\_-\_\_\_\_\_.

# PURIST™

## Installation Notes

Install this product according to the installation guide.



**Product Diagram**