

UNDERCOUNTER LAVATORY

K-2205

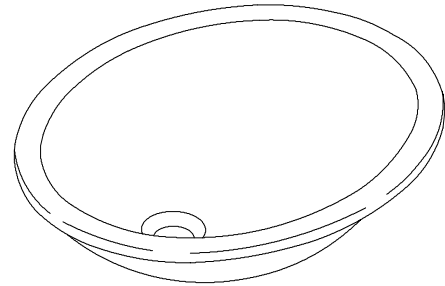
FEATURES

- 17" (43.2cm) x 14" (35.6cm)
- Vitreous china
- Undercounter
- Includes 52047 clamp assembly

CODES/STANDARDS APPLICABLE

Specified model meets or exceeds the following:

- ASME/ANSI A112.19.2M
- IAPMO/UPC
- Canadian Standards Association (CSA)



COLORS/FINISHES

- 0 White
- Other Refer to Price Book for additional colors

Accessories:

- CP Polished Chrome
- Other Refer to Price Book for additional finishes

SPECIFIED MODEL:

Model	Description	Colors/Finishes	
K-2205	17" (43.2cm) x 14" (35.6cm) Lavatory	<input type="checkbox"/> 0 White	<input type="checkbox"/> Other _____
K-2205-G	17" (43.2cm) x 14" (35.6cm) Lavatory with underside glazed in same color as basin	<input type="checkbox"/> 0 White	<input type="checkbox"/> Other _____
Recommended Accessories			
K-9018	P-Trap	<input type="checkbox"/> CP	<input type="checkbox"/> Other _____

PRODUCT SPECIFICATION:

The undercounter lavatory shall be 17" (43.2cm) in length, and 14" (35.6cm) in width. Lavatory shall be made of vitreous china. Lavatory shall include 52047 clamp assembly. Lavatory shall be Kohler Model K-2205-_____-_____.

PRODUCT INFORMATION

Mexico faucets have an M after the first sequence of numbers (i.e. K-12345 M), not all products sold in Mexico		
17" (43.2cm) x 14" (35.6cm) lavatory	K-2205	shown
17" (43.2cm) x 14" (35.6cm) glazed underside	K-2205-G	shown

Fixture*:		basin area	water depth
Lavatory:		17" (43.2cm) x 14" (35.6cm)	6-3/8" (16.2cm)
Drain hole	1-3/4" D. (3.2cm)		

* Approximate measurements for comparison only.

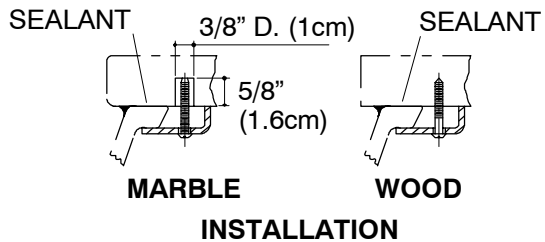
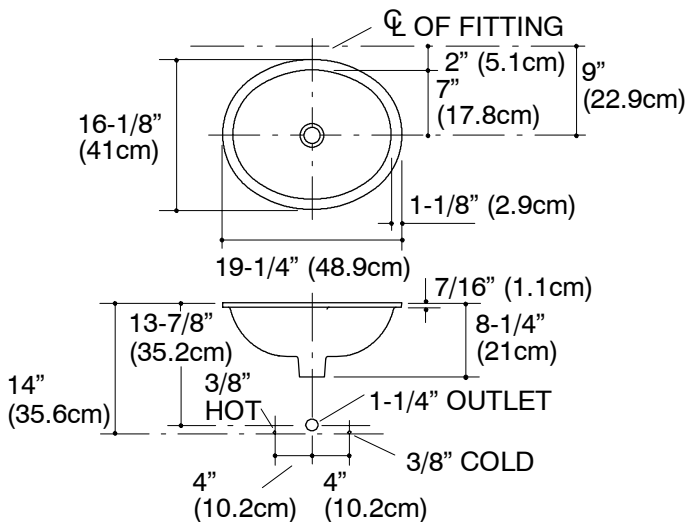
Included Components:	
Basin clamp assembly	52047
Adhesive sealant	63034
Cutout template	1002975-7

INSTALLATION NOTES

Install this product according to the installation guide.

Supplied basin clamp assemblies require 1" (2.5cm) minimum countertop thickness. Installer must supply anchors for thinner countertops.

NOTICE: Countertop manufacturer or cutter **must** use the cut-out template provided with the product, or a current one provided by Kohler Co. (call 1-800-43-FOCUS). Kohler Co. is not responsible for cut-out errors when the incorrect cut-out template is used.



PRODUCT DIAGRAM