

Ordering Information

Mexico faucets and fittings have an M after the first sequence of numbers (such as K-12345 M)		
Applicable product:		
8" (20.3cm) centers lavatory	K-2196-8	shown
soap dispenser on left	K-2196-8L	
soap dispenser on right	K-2196-8R	
without overflow	K-2196-8N	not shown
soap dispenser on left without overflow	K-2196-8K	
soap dispenser on right without overflow	K-2196-8F	
Accessories/hardware:		
Trap	K-8998	recommended

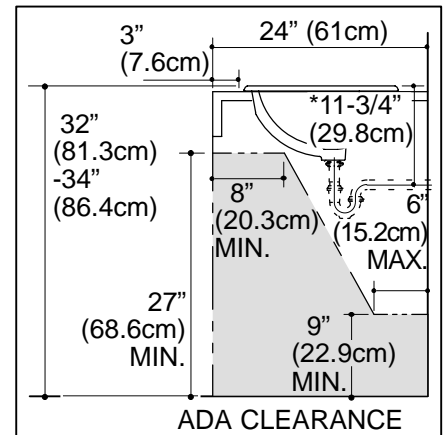
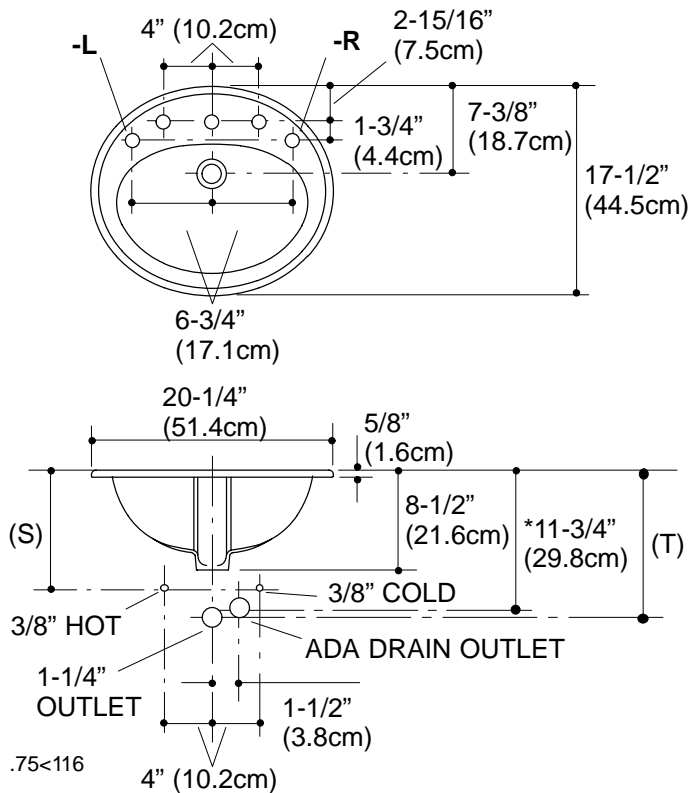
Product Information

ADA compliant.			
Fixture*:		basin area	water depth
Lavatory		16" (40.6cm) x 11" (27.9cm)	4" (10.2cm)
Outlet	1-3/4" D. (4.4cm)		
* Approximate measurements for comparison only.			
Spout hole	Faucet hole	Soap dispenser hole	
1-3/8" D. (3.5cm)	1-3/8" D. (3.5cm)	1-1/4" D. (3.2cm)	
Included Components:			
Adhesive sealant			63034
Cutout template			113805-7

Installation Notes

Refer to installation instructions included with fixture before beginning installation.

Concealed arm carrier required, **NOT** supplied by Kohler Co.



Roughing-In Notes

Fixture dimensions are nominal and conform to tolerances in ASME Standard A112.19.2M.

*Based on K-8998, with 1" (2.5cm) tailpiece exposed.

(T) Pop-up drain 14-1/8" (35.9cm), grid drain 13-1/4" (33.7cm).

Supply (Based on 12" (30.5cm) riser which may require cutting).	K-2196-8
(S)	14" (35.6cm)