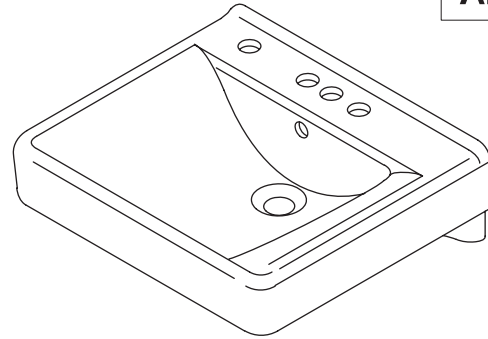


### Features

- Vitreous china
- Wall-mount
- With overflow
- ADA compliant
- Drilled for concealed arm carrier
- Optional soap dispenser hole on left (-L) or right (-R)
- 20" (50.8 cm) x 18" (45.7 cm)
- 4" (10.2 cm) centers

## WALL-MOUNT LAVATORY K-2054

ADA



### Codes/Standards Applicable

Specified model meets or exceeds the following:

- ASME A112.19.2
- ADA
- CABO/ANSI A117.1
- IAPMO/UPC
- CSA B45

### Colors/Finishes

- 0: White
- Other: Refer to Price Book for additional colors/finishes

### Accessories:

- CP: Polished Chrome
- Other: Refer to Price Book for additional colors/finishes

### Specified Model

Model	Description	Colors/Finishes	
K-2054	4" (10.2 cm) centers lavatory less soap dispenser hole	<input type="checkbox"/> 0 White	<input type="checkbox"/> Other_____
K-2054-L	4" (10.2 cm) centers lavatory with soap dispenser hole on left	<input type="checkbox"/> 0 White	<input type="checkbox"/> Other_____
K-2054-R	4" (10.2 cm) centers lavatory with soap dispenser hole on right	<input type="checkbox"/> 0 White	<input type="checkbox"/> Other_____
K-2054-N	4" (10.2 cm) centers lavatory less overflow	<input type="checkbox"/> 0 White	<input type="checkbox"/> Other_____
K-2054-NL	4" (10.2 cm) centers lavatory with soap dispenser hole on left less overflow	<input type="checkbox"/> 0 White	<input type="checkbox"/> Other_____
K-2054-NR	4" (10.2 cm) centers lavatory with soap dispenser hole on right less overflow	<input type="checkbox"/> 0 White	<input type="checkbox"/> Other_____
Recommended Accessories			
K-8998	Trap	<input type="checkbox"/> CP	<input type="checkbox"/> Other_____

### Product Specification:

The wall-mount lavatory shall be 20" (50.8 cm) in length, and 18" (45.7 cm) in width. Lavatory shall be made of vitreous china. Lavatory shall have 4" (10.2 cm) centers drilling. Lavatory shall have overflow. Lavatory shall be ADA compliant. Lavatory shall be drilled for concealed arm carrier. Lavatory shall have optional soap dispenser hole on left (-L) or right (-R). Lavatory shall be Kohler Model K-2054-\_\_\_\_\_.

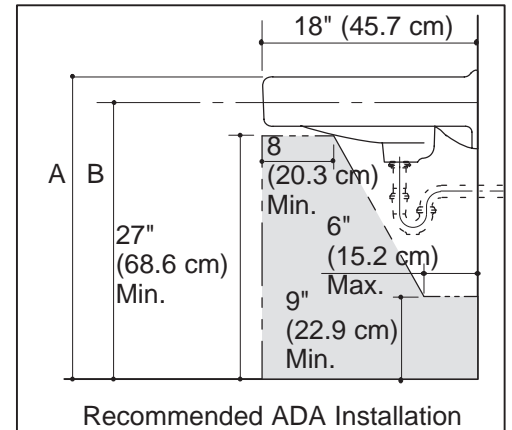
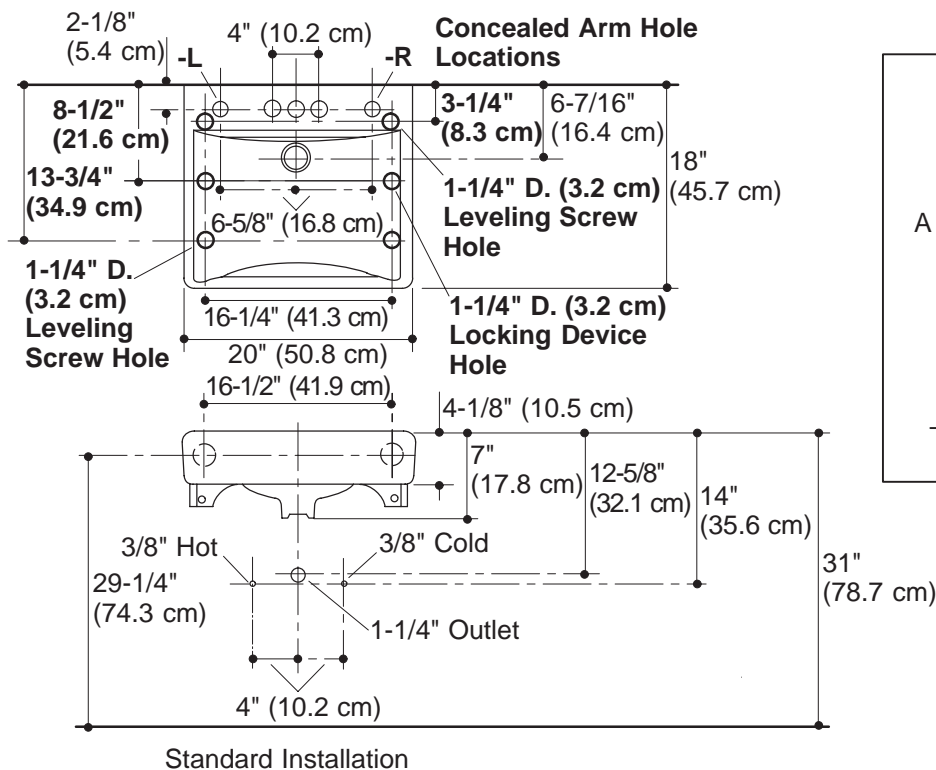
## Technical Information

ADA compliant			
Fixture:*		basin area	water depth
Lavatory		18" (45.7 cm) x 13" (33 cm)	4-7/8" (12.4 cm)
Drain hole	1-3/4" D. (4.4 cm)		
* Approximate measurements for comparison only.			
Spout hole	Faucet hole	Soap dispenser hole	
1-1/4" D. (3.2 cm)	1-1/4" D. (3.2 cm)	1-1/4" D. (3.2 cm)	

## Installation Notes

Install this product according to the installation guide.

A concealed arm carrier is required. This is **NOT** supplied by Kohler.



ADA rim height = A  
34" (86.4 cm) Max.  
32-1/2" (82.6 cm) Min.

ADA arm carrier height = B  
32-1/4" (81.9 cm) Max.  
30-3/4" (78.1 cm) Min.

## Product Diagram