

WALL-MOUNT LAVATORY

K-2035

ADA

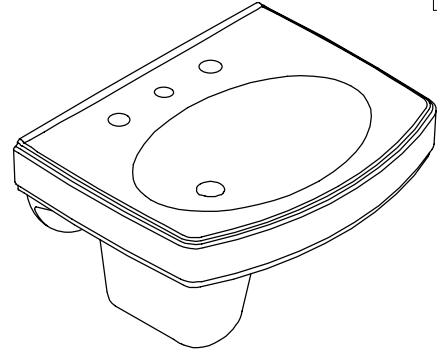
FEATURES

- 22" x 18" x 34"
- Vitreous China
- Wall-Mount
- 8" centers (-8), 4" centers (-4), or single-hole (-1)
- With overflow
- ADA compliant

CODES/STANDARDS APPLICABLE

Specified model meets or exceeds the following:

- ASME/ANSI A112.19.2M
- ADA
- IAPMO/UPC
- Canadian Standards Association (CSA)



COLORS/FINISHES

- 0 White
- Other Refer to Fixtures Price Book for additional colors

Accessories:

- CP Polished Chrome
- Other Refer to Faucets Price Book for additional finishes

SPECIFIED MODEL:

Model	Description	Colors/Finishes	
		<input type="checkbox"/> 0 White	<input type="checkbox"/> Other_____
K-2035-8	8" centers lavatory	<input type="checkbox"/> 0 White	<input type="checkbox"/> Other_____
K-2035-4	4" centers lavatory	<input type="checkbox"/> 0 White	<input type="checkbox"/> Other_____
K-2035-1	Single-hole lavatory	<input type="checkbox"/> 0 White	<input type="checkbox"/> Other_____
Recommended Accessories			
K-7605-P	Supplies 3/8" (pair)	<input type="checkbox"/> CP	<input type="checkbox"/> Other_____
K-8998	Trap	<input type="checkbox"/> CP	<input type="checkbox"/> Other_____

PRODUCT SPECIFICATION:

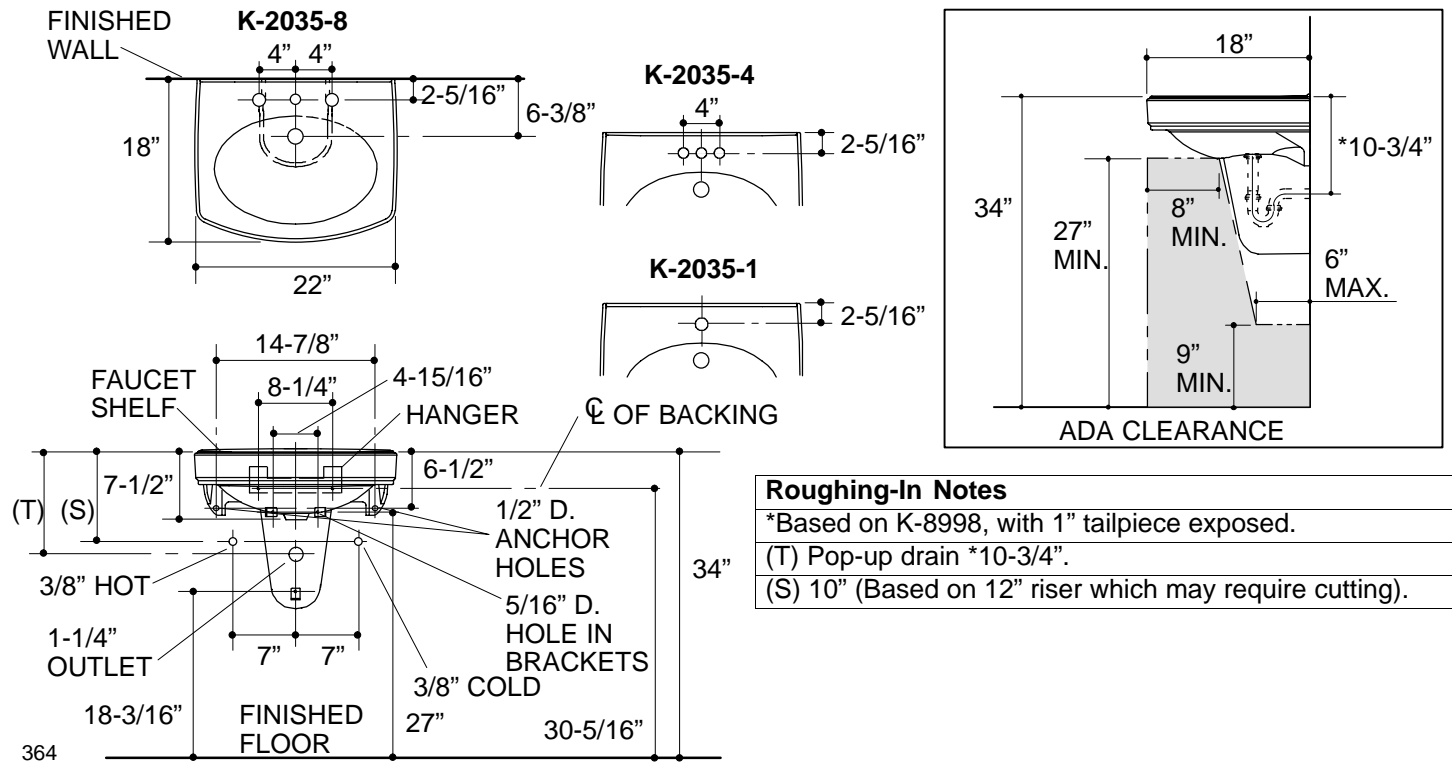
The wall-mount lavatory shall be 22" in length, 18" in width, and 34" in height. Lavatory shall be made of vitreous china. Lavatory shall have 8" centers (-8), 4" centers (-4), or single-hole (-1) drilling. Lavatory shall have overflow. Lavatory shall be ADA compliant. Lavatory shall be Kohler Model K-2035-_____-_____.

PRODUCT INFORMATION

Fixture*:		basin area	water depth
Lavatory		18" x 12"	4"
Outlet	1-3/4" D.		

Holes	K-2035-8	K-2035-4	K-2035-1
Spout	1-3/16" D.	1-3/16" D.	1-3/8" D.
Faucet	1-7/16" D.	1-3/16" D.	

Included Components:	
Lavatory basin, 8" centers	K-2028-8
Lavatory basin, 4" centers	K-2028-4
Lavatory basin, single-hole	K-2028-1
Shroud	K-2057
Rubber pads	63069
Hanger	64839
Shroud accessory pack	80265



PRODUCT DIAGRAM