

**HANDSHOWER
K-18495**

ADA

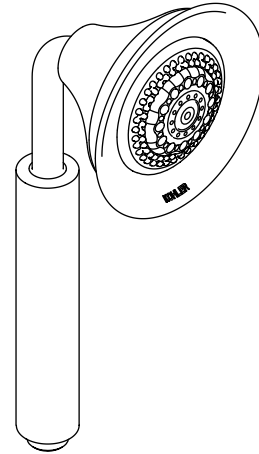
Features

- Wide-coverage, therapeutic massage, soft aerated, and reduced flow spray options
- Complements the Symbol™ Suite

Codes/Standards Applicable

Specified model meets or exceeds the following:

- ASME A112.18.1
- CSA B125
- IAPMO/UPC
- ADA



Colors/Finishes

- CP: Polished Chrome
- Other: Refer to Price Book for additional colors/finishes

Accessories:

- CP: Polished Chrome

Specified Model

Model	Description	Colors/Finishes	
K-18495	Handshower	<input type="checkbox"/> CP	<input type="checkbox"/> Other ____
Required Accessory		U	
K-8593	72" (182.9 cm) metal shower hose OR	<input type="checkbox"/> CP	
K-9514	60" (152.4 cm) metal shower hose	<input type="checkbox"/> CP	

Product Specification

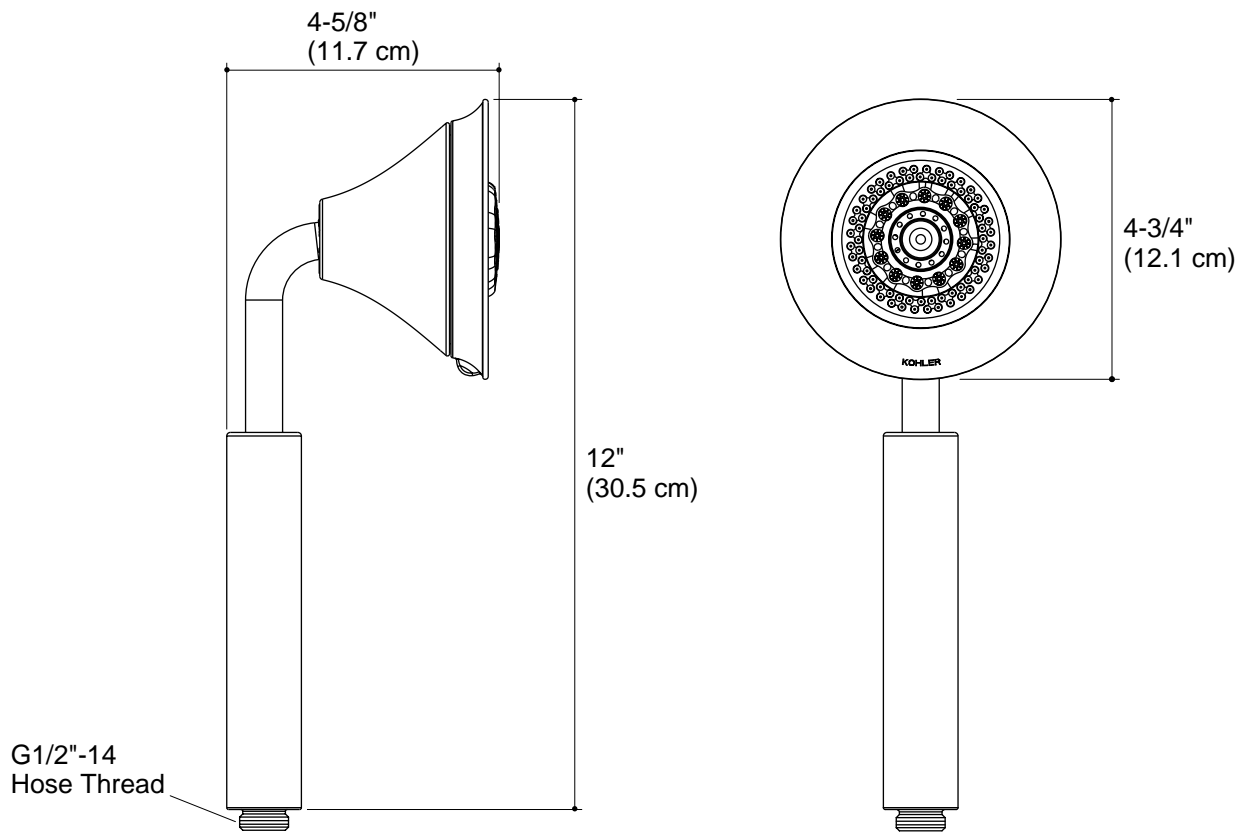
Handshower shall feature wide-coverage, therapeutic massage, soft aerated, and reduced flow spray options. Handshower shall complement the Symbol™ Suite. Handshower shall have a 2.5 gallon (9.5 L) per minute flow rate. Product shall be Kohler Model K-18495-____.

SYMBOL™

Installation Notes

Install this product according to the installation guide.

Plumbing codes require an atmospheric vacuum breaker (such as Kohler Model K-9660) be installed in-line with handshowers. Please consult with local plumbing officials.



Product Diagram