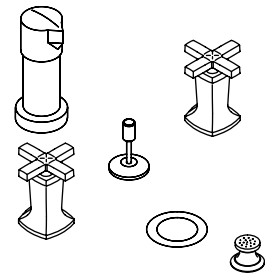


**BIDET FAUCET
K-16238**

ADA

Features

- Metal construction
- Brass valve bodies
- Reversible quarter-turn washerless ceramic disc valves
- Pop-up drain with lift rod and tailpiece
- Flexible connections for easy installation
- Vertical spray
- Fixture-mount transfer valve/vacuum breaker
- Available with cross or lever handles



Codes/Standards Applicable

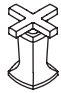
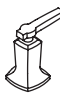
Specified model meets or exceeds the following:

- ASME A112.18.1/CSA B125.1
- ASSE 1001
- ADA
- IAPMO/cUPC

Colors/Finishes

- CP: Polished Chrome
- Other: Refer to Price Book for additional colors/finishes

Specified Model

Model	Description	 ADA	 ADA
K-16238-3	Bidet faucet with cross handles	<input type="checkbox"/> CP <input type="checkbox"/> Other ____	
K-16238-4	Bidet faucet with lever handles		<input type="checkbox"/> CP <input type="checkbox"/> Other ____

Product Specification

Two-handle fixture-mount bidet faucet shall be of metal construction. Faucet shall feature brass valve bodies. Faucet shall feature reversible quarter-turn washerless ceramic disc valves, assuring positive handle stop positioning. Product shall include flexible connections, pop-up drain with lift rod and tailpiece, handles, vertical spray, and fixture-mount valve/vacuum breaker. Faucet shall be Kohler Model K-16238-_____-_____.

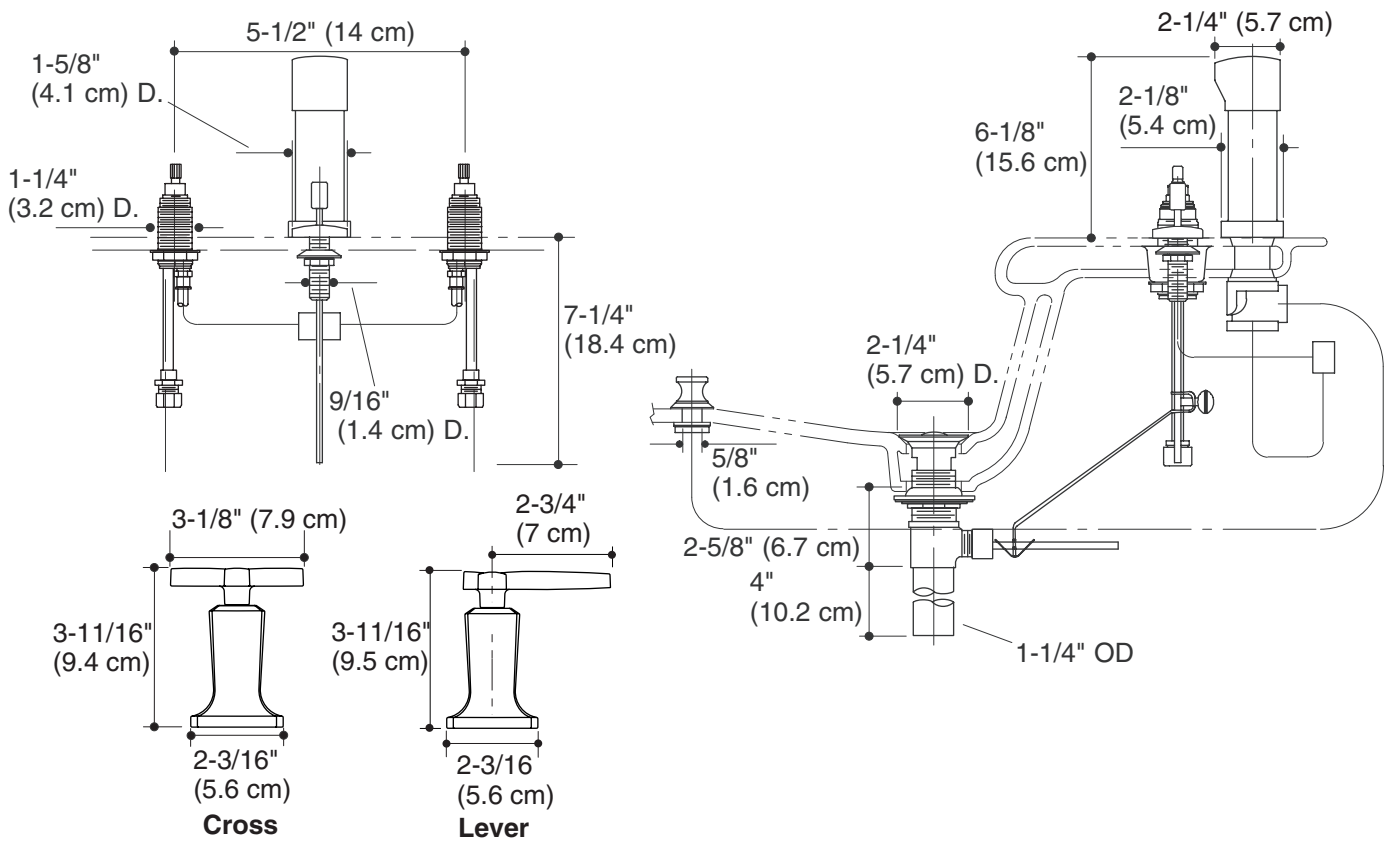
MARGAUX™

Technical Information

Applicable bidet faucet:	
Bidet faucet with cross handles	K-16238-3
Bidet faucet with lever handles	K-16238-4
Handles are ADA compliant. ADA	

Installation Notes

Install this product according to the installation guide.



Product Diagram