

5.5' CUSTOM BATH WHIRLPOOL

K-1457-HB/-HF/-HJ/-HN

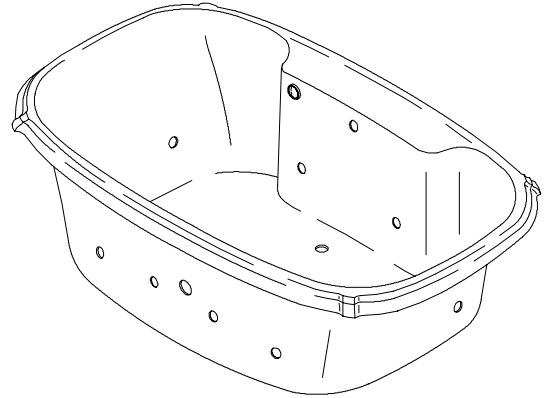
FEATURES

- 67" (170.2cm) x 42" (106.7cm) x 22" (55.9cm)
- Acrylic
- 1.5 hp variable speed pump with 1.5 kW heater, and back-lit user control
- 8 Flexjets
- UL Listed
- LESS ALL TRIM
- Custom pump locations

CODES/STANDARDS APPLICABLE

Specified model meets or exceeds the following:

- ANSI Z124.1
- ASME/ANSI A112.19.7M
- IAPMO/UPC
- Underwriters Laboratories (UL)



COLORS/FINISHES

- 0 White
- Other Refer to Price Book for additional colors

Accessories:

- CP Polished Chrome
- PB Polished Brass
- Other Refer to Price Book for additional finishes
- NA None Applicable

SPECIFIED MODEL:

| Model | Description | Colors/Finishes | |
|-----------|---|----------------------------------|-------------------------------------|
| K-1457-HB | Whirlpool, custom pump (shown) | <input type="checkbox"/> 0 White | <input type="checkbox"/> Other_____ |
| K-1457-HF | Whirlpool, custom pump (top view shown) | <input type="checkbox"/> 0 White | <input type="checkbox"/> Other_____ |
| K-1457-HJ | Whirlpool, custom pump (top view shown) | <input type="checkbox"/> 0 White | <input type="checkbox"/> Other_____ |
| K-1457-HN | Whirlpool, custom pump (top view shown) | <input type="checkbox"/> 0 White | <input type="checkbox"/> Other_____ |

| Required Accessories | | | | |
|-------------------------|---|-----------------------------|-----------------------------|-------------------------------------|
| K-9698 | Jet trim kit | <input type="checkbox"/> CP | <input type="checkbox"/> PB | <input type="checkbox"/> Other_____ |
| Recommended Accessories | | | | |
| K-7161-AF | Drain | <input type="checkbox"/> CP | <input type="checkbox"/> PB | <input type="checkbox"/> Other_____ |
| K-16122 | Revival™ faucet OR | <input type="checkbox"/> CP | <input type="checkbox"/> PB | <input type="checkbox"/> Other_____ |
| K-15880-K | Coralais™ base faucet (requires handle kit) OR | <input type="checkbox"/> CP | <input type="checkbox"/> PB | <input type="checkbox"/> Other_____ |
| K-15881-K | Coralais™ base faucet (requires handle kit) | <input type="checkbox"/> CP | <input type="checkbox"/> PB | <input type="checkbox"/> Other_____ |

Optional Accessories on Page 2

PRODUCT SPECIFICATION:

The bath whirlpool shall be 67" (170.2cm) in length, 42" (106.7cm) in width, and 22" (55.9cm) in height. Bath whirlpool shall be made of acrylic. Bath whirlpool shall have 8 Flexjets, 1.5 hp variable speed pump, 1.5 kW heater, and back-lit user control. Bath whirlpool shall be UL listed. Bath whirlpool shall be less all trim. Bath whirlpool shall be Kohler Model K-1457-_____-_____.

PORTRAIT™

Optional Accessories

| | | | |
|--------|----------------|----------------------------------|--------------------------------------|
| K-1491 | Pillow | <input type="checkbox"/> 0 White | <input type="checkbox"/> Other _____ |
| K-1601 | Footstop | <input type="checkbox"/> 0 White | <input type="checkbox"/> Other _____ |
| K-1703 | Remote control | | <input type="checkbox"/> NA |

PRODUCT INFORMATION

| Fixture*: | basin area | top area | weight |
|--------------|----------------------------|------------------------------|-----------------|
| Bathing well | 50" (127cm) x 29" (73.7cm) | 61" (154.9cm) x 32" (81.3cm) | 130 lbs. (59kg) |
| | water depth | capacity | |
| To overflow | 16" (40.6cm) | 100 gal. (378.5L) | |

* Approximate measurements for comparison only.

| Pump | Heater | Voltage | Frequency | Amperage |
|--------|--------|---------|-----------|----------|
| 1.5 HP | 1.5 kW | 240 V | 50/60 Hz | 11 A |

REQUIRED ELECTRICAL SERVICE

Dedicated circuit required, protected with Class A Ground-Fault Circuit-Interrupter (GFCI) or Earth-Leakage Circuit-Breaker (ELCB):

| | |
|--------------|---------------------------|
| Pump/control | 220/240 V, 20 A, 50/60 Hz |
|--------------|---------------------------|

INSTALLATION NOTES

Install this product according to the installation guide.

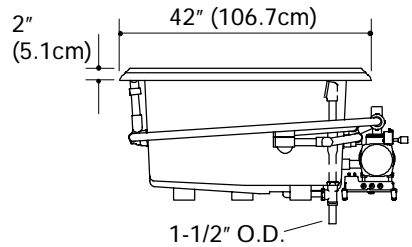
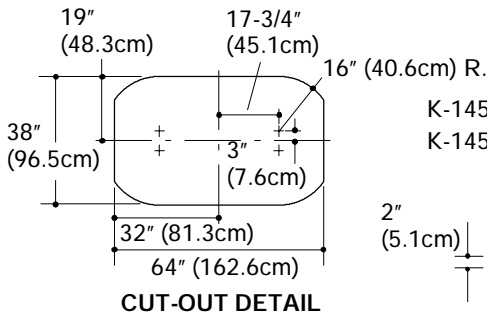
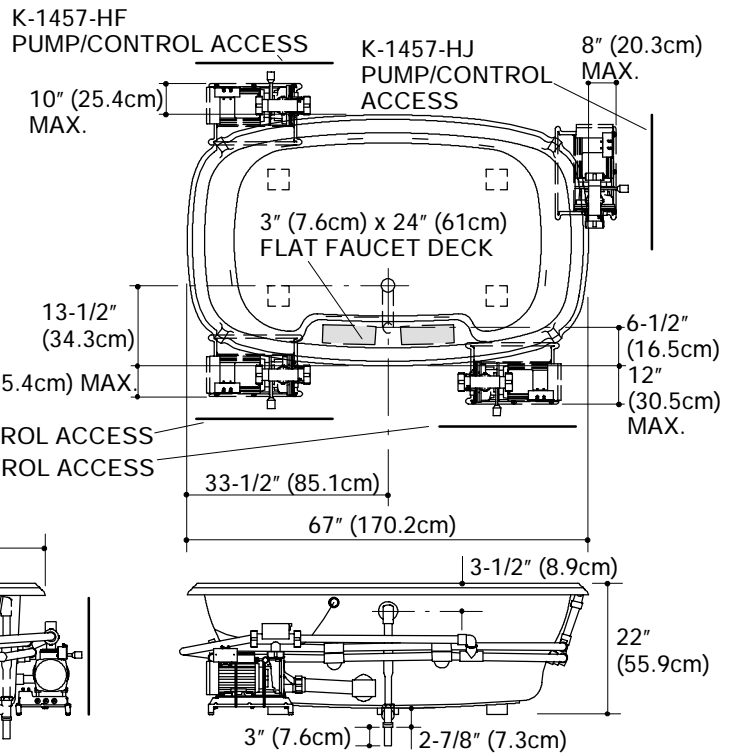
Floor support under whirlpool must provide for a minimum of 1800 lbs. (816.5kg)

Hot water supply should be 70% of capacity or greater. Installations will vary.

If installing a rim mount faucet, make sure there is no interference with drain overflow and circulating system before drilling any holes. Consult local and national codes for minimum air gap requirements if installing a spout on the faucet deck.

Pump must be relocated to custom position at the time of installation. Provide adequate clearance.

| | | |
|--|---------------------------------|-------------|
| No change in measurements if connected with drain illustrated. (K-7161-AF or K-7161M-AF) | | |
| Drop-in cut-out | 64" (162.6cm) x 38" (96.5cm) | |
| Cut-out template | 113311-7 | |
| Minimum access panel: | | |
| Pump/control | 34" (86.4cm) W x 15" (38.1cm) H | required |
| Faucet area | | recommended |



PRODUCT DIAGRAM