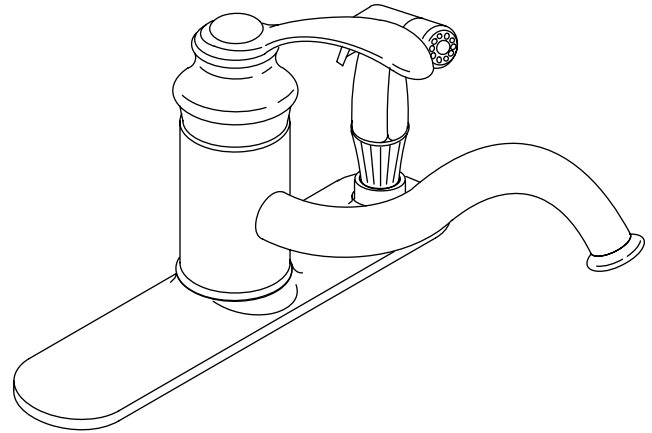


**KITCHEN SINK FAUCET
K-12173**

ADA

Features

- Metal construction
- 9" (22.9 cm) swing spout reach
- One-piece, self-contained ceramic disc valve allows both volume and temperature control
- Temperature memory allows faucet to be turned on and off at any temperature setting
- High-temperature limit stop for added safety
- 2.2 gallons (8.3 L) per minute
- Lower flow aerator options are available (refer to the Kohler Price Book)
- Flexible connections for easy installation
- Matching finish sidespray
- Lever handle
- Complements Fairfax® Suite



Codes/Standards Applicable

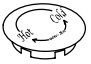
Specified model meets or exceeds the following:

- ADA
- ASME A112.18.1
- CSA B125
- IAPMO/UPC
- NSF 61
- Energy Policy Act of 1992 (EPACT)

Colors/Finishes

- CP: Polished Chrome
- BN: Brushed Nickel
- Other: Refer to Price Book for additional colors/finishes

Specified Model:

Model	Description	Colors/Finishes
K-12173	Kitchen sink faucet with matching finish sidespray	<input type="checkbox"/> CP <input type="checkbox"/> BN <input type="checkbox"/> Other ____
Optional Accessory		
K-12001	Plug button	<input type="checkbox"/> Other ____

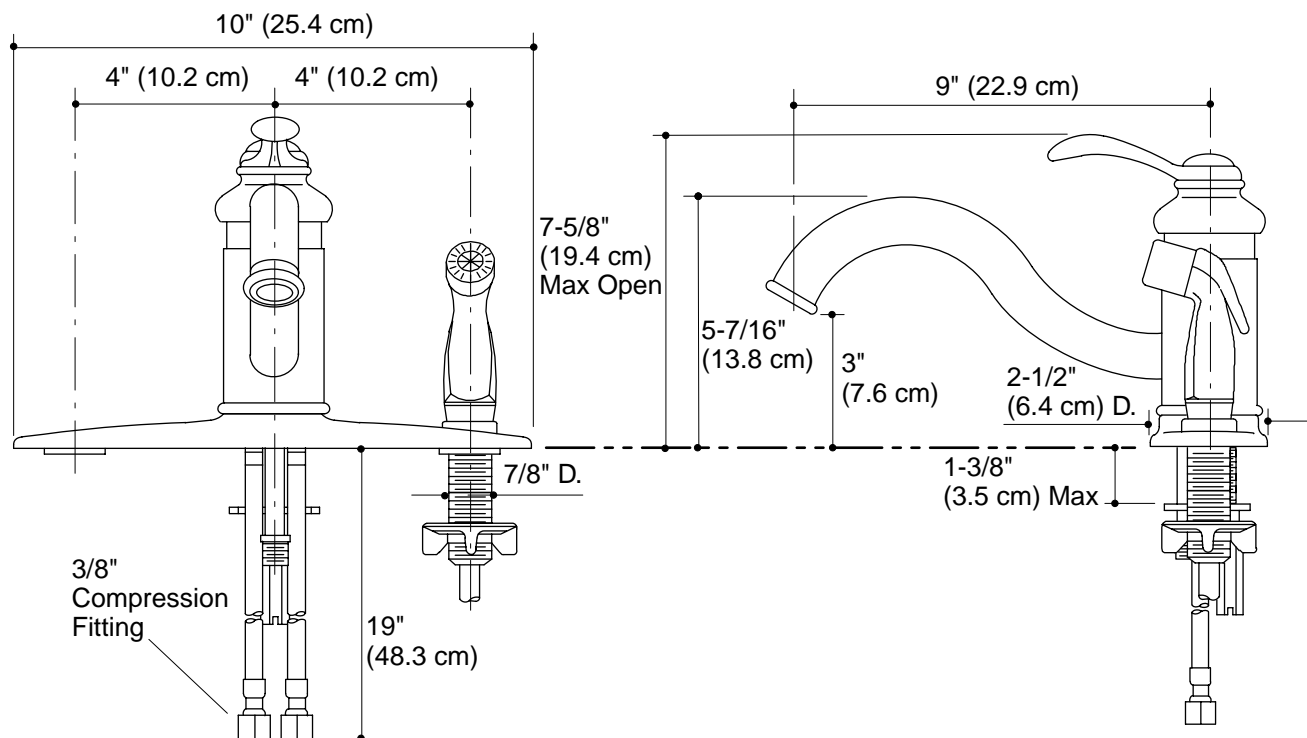
PRODUCT SPECIFICATION

Single-control kitchen sink faucet shall be of metal construction. Product shall have a one-piece, self-contained ceramic disc valve allowing both volume and temperature control. Product shall feature temperature memory allowing the faucet to be turned on and off at any temperature setting and a high-temperature limit stop for added safety. Product shall feature a 9" (22.9 cm) swing spout reach. Product shall include flexible connections, a lever handle, and a matching finish sidespray. Product shall have a flow rate of 2.2 gallons (8.3 L) per minute with lower flow aerator options available (refer to the Kohler Price Book). Product shall complement the Fairfax Suite. Faucet shall be Kohler Model K-12173-____.

FAIRFAX®

Installation Notes

Install this product according to the installation guide.



Product Diagram