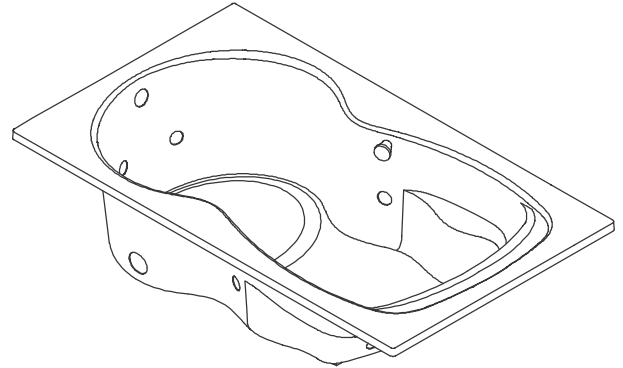


K-1194, K-1198

FEATURES

- 72" (182.9cm) x 42" (106.7cm) x 20" (50.8cm)
- Acrylic
- Drop-in or 3-wall alcove
- 6 individually adjustable ProFlex hydro-massage jets
- 1-1/4 HP pump with air switch and cord with plug
- UL Listed
- With (K-1198, -L/-R) or without (K-1194, -L/-R) Softgrip handles
- Optional K-1283 separate apron
- Optional K-9696 whirlpool trim kit in various finishes
- Optional K-1639 timer kit



CODES/STANDARDS APPLICABLE

Specified model meets or exceeds the following:

- ANSI Z124.1
- ASME/ANSI A112.19.7M
- IAPMO/UPC
- Underwriters Laboratories (UL)

COLORS/FINISHES

- 0 White
- Other Refer to Fixtures Price Book for additional colors

Accessories:

- CP Polished Chrome
- PB Polished Brass
- NA None Applicable
- Other Refer to Price Book for additional finishes

SPECIFIED MODEL:

Model	Description	Colors/Finishes	
		<input type="checkbox"/> 0 White	<input type="checkbox"/> Other _____
K-1194	Whirlpool less Softgrip handles	<input type="checkbox"/> 0 White	<input type="checkbox"/> Other _____
K-1194-L	Whirlpool less Softgrip handles, left drain hole, integral tile flange	<input type="checkbox"/> 0 White	<input type="checkbox"/> Other _____
K-1194-R	Whirlpool less Softgrip handles, right drain hole, integral tile flange	<input type="checkbox"/> 0 White	<input type="checkbox"/> Other _____
K-1198	Whirlpool with Softgrip handles (shown)	<input type="checkbox"/> 0 White	<input type="checkbox"/> Other _____
K-1198-L	Whirlpool with Softgrip handles, left drain hole, integral tile flange	<input type="checkbox"/> 0 White	<input type="checkbox"/> Other _____
K-1198-R	Whirlpool with Softgrip handles, right drain hole, integral tile flange	<input type="checkbox"/> 0 White	<input type="checkbox"/> Other _____

Recommended Accessories

K-7161-AF	Drain	<input type="checkbox"/> CP	<input type="checkbox"/> PB	<input type="checkbox"/> Other _____
-----------	-------	-----------------------------	-----------------------------	--------------------------------------

Optional Accessories

K-1283	Separate apron with removable panel for front access	<input type="checkbox"/> 0 White	<input type="checkbox"/> Other _____	
K-9696	Jet trim kit (metal finishes)	<input type="checkbox"/> CP	<input type="checkbox"/> PB	<input type="checkbox"/> Other _____
K-1639	Timer Kit	<input type="checkbox"/> NA		

PRODUCT SPECIFICATION:

The bath whirlpool shall be 72" (182.9cm) in length, 42" (106.7cm) in width, and 20" (50.8cm) in height. Bath whirlpool shall be made of acrylic, drop-in or 3-wall alcove installation. Bath whirlpool shall have 6 individually adjustable ProFlex hydro-massage jets, 1-1/4 HP pump with air switch and cord with plug. Bath whirlpool shall be UL Listed. Bath whirlpool shall be with (K-1198, -L/-R) or without (K-1194, -L/-R) Softgrip handles. Bath whirlpool shall have optional K-1283 separate apron. Bath whirlpool shall have optional K-9696 trim kit. Bath whirlpool shall have optional K-1639 timer kit. Bath whirlpool shall be Kohler Model K-_____-_____-_____.

SYNCHRONY™

PRODUCT INFORMATION

Fixture*:	basin area	top area	weight
Bathing well	49" (124.5cm) x 25" (63.5cm)	61" (154.9cm) x 34" (86.4cm)	110 lbs. (49.9kg)
	water depth	capacity	
To overflow	14" (35.6cm)	72 gal. (272.5L)	

* Approximate measurements for comparison only.

Pump:	HP	V	Hz	A
1-speed	1-1/4	120	60	7.5

REQUIRED ELECTRICAL SERVICE

Dedicated circuit required, protected with Class A Ground-Fault Circuit-Interrupter (GFCI):	
Pump/control	120 V, 15 A, 60 Hz
Locate the outlet behind the whirlpool and within 24" (61cm) of the pump.	

INSTALLATION NOTES

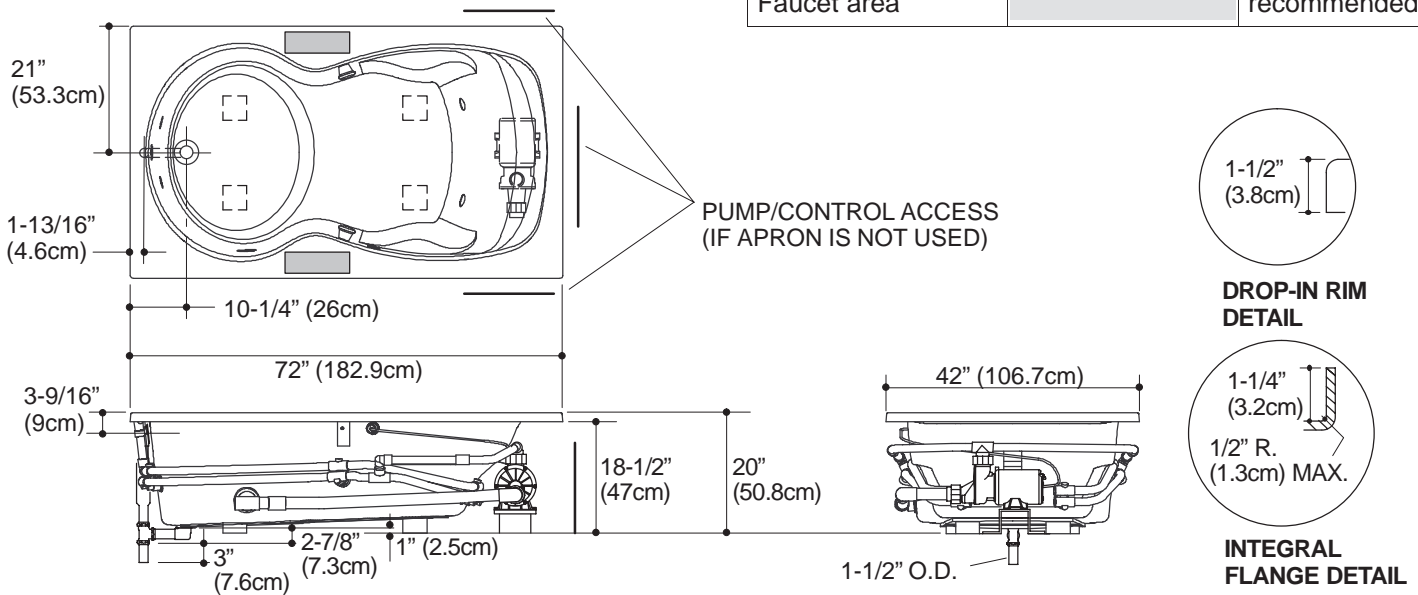
Install this product according to the installation guide.

Floor support under whirlpool must provide for a minimum of 80 lbs./square foot (390 Kg./square meter) loading.

If installing a rim-mount faucet, make sure there is no interference with drain overflow and circulating system before drilling any holes. Consult local and national codes for minimum air gap requirements if installing a spout on the faucet deck.

The apron must be installed before the finish floor and wall materials are installed.

No change in measurements if connected with drain illustrated. (K-7161-AF or K-7161M-AF)		
Drop-in cut-out	70" (177.8cm) x 40" (101.6cm)	
Minimum access panel:		
Pump/control	20" (50.8cm) W x 15" (38.1cm) H	required
Faucet area		recommended



PRODUCT DIAGRAM