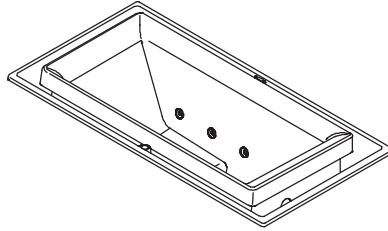


Installation Guide

Overflowing Bath

K-1188, K-1189



M product numbers are for Mexico (i.e. K-12345**M**)
Los números de productos seguidos de **M** corresponden a México
(Ej. K-12345**M**)
Français, page "Français-1"
Español, página "Español-1"

THE BOLD LOOK
OF **KOHLER**®

Important Information



WARNING: When using electrical products, basic precautions should always be followed, including the following:



DANGER: Risk of electric shock. Connect only to a circuit protected by a Ground-Fault Circuit-Interrupter (GFCI) or Earth-Leakage Circuit-Breaker (ELCB).



WARNING: Risk of electric shock. A licensed electrician should make all electrical connections.



WARNING: Risk of electric shock. Disconnect power before servicing.



WARNING: Risk of injury or property damage. Please read all instructions thoroughly before beginning installation, including the following requirements.

NOTICE: Follow all local plumbing and electrical codes.

Install to permit access for servicing.

A green with yellow stripe lead wire is provided within the wiring compartment. To reduce the risk of electrical shock, connect this wire to the grounding terminal of your electric service or supply panel with copper wire equivalent in size to the circuit conductor supplying this equipment.

A pressure wire connector is provided on the exterior of the pump or control within this unit to permit connection of a bonding conductor between this unit and all other exposed metal in the vicinity, as needed to comply with local requirements.

Grounding is required. The unit should be installed by a qualified service representative, and grounded.

Building materials and wiring should be routed away from the pump body and other heat-producing components of the unit.

Important Product Information

Product Notices



WARNING: Unauthorized modification may cause unsafe operation and poor performance of the overflowing bath. Do not relocate the pump, or make other modifications to the circulating system, as this could adversely affect the performance and safe operation of your overflowing bath. Kohler Co. shall not be liable under its warranty or otherwise for personal injury or damage caused by any such unauthorized modification.

Product Inspection

Carefully unpack the product, and inspect the unit for damage. Return the unit to the carton during construction to prevent damage.

NOTICE: Make sure the union connections to the pump, in-line heater, and butterfly valves are securely tightened. Do not overtighten.

Factory-Assembled Features

Factory installed components include pump, level sensors, in-line heater, submerged chromatherapy lights (optional), control and switch. The pump and piping are factory-assembled.

Connections and Service Access

Important Product Information (cont.)

NOTICE: Provide unrestricted service access to the pump and heater. Provide unrestricted service access to the pump, in-line heater, adjustable feet, and control box. You must construct an access panel to provide sufficient clearance for servicing the pump, in-line heater, and control box. The access panel must be located immediately next to the pump and in-line heater. Study the roughing-in information.

Electrical Requirements

The installation must have two Class A Ground-Fault Circuit-Interrupters (GFCI's) or Earth-Leakage Circuit-Breaker (ELCB's). The GFCI/ELCB protects against line-to-ground shock hazard. Use a 240V, 20A, 50/60 Hz dedicated service for the pump controls. Use a separate 240V, 20A, 50/60 Hz dedicated service for the heater.

An equipment grounding terminal is provided in the field wiring compartment. To reduce the risk of electrical shock, this terminal must be connected to the grounding means provided in the electrical supply panel with a conductor equivalent in size to the circuit conductors supplying this equipment.

Install this unit in accordance with the Canadian Electric code, Part I.

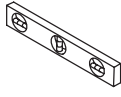
Thank You For Choosing Kohler Company

We appreciate your commitment to Kohler quality. Please take a few minutes to review this manual before you start installation. If you encounter any installation or performance problems, please don't hesitate to contact us. Our phone numbers and website are listed on the back cover. Thanks again for choosing Kohler Company.

Recommended Tools and Materials



Silicon Sealant



4' (1.2m) Level



Tape Measure



Safety Glasses



Pencil

Conventional woodworking tools and materials

Drop cloth

2x4's or 2x6's

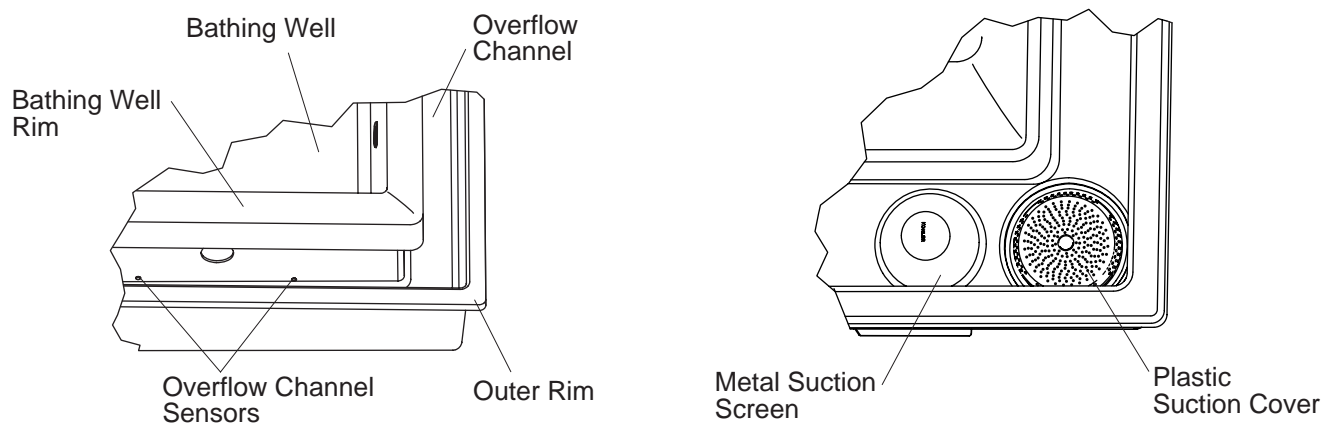
Introduction

Please read these instructions carefully to familiarize yourself with the required tools, materials, and installation sequences. Follow the sections that pertain to your particular installation. This will help you avoid costly mistakes. In addition to proper installation, read all operating and safety instructions.

All information in this manual is based upon the latest product information available at the time of publication. At Kohler, we constantly strive to improve the quality of our products; we therefore reserve the right to make changes in product characteristics, packaging, or availability at any time without notice.

Before You Begin

- Your overflowing bath is designed for drop-in island installation. Undermount and alcove installations are also possible.
- You must install the overflowing bath onto an adequately supported, level subfloor to permit adequate leveling during installation.
- Provide properly dimensioned framing.
- Choose a fill spout which will provide adequate reach and a minimum 2" (5cm) air gap above the bathing well rim of the overflowing bath. You may need to build up the deck material to obtain adequate air space because the outer rim may be lower than the bathing well rim depending on the specific area of the overflowing bath.
- Follow local plumbing codes.
- The overflowing bath must be filled with water through the bathing well, not the overflow channel.
- If you plan to install a deck-mounted, hand-held shower, the diverter vacuum breaker must maintain a minimum 1" (2.5cm) air gap above the outer rim.
- When using the K-922 or K-923 Laminar Bath Spout with drip tray K-924, the distance from the finished wall to the outside wall of overflow channel should not exceed 2" (5cm).



List of Terms

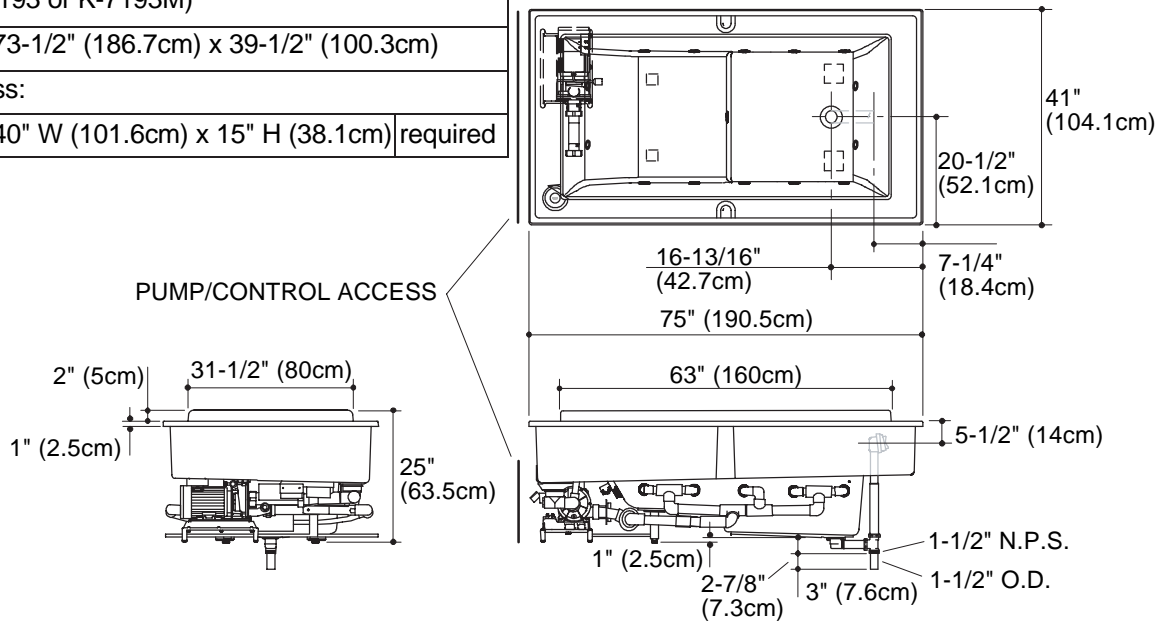
- **Bathing well** - The deep portion of the overflowing bath used by the bather.
- **Bathing well rim** - The high rim between the bathing well and the overflow channel. Water will evenly cascade over the bathing well rim and into the overflow channel during operation.
- **Cavitation** - When air is drawn into the pump instead of water to a point where it impairs or stops the pump's ability to circulate water.
- **Chromatherapy control pad** - Turns the chromatherapy lights on and off (if equipped).
- **Chromatherapy lights** - Lights provided in the basin of the overflowing bath (if equipped) to enhance your bathing experience.
- **Heater** - Designed to automatically help maintain the temperature of the water up to 104°F (40°C) to enhance your hydro-massage experience. The heater turns on automatically when the whirlpool is operating, and turns off when the pump motor is turned off.
- **Master control** - This unit is located beneath the pump. It provides the "brains" of the system, interpreting all incoming and outgoing signals.
- **Metal suction screen** - The removable metal screen located over the suction cover in the overflow channel. The suction screen must always be clean and in place when the overflowing bath is running to prevent debris from entering the water intake port and to prevent cavitation and poor operation.
- **Outer rim** - The rim along the outside of the overflowing bath.
- **Overflow channel** - The overflow water collection channel surrounding the bathing well. The overflow channel collects the water overflowing the bathing well rim during normal operation, and channels the water back into the piping system for recirculation.
- **Overflow channel sensors** - The two metal probes located in the wall of the overflow channel beneath the drain overflow hood. These sensors prevent activation of the pump if insufficient water is available, and will automatically shut off the pump if the water level drops below them. The pump will only operate when these two sensors are completely submerged.
- **Pump control switch** - Turns the pump on and off.
- **Plastic suction cover** - The plastic guard attached over the water intake port located in the overflow channel. The suction cover must always be installed during product use to ensure user safety.
- **Pump** - The pump circulates the water.
- **Wire harness** - The wire harness connects all powered peripheral components (valves, pump, heater, switches, lights) to the master control.

No change in measurements if connected with drain illustrated. (K-7193 or K-7193M)

Cut-out	73-1/2" (186.7cm) x 39-1/2" (100.3cm)
---------	---------------------------------------

Minimum access:

Pump/control	40" W (101.6cm) x 15" H (38.1cm)	required
--------------	----------------------------------	----------

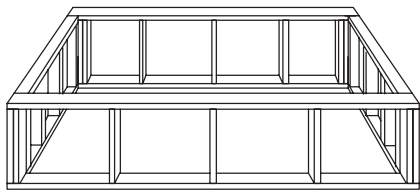


1. Roughing In Information

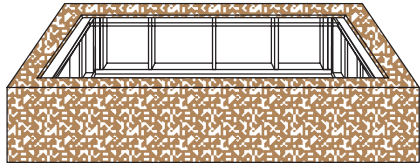
NOTICE: The floor support under the whirlpool must provide for a minimum of 2000 lbs. (907.2kg).

- Two separate 240 V electrical services are required: one for the pump/control, and one for the heater.
- Consult local and national codes for minimum air gap requirements when installing a spout on the faucet deck.
- The overflowing bath must be filled through the bathing well.
- Hot water supply should be 70% of the capacity or greater.
- The fixture conforms to ANSI Standard Z124.1. All dimensions are nominal.
- There is no change in measurements if connected with the drain illustrated (K-7193, K-7193M).
- Cut-Out = 73-1/2" (186.7cm) x 39-1/2" (100.3cm).
- An access panel is required. The recommended dimensions for this access panel are 40" (101.6cm) W x 15" (38.1cm) H. Refer to the roughing-in diagram for suggested access panel location.
- Make sure the flooring is in good condition and offers adequate support for your bath.

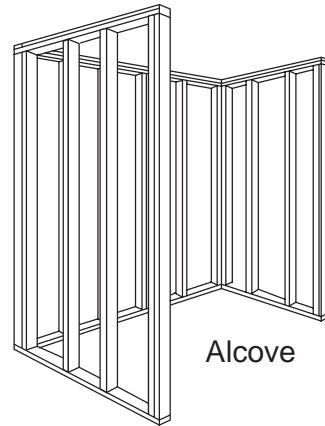
IMPORTANT! Verify that the subfloor is flat and level. This will help minimize the leveling adjustments necessary for proper product performance.



Deck



Undermount

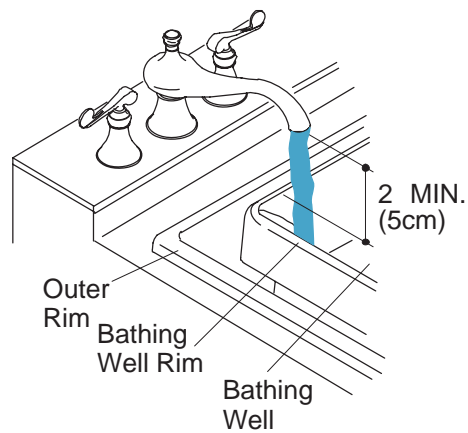


Alcove

2. Construct the Stud Framing

NOTICE: Provide unrestricted service access to the pump, in-line heater, adjustable feet, and control box. You must construct an access panel to provide sufficient clearance for servicing the pump, in-line heater, and control box.

- Construct stud framing designed for your particular installation. The overflowing bath can be installed in a deck, undermount, or alcove installation.
- Frame the floor, or construct a frame for a raised installation in accordance with the roughing-in information.
- When constructing the framing, allow for the thickness of sub and finished deck materials.
- Framing should be of 2x4 construction.
- For undermount installation, allow for the thickness of the planned deck material, and provide proper support. Do not support the overflowing bath by the rim.
- When planning the stud framing, take into account the required 2" (5cm) air gap between the end of the fill spout and the top of the bathing well rim. Take into account the thickness of your planned finished deck material, and construct the framing and deck material with this minimum air gap in mind.



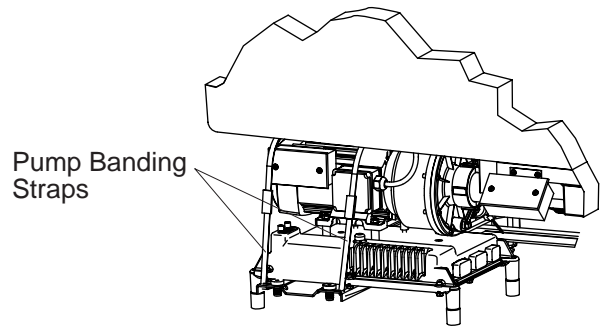
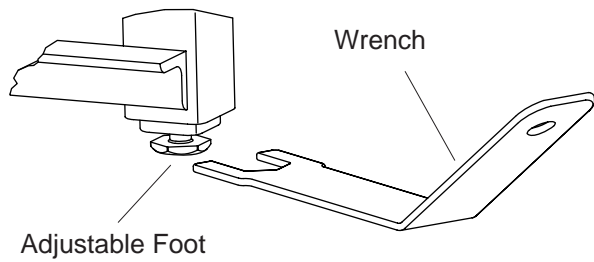
3. Install the Rough Plumbing

IMPORTANT! Choose a fill spout which will provide a minimum 2" (5cm) air gap above the basin rim of the overflowing bath. In addition, if you plan to install a deck-mounted, hand-held shower, the diverter vacuum breaker must maintain a minimum 1" (2.5cm) air gap above the outer rim of the overflowing bath.

- Position the plumbing. Position the fill spout supply so the spout will reach beyond both the outer rim and the bathing well rim. **Water from the fill spout must be directed into the bathing well to fill the overflowing bath.** The overflowing bath should never be filled by directing water into the overflow channel.
- Cap the supplies, and check for leaks.

4. Prepare the Unit

- Carefully lift the overflowing bath out of the carton.
- Identify the box located inside the overflow channel. This box contains the metal suction screen, and must be saved for use with this product.
- Install the drain according to the drain manufacturer's instructions. Do not connect the trap at this time.
- Position a clean drop cloth or similar material in the bottom of the bath. Be careful not to scratch the surface of the overflowing bath.



5. Position the Unit

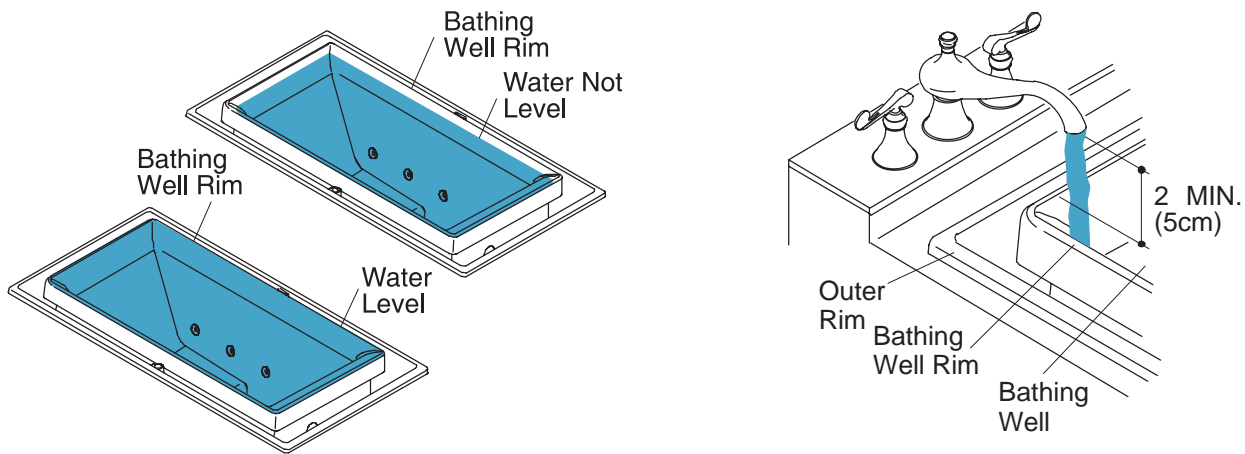
CAUTION: Risk of product damage. Do not lift or support the overflowing bath by the pump or piping.

NOTE: Do not use adhesive or a cement or mortar bed to secure this product to the subfloor.

- With help, carefully lift the overflowing bath into place.

NOTE: If you do not have a 4' (1.2 m) level, go to the next section.

- Level by turning the adjustable feet up or down with the wrench (7/8") attached to the harness near the pump. Make sure all four adjustable feet rest directly on the subfloor, and make sure the bathing well rim is level within 1/8" (3mm) in all directions.
- After the overflowing bath is level, adjust the leveling foot located underneath the pump. Turn the foot until it rests directly on the subfloor. Use an accurate 4' (1.2m) level, if available. Taking the time to carefully level the overflowing bath now minimizes the need to make leveling adjustments later in the installation.
- Cut and discard the banding straps from the pump.
- Make sure the rubber isolation feet are in place.
- Insert the drain tailpiece into the trap.



6. Level the Overflowing Bath (without level)

NOTICE: You do not need electrical power for the unit for the following leveling procedure.

- Insert the drain tailpiece into the trap, and connect the drain to the trap according to the drain manufacturer's instructions.
- Close the drain, and plug or cover the suction cover to temporarily make them watertight.
- Use a hose and fresh water supply to fill the bathing well to the bathing well rim.
- Observe the water level in relation to the bathing well rim, and use the wrench to turn the adjustable feet up or down as needed to obtain a uniform water level at each of the four corners.
- Open the drain, and unplug the suction cover to drain the bathing well.

IMPORTANT! Allow adequate access to each of the four adjustable feet until after you have test run your overflowing bath.

7. Install the Plumbing



CAUTION: Risk of property damage. Ensure a watertight seal on the drain connections.

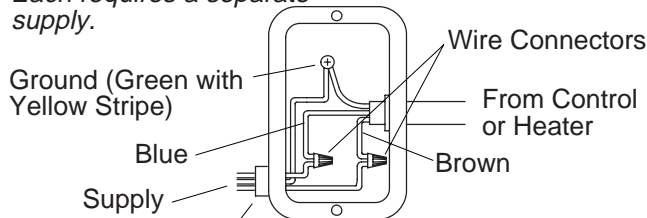
IMPORTANT! Choose a fill spout which will provide adequate air space above the bathing well rim of the overflowing bath. You may need to build up the deck material to obtain adequate air space because the outer rim may be lower than the bathing well rim. In addition, if you plan to install a deck-mounted, hand-held shower, the diverter vacuum breaker must maintain a minimum 1" (2.5cm) air gap above the outer rim.

NOTE: An access panel will simplify future maintenance.

- If you have not yet done so, connect the drain to the trap according to the drain manufacturer's instructions.
- Install the faucet valving according to the faucet manufacturer's instructions. Do not install the faucet trim until instructed.
- Make sure all butterfly valves and supply connections are tightened securely.
- Open the hot and cold water supplies, and check the supply connections for leakage.
- Run water into the bathing well, and check the drain connections for leakage.

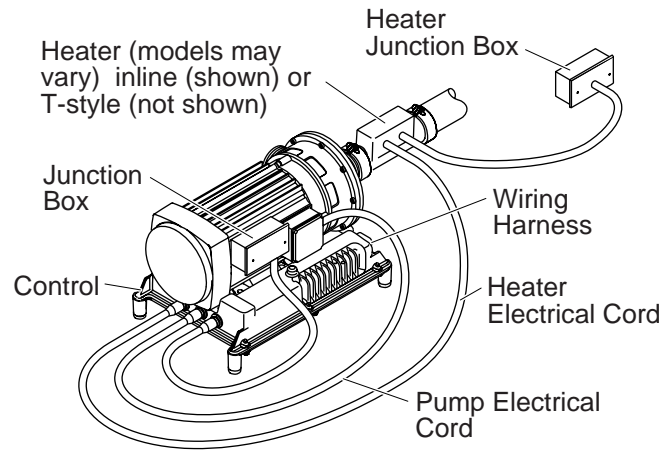
Both junction boxes should be wired as shown. Each requires a separate supply.

Bond in accordance with national and local codes



Electrician to provide suitable strain relief

	60 Hz	50 Hz	From Control or Heater
L1	L1	L1	Brown
L2	N	N	Blue



8. Make the Electrical Connections

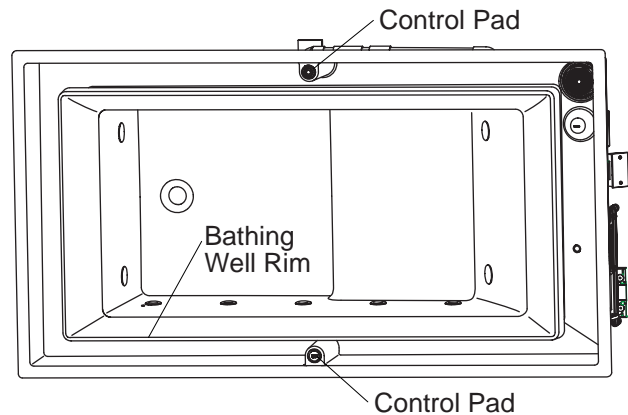
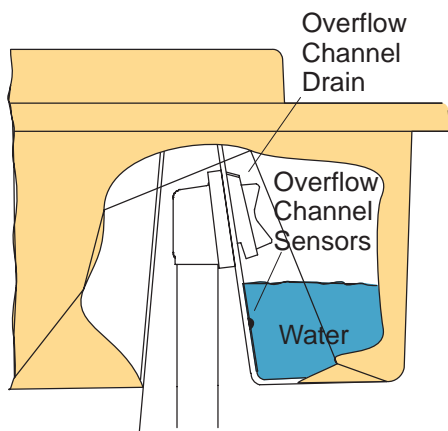
NOTE: The whirlpool model number is printed on a label near the whirlpool pump. This label also identifies the electrical rating of the whirlpool. **All whirlpools come equipped with a wiring junction box and will only operate at 220 V/240 V and at 50 Hz or 60 Hz.**

⚠ WARNING: Risk of electric shock. To reduce the risk of electric shock, connect the pump to a properly grounded Ground-Fault Circuit-Interrupter (GFCI) or Earth-Leakage Circuit-Breaker (ELCB). This will provide additional protection against line-to-ground shock hazard. A 220/240 V, 20 A, 50/60 Hz dedicated circuit is required for the pump, and a second 220/240 V, 50/60 Hz, 20 A dedicated circuit is required for the heater.

⚠ CAUTION: Risk of electric shock. All services must have a Class A Ground-Fault Circuit-Interrupter (GFCI) or ELCB which will provide additional protection against line-to-ground shock hazard. A dedicated service is required for the overflowing bath.

- The overflowing bath controls and system have been pre-wired at the factory using 220/240 V hardwire. A licensed electrician should make one routine service connection to the junction box located adjacent to the pump, and a second routine service connection for the heater junction box.
- Connect service to the junction box.
- Provide a separate equipment earthing conductor for the earth lug located inside the junction box. The earthing conductor must not be connected to any current-carrying conductor. Follow local electrical codes.
- Bond in accordance with national and local codes.
- One 220/240 V, 50/60 Hz, 20 A dedicated circuit is required for the pump control. A second 220/240 V, 50/60 Hz, 20 A dedicated circuit is required for the heater. Provide a Class A Ground-Fault Circuit-Interrupter (GFCI) or ELCB.
- Follow all local electrical codes.

NOTE: Your wiring harness includes an antenna for the remote control. Do not alter or damage this antenna during installation.



9. Test Run the Overflowing Bath

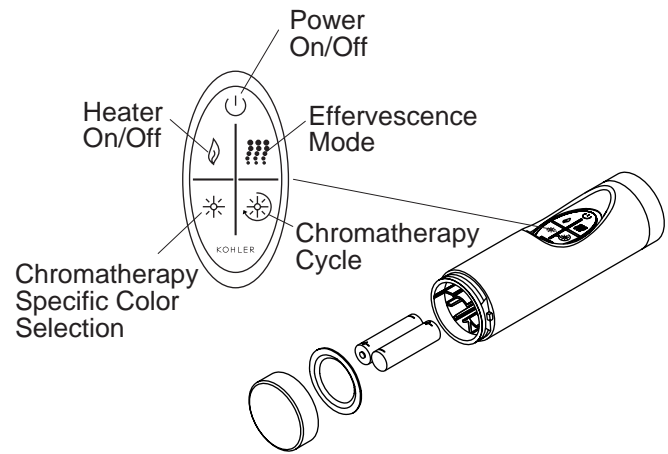
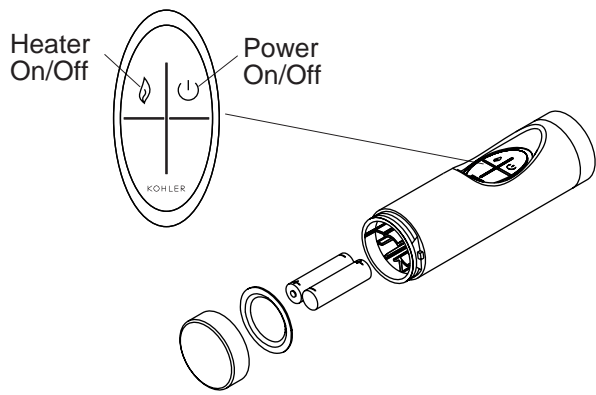
- Check all electrical connections, and make sure the electrical power to the unit is turned on.
- Make sure union connections to the pump, butterfly valves, and in-line heater are securely hand tightened. Make sure the bathing well and overflow channel are clean and free of debris.
- Position the metal suction screen over the plastic suction cover (see illustration, previous page). The pump may cavitate if the metal screen is not in place.
- Fill the overflowing bath bathing well with water so it overflows the bathing well rim and flows into the overflow channel. Continue filling the bathing well until both overflow channel sensors are completely covered with water, and the water level is at the drain overflow.
- Verify that the green light in the pump control switch starts to blink automatically within 1/2 minute after the overflow channel sensors are completely submerged.

10. Test the Control Switch

- Press the pump control switch to start the pump/motor and begin the hydro-therapy cycle. As the pump/motor turns on and the water begins to circulate, the light will turn to constant green, and will stay on as long as the overflowing bath is running.
- With the unit running, check all harness (piping) connections for leaks. Visually observe the cascading water flow over the bathing well rim to verify that it is smooth and even along all four sides and corners.
- If the water is cascading uniformly over all four sides of the bathing well rim, you do not need to make further leveling adjustments.
- If further leveling is necessary, keep the overflowing bath running and turn the adjustable feet up or down with the 7/8" wrench provided. Make sure the unit is resting on all four adjustable feet.
- Verify that the chromotherapy lights (if applicable) are operating. Press the chromotherapy control switch (located directly across the bath from the power switch) to turn on the lights. Upon start-up the lights should be changing through the color sequence. Press the light control switch a second time. The lights should stop sequencing and stay one color. Press the light control switch again and lights will deactivate.
- Check the harness connections for leakage one more time.
- Press the pump control switch again to turn off the overflowing bath. The green light in the pump control switch will then start to blink automatically (after approximately 1/2 minute) until the overflowing bath is drained or restarted.

NOTE: For additional information on operation of your overflowing bath, see the "Using Your Overflowing Bath" section.

IMPORTANT! Allow adequate access to each of the four adjustable feet until test run is complete.



11. Test the Remote Control

NOTE: There are two types of remote controls available: a basic unit and a unit with controls for chromatherapy and effervescence. Determine which unit you have and follow the corresponding directions.

NOTE: Your remote requires two AAA batteries. To install or replace them simply unscrew the base of the remote.

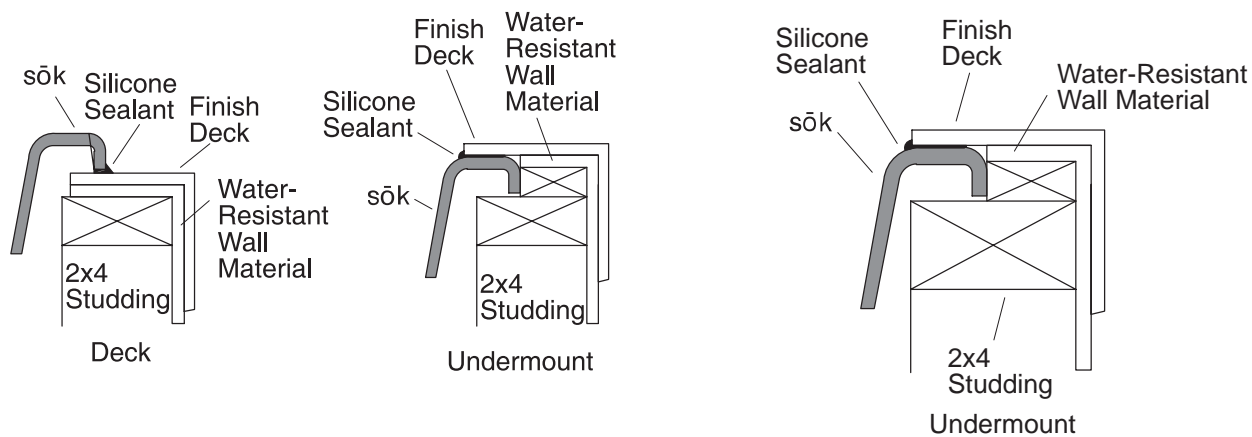
Your overflowing bath is equipped with a waterproof remote.

To turn the pump and the chromatherapy lights on and off, press the power button.

To reheat the water in the overflowing bath as it circulates, turn the heater on by pressing the heater icon (the heater defaults to "On" when the pump is turned on). Press the heater icon again to turn the heater off. The heater will not operate if the pump is off. If the heater is on the pump switch will be dark green. If the heater is off it will be yellow-green.

To cycle the chromatherapy lights through the spectrum of colors, press the chromatherapy cycle icon.

To lock an individual chromatherapy color in, press the chromatherapy specific color icon.



12. Complete the Finished Wall or Deck

NOTICE: Provide unrestricted service access to the pump, in-line heater, adjustable feet, and control box. You must construct an access panel to provide sufficient clearance for servicing the pump, in-line heater, and control box.

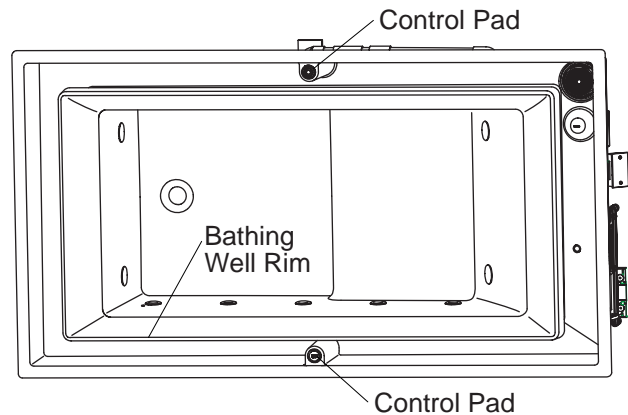
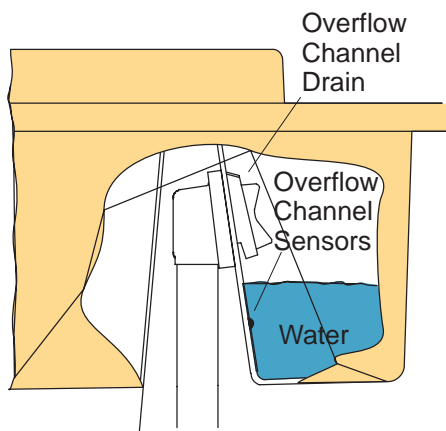
- Protect the product surface. Cover the framing with water-resistant wall material.
- Keep the entire overflow channel area exposed to allow access to the drain overflow, and to permit easy cleaning of the overflow channel surfaces.
- Seal the joints between the rim edge and the water-resistant wall or deck material with silicone sealant.
- Tape and mud the water-resistant wall material.
- Install the finished wall to the water-resistant wall material.
- Seal the joints between the product rim and the finished wall material with silicone sealant.

13. Install the Faucet Trim

- Install the faucet trim according to the instructions packed with the trim.

14. Clean-Up After Installation

- When cleaning up after installation, **do not use abrasive cleansers**, as they may scratch and dull the bath surface. Use warm water and a liquid detergent to clean the surface.
- Remove stubborn stains, paint, or tar with turpentine or paint thinner. **Do not allow cleaners containing petroleum distillates to remain in contact with any bath surfaces for long periods of time.** Remove plaster by carefully scraping with a wood edge. Do not use metal scrapers, wire brushes, or other metal tools. Use a powder-type detergent on a damp cloth to provide mild abrasive action to any residual plaster.



15. Using Your Overflowing Bath

Fill the Overflowing Bath

NOTE: Please read these steps carefully before you operate your overflowing bath.

- Make sure the metal suction screen is clean, and is correctly in place over the plastic suction cover.

NOTE: The water temperature in the bath should not exceed 104° F (40° C) or the heater will not operate.

IMPORTANT! Like any other bath, prevent flooding the area around the unit by entering the filled bathing well slowly. This will allow the system to properly drain excess water.

- Fill the unit with water so the bathing well overflows into the overflow channel to the drain. The channel sensors should be completely covered with water.
- The green light in the pump control switch will start to blink automatically within 1/2 minute after the sensors are submerged to let you know the unit is ready to start.

Operating Sequence

- Press the pump control switch to start the pump/motor and begin operation.
- As the pump/motor turns on and water begins to circulate, the light on the pump control switch will change to solid green, and will stay on as long as the overflowing bath is running.
- Verify that the indicator light for the heater is on when the overflowing bath is in operation. This indicator light is located on the underside of the heater box, and is near the subfloor at the pump end of overflowing bath. If the light is not on when the overflowing bath is running, try and reset the GFCI/ELCB.
- Press the pump control switch again to turn off the overflowing bath. The green light in the pump control switch will then start to blink automatically for approximately 1/2 minute until the overflowing bath is drained below the overflow channel sensors or restarted.

NOTE: A built-in timer automatically stops the bath after approximately 20 minutes of operation.

- Press the pump control switch again to start the pump/motor and begin operation.

16. Chromotherapy Light Operation (if equipped)

NOTE: These directions pertain to the use of the mounted control pad only. For more information, see the "Test the Remote Control" section.

If the chromotherapy lights are turned off, press the button on the control pad (located on the opposite side of the overflowing bath). The chromotherapy lights will begin to cycle through each of the colors (sweep mode).

When the chromotherapy lights are in sweep mode, you can lock in one color light by pressing the control button.

When an individual color is locked in, press the control button to turn the chromotherapy lights off.

Troubleshooting Procedures

Troubleshooting Table

For warranty service, contact your dealer or wholesale distributor. This Troubleshooting Guide is for general aid only. Contact a Kohler Authorized Service Representative or a qualified electrician to correct all electrical problems. For warranty service, contact your dealer or wholesale distributor.

Symptoms	Probable Causes	Recommended Action
1. Green light in "On/Off" control switch flashes before the bathing well is full of water.	<ul style="list-style-type: none"> A. Spout fills directly into overflow channel. B. One or both butterfly valves do not work. C. Control does not work. 	<ul style="list-style-type: none"> A. Adjust/reinstall the spout to fill directly into the bathing well. Refer to the installer/dealer. B. Check the butterfly valve wiring or replace the butterfly valves. Refer to the installer/dealer. C. Check the wiring or replace the control. Refer to the installer/dealer.
2. Product does not start.	<ul style="list-style-type: none"> A. No power to unit. B. Water does not cover the overflow channel sensors. C. "On/Off" control switch does not light up or flash when the unit is running or filled as required. D. Pump/motor does not work. E. Control does not work. 	<ul style="list-style-type: none"> A. Turn on the power to the unit, or correct the source of the power loss. Refer to the installer/dealer. B. Fill the bathing well until water flows over the bathing well rim, into the overflow channel, and covers the overflow channel sensors. Suggested fill level is to the drain overflow. C. Check the wiring or replace the "On/Off" control switch. Refer to the installer/dealer. D. Rebuild or replace the pump/motor. Refer to the installer/dealer. E. Check the wiring or replace the control. Refer to the installer/dealer.
3. Water does not cascade evenly over the entire bathing well rim.	<ul style="list-style-type: none"> A. Unit is not level. B. Bathing well ports are blocked. C. Metal suction screen is blocked. 	<ul style="list-style-type: none"> A. Level the unit by using the wrench provided to turn the adjustable feet up or down as needed. B. Remove blockage. C. Clean the metal suction screen.
4. Unit stops automatically before 18 minutes.	<ul style="list-style-type: none"> A. GFCI/ELCB trips. 	<ul style="list-style-type: none"> A. Identify the source of the fault and correct. Refer to the installer/dealer.

Troubleshooting Procedures (cont.)

Symptoms	Probable Causes	Recommended Action
	<p>B. Motor overheated and protection device activated.</p> <p>C. Water level drops below the overflow channel sensors during operation ("yellow" ring will be flashing on pump switch).</p>	<p>B. Check for blockage of the motor vent. Allow the motor to cool, then remove the blockage. Check for a plugged metal suction screen, and allow the motor to cool before restarting. Check for blockage of the bathing well ports. Remove the blockage, and allow the motor to cool before restarting.</p> <p>C. Fill the bathing well until water flows over the bathing well rim, into the overflow channel, and covers the overflow channel sensors. Suggested fill level is to the drain overflow. Make sure the bath drain seals properly.</p>
<p>5. Noisy operation.</p>	<p>A. Metal suction screen is not in place over the plastic suction cover.</p> <p>B. Insufficient water level in the overflow channel.</p> <p>C. Pump/motor rattles.</p>	<p>A. Position the metal suction screen over the plastic suction cover to prevent cavitation.</p> <p>B. Fill the bathing well until water flows over the bathing well rim, into the overflow channel, and covers the overflow channel sensors. Suggested fill level is to the drain overflow. Make sure the bath drain seals properly.</p> <p>C. Make sure the pump/motor banding straps have been cut.</p>
<p>6. Water temperature drops significantly over 20 minutes of operation.</p>	<p>A. Heater limit switch tripped. Indicator light should be "On" during operation.</p> <p>B. Heater does not work.</p>	<p>A. Reset the GFCI/ELCB.</p> <p>B. Check the wiring or replace the heater. Refer to the installer/dealer.</p>
<p>7. Chromatherapy lights do not work.</p>	<p>A. Damaged wiring harness.</p> <p>B. Control does not work.</p>	<p>A. Check the wiring or replace the control. Refer to the installer/dealer.</p> <p>B. Replace wiring harness. Refer to the installer/dealer.</p>
<p>8. Remote control does not work</p>	<p>A. Batteries improperly installed or dead.</p> <p>B. Control does not work.</p> <p>C. Remote control is not programmed correctly.</p>	<p>A. Replace the batteries.</p> <p>B. Replace wiring harness. Refer to the installer/dealer.</p> <p>C. See homeowners guide or service manual.</p>

Troubleshooting Procedures (cont.)

Symptoms	Probable Causes	Recommended Action
<p>9. Water does not reach bath rim upon filling.</p>	<p>D. Faulty remote control. E. Faulty control. A. No power to the unit. B. Level probe wires loose. C. Butterfly valves faulty. D. Faulty control.</p>	<p>D. Replace the remote control. E. Replace the control. A. Turn on the power. B. Check/reconnect wires. C. Check wiring; replace butterfly valves if necessary. D. Replace control.</p>

Guide d'Installation

Baignoire à D'Ébordement

Renseignements importants



AVERTISSEMENT : Les précautions de base seront observées pour l'installation des équipements électriques, incluant ce qui suit :



DANGER : Risque d'électrocution. Connectez uniquement à un circuit protégé par un disjoncteur coupe-circuit (GFCI) ou à un coupe-circuit de fuite à la terre (ELCB).



AVERTISSEMENT : Risque d'électrocution. Tout raccords électriques doivent être réalisés par un électricien qualifié.



AVERTISSEMENT : Risque d'électrocution. Débrancher l'alimentation avant de procéder à l'entretien.



AVERTISSEMENT : Risque de blessures ou de dommages matériels. Veuillez lire avec attention cette notice avant de commencer l'installation, incluant ci-après:

AVIS : Respecter les codes de plomberie et de bâtiment locaux.

Installer de façon à permettre l'accès pour l'entretien.

Un câble électrique vert avec une rainure jaune et fournit dans le compartiment du câblage. Afin de réduire les risques d'électrocution, raccordez le câble de sortie à la borne de terre du panneau de service électrique, avec un câble en cuivre ayant la même calibre que celui du fil conducteur qui alimente cet équipement.

Un connecteur à pression par câbles est prévu à l'extérieur de la pompe ou de la commande de cet appareil afin de permettre la connection entre l'appareil et les surfaces de métal avoisinantes, tel que requis par les normes locale.

Une mise à la terre est requise. L'unité doit être installée et mise à la terre par un électricien qualifié.

Les matériaux de construction et le câblage doivent être posés loin de la pompe et d'autres composants conducteurs de chaleur de l'unité.

Renseignements importants

Notices du Produit



AVERTISSEMENT : Des modifications non approuvées pourraient provoquer un fonctionnement dangereux ou un mauvais rendement de la Baignoire débordante. Ne pas relocaliser les pompes d'hydromassage ou effectuer d'autres modifications au système car il pourrait en résulter à une dégradation du rendement de la Baignoire Débordante et cela pourrait affecter son fonctionnement dans des conditions de sécurité. La société KOHLER décline toute responsabilité quant à toute blessure ou endommagement causés par toutes modifications non autorisées.

Inspection du Produit

Déballer le produit et examinez soigneusement pour déceler tout dommage. Remettre l'unité dans le carton au cours de la construction pour prévenir tout dégâts.

AVIS : S'assurer que tous les raccords de la pompe, chauffe-eau en ligne et vannes papillon soient correctement serrés. Ne pas trop serrer.

Renseignements importants (cont.)

Pièces assemblées à l'usine

Les composants installés à l'usine comprennent la pompe, les capteurs de niveau d'eau, l'élément de chauffage intégré, les lumières immergées chromatique (en option), commande et l'interrupteur. La pompe et la tuyauterie ont été assemblées à l'usine.

Raccordement et Entretien

AVIS : Faire en sorte qu'il soit toujours possible d'accéder à la pompe et au chauffe-eau. Faire en sorte qu'il soit toujours possible d'avoir accès à la pompe, chauffe-eau, pieds réglables et le boîtier de commande. Prévoir un panneau d'accès avec suffisamment de dégagement pour l'entretien de la pompe, le chauffe-eau et le boîtier de commande. Le panneau d'accès doit être placé tout près de la pompe et du chauffe-eau. Se rapporter au diagramme de raccordement.

Branchement Électrique Requis

L'installation électrique doit être uniquement raccorder à un disjoncteur coupe-circuit (GFCI) ou à un coupe-circuit de fuite à la terre (ELCB). Le GCFI/ELCB protège contre une électrocution par la mise à la terre. Utilisez 240V, 20A, 50/60Hz pour la pompe. Utilisez une ligne différente de 240V, 20A, 50/60Hz pour le chauffe-eau.

Une borne de mise à la terre est incluse dans le compartiment du câblage. Afin de réduire les risques d'électrocution, raccorder la borne de mise à la terre du panneau du service électrique, avec un câble ayant le même calibre que celui du conducteur qui alimente cet équipement.

Installer l'unité conformément au code électrique Canadien, première partie.

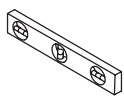
Merci d'avoir choisi les produits de la Société KOHLER

Nous apprécions votre engagement envers la qualité de KOHLER. Veuillez lire attentivement ce guide avant de commencer l'installation. En cas de problèmes d'installation ou de fonctionnement, n'hésitez pas à nous contacter. Nos numéros de téléphone et de site Internet sont verso. Merci encore d'avoir choisi les produits KOHLER.

Outils et Matériaux Recommandés



Mastic
silicone



Niveau de
4 pi (1,2 m)



Ruban à
mesurer



Lunettes de
protection



Crayon

Outils et matériaux pour le
bois

Linge de protection

Montants de 2x4 ou 2x6

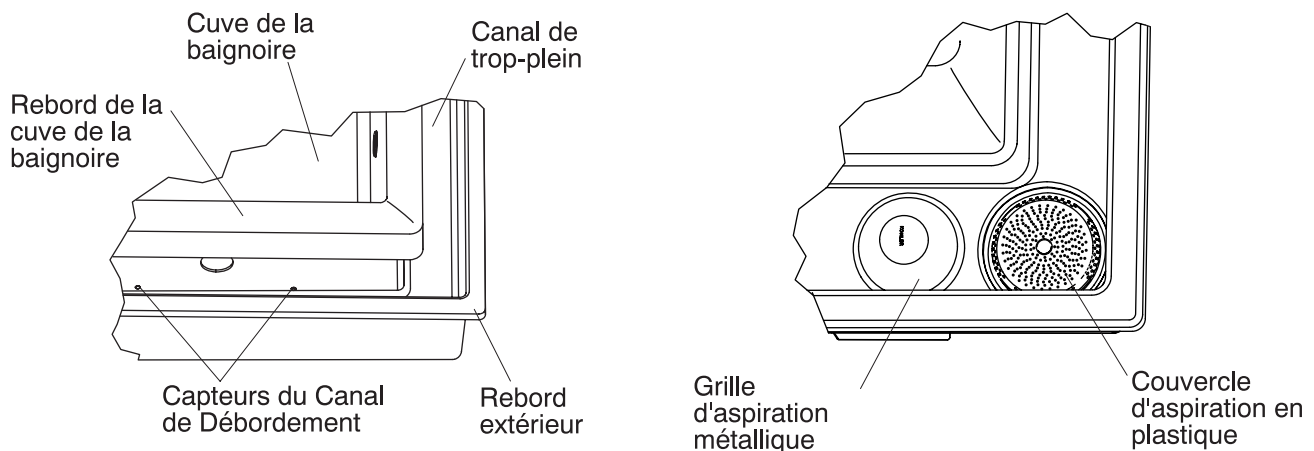
Introduction

Veuillez lire avec attention cette notice pour connaître les outils et matériaux requis, ainsi que les étapes d'installation. Suivez les étapes qui s'appliquent particulièrement à votre installation. Ceci vous évitera des erreurs coûteuses. Outre les conseils d'installation appropriée, lisez toutes les instructions d'utilisation et de sécurité.

Tout les renseignements contenus dans ce manuel d'instruction ont été revues et corrigés avant sa publication. Chez KOHLER, nous tentons toujours à améliorer nos produits ; nous nous réservons donc le droit d'apporter des modifications aux caractéristiques des produits, à l'emballage ou à la disponibilité à tout moment et sans préavis.

Avant de commencer

- La Baignoire à D'Ébordement est conçue pour une installation encastrée dans un socle. Il est aussi possible de réaliser une installation par dessous ou dans un compartiment .
- La Baignoire Débordante doit avoir le support nécessaire du plancher pour permettre le réglage à niveaux de l'unité au cours de l'installation.
- Prévoir un cadre de dimensions appropriées.
- Choisir un bec verseur de remplissage d'une longueur adéquate et situé à un minimum de 2 po (5 cm) au-dessus du rebord du Débordement. Vous serez peut être amené à contruire une plate-forme pour obtenir un espace nécessaire pour que les rebords extérieur puissent être plus bas que la cuve de la Baignoire Débordante
- Suivez tout les codes de plomberie.
- La Baignoire Débordante doit être remplie par l'unité de remplissage et non pas par le canal de Débordement.
- Si l'on installe une douchette à main sur plan, le brise-vide d'inverseur doit avoir un écart anti-retour d'un minimum de 1 po (2,5 cm) au-dessus du rebord extérieur.
- Si ll'on utilise le K-922 ou K-923 bec de baignoire à débit laminaire avec le plateau d'égouttage K-924, la distance du mur à la paroi extérieure du canal de déversement ne doit pas excéder des 2 po (5 cm).
- Si l'on utilise un bec de baignoire à débit laminaire K-922 ou K-923 avec le récipient d'égouttement K-924, la distance du mur fini à la paroi extérieure du canal de déversement ne doit pas excéder de 2 po (5 cm).



Liste de nouveaux mots

- **Cuve de baignoire**- Partie profonde de la baignoire utilisée par l'utilisateur.
- **Rebord de cuve de baignoire** -Bord le plus élevé entre la cuve de baignoire et le canal de Débordement. L'eau tombera en cascade de façon égale sur le rebord de cuve et dans le canal de Débordement pendant le fonctionnement de la baignoire.
- **Cavitation**- Si de l'air est introduit dans la pompe à la place de l'eau, cela entraîne le mauvais fonctionnement ou l'arrêt de la pompe.
- **Commande du tableau chromatique**- Essayez les lumières chromatiques (si équipé).
- **Lumières Chromatique**- Les lumière fournies pour la Baignoire Débordante Bulles d'air Chaudes (si équipé) pour exalter votre confort.
- **Chauffage**- Conçu pour aider à maintenir automatiquement la température de l'eau jusqu'à 104°F (40° C) pour exalter votre expérience d'hydromassage. Le chauffe-eau s'active automatiquement lorsque la Baignoire d'Hydromassage est en service, puis il s'éteint de lui même lorsque le moteur de pompe est arrêté.
- **Commande principal**- Cette unité est localisée sous la pompe. Si fournit, le "cerveau" du système, interprétant tout signaux.
- **Grille d'aspiration métallique**- Grille métallique amovible située sur le couvercle d'aspiration dans le canal de déversement. La crépine d'aspiration doit être toujours propre et à sa place pendant le fonctionnement de l'unité, pour éviter que les débris ne rentrent dans l'entrée d'eau, ce qui peut provoquer la cavitation et le mauvais fonctionnement.
- **Rebord extérieur**- Rebord le long le côté extérieur de la baignoire déversante.
- **Canal de déversement**-Canal qui enlève l'eau autour de la cuve de baignoire. Le canal de déversement enlève l'eau qui tombe de la cuve de baignoire pendant le fonctionnement de l'unité. L'eau est ensuite amenée envers le système de renvoi pour sa recirculation.
- **Capteurs de canal de déversement**- Les deux conducteurs situés dans la paroi du canal de déversement au-dessous de l'abat-vent de trop-plein. Ces capteurs préviennent le fonctionnement de la pompe lorsque le niveau d'eau est insuffisant, en éteignant la pompe si le niveau d'eau descend au-dessous des capteurs. La pompe fonctionnera uniquement lorsque les deux capteurs sont complètement submergés.
- **Interrupteur de la pompe**- Marche/Arrêt.
- **Couvercle d'aspiration en plastique**- Protection plastique attachée au tuyau d'entrée situé dans canal de déversement. Le couvercle d'aspiration doit être installé en tout temps pour obtenir un fonctionnement sécuritaire.
- **Pompe**- La pompe circule l'eau.

Liste de nouveaux mots (cont.)

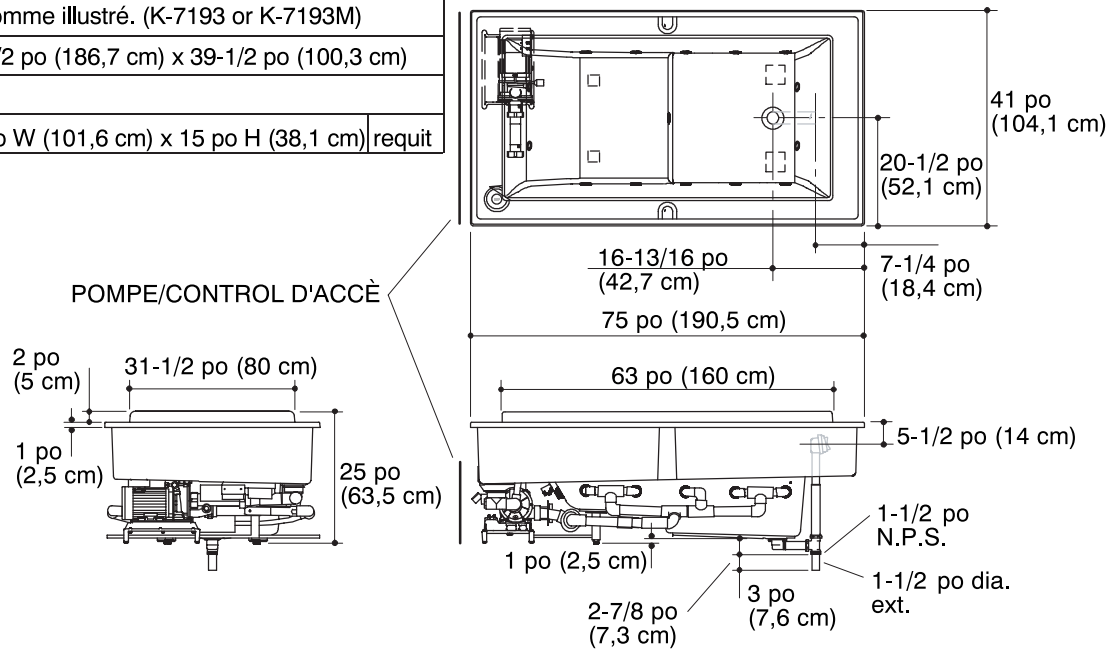
- **Rampe du câblage électrique**- La rampe du câblage électrique connecte tout les composants périphérique (Valves, pompe, interrupteur, lumière) á la commande centrale.

Aucun changement des mesures seront nécessaires si connecté au drain comme illustré. (K-7193 or K-7193M)

Coupez 73-1/2 po (186,7 cm) x 39-1/2 po (100,3 cm)

Accès minimal :

Pompe/control 40 po W (101,6 cm) x 15 po H (38,1 cm) requit

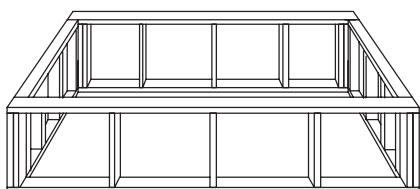


1. Information du diagramme de raccordement

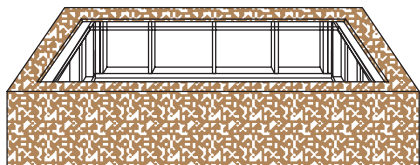
AVIS : Le support du plancher sous la baignoire doit pouvoir soutenir une charge minimale de 2000 lbs. (907.2Kg)

- Deux unités de 240V sont nécessaire. Une pour le control de la pompe et une pour le chauffe eau.
- Se reporter aux codes nationaux et locaux pour les normes d'écart anti-retour lorsque l'on installe le bec sur la plage de pose du robinet.
- La baignoire déversante devrait se remplir à partir de la cuve.
- Le tuyau fournissant l'eau chaude doit être 70% ou plus.
- L'unité conforme à ANSI Norme Z124.1. Toutes dimensions sont nominales.
- Il n'y a pas de changement dans les mesures si connecté eau drain illustré (K-193, K-7193M).
- Gabarit = 73-1/2 po (186,7 cm) x 39-1/2 po (100,3 cm).
- Prévoir un panneau d'accès. Les dimensions recommandées pour le panneau sont : 40 po (101,6 cm) Largeur x 15 po (38,1 cm) Hauteur. Se reporter au diagramme de raccordement pour repérer les emplacements recommandés.
- Assurez-vous que le sol est en bonne condition et offre un support adéquat.

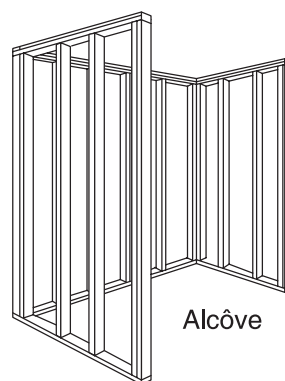
IMPORTANT ! S'assurer que le sous-plancher soit plat et de niveau. Ceci minimisera les réglages nécessaires pour le bon fonctionnement du produit.



Sur plan



Sur podium

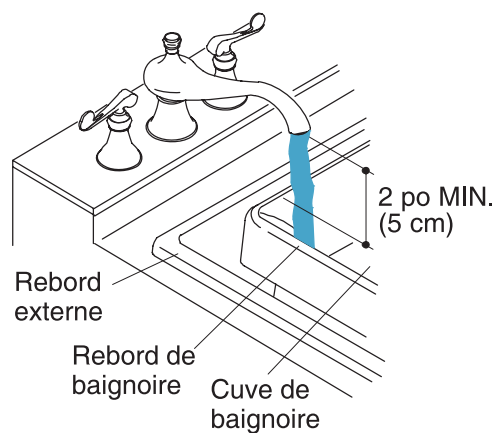


Alcôve

2. Construire l'ossature

AVIS : Faire en sorte qu'il soit toujours possible d'avoir accès à la pompe, chauffe-eau, pieds réglables et boîtier de commande. Prévoir un panneau d'accès avec suffisamment de dégagement pour l'entretien de la pompe, le chauffe-eau directe et le boîtier de commande.

- Construire une ossature en poutrelles pour votre installation. La baignoire déversante peut être installée sur un plan, par dessous ou dans alcôve.
- Préparer le plancher ou construire une ossature pour une installation sur podium, selon le diagramme de raccordement.
- Pendant la construction de l'ossature, tenir compte de l'épaisseur du plancher et des matériaux du plan.
- Construire l'ossature avec des montants de 2x4.
- Pour une installation par dessous, tenir compte de l'épaisseur du matériau du plan et prévoir le support en conséquence. Ne pas appuyer la baignoire déversante sur le rebord.
- Préparer les montants du cadre, prenez en compte des 2 po (5 cm) d'espace entre le bec d'un robinet et le rebord supérieur de la baignoire. Tenir compte de l'épaisseur du matériau de plan fini, puis compléter l'ossature et le plan.



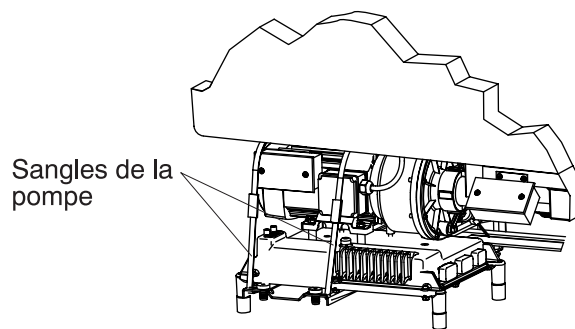
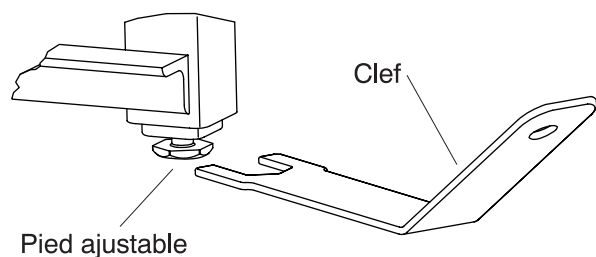
3. Installer la plomberie brute

IMPORTANT ! Choisissez un bec de robinet avec un minimum de 2 po (5 cm) d'espace au-dessus du rebord du Débordement Si vous installez un douchette à main, le bec inverseur doit avoir un écart anti-retour d'un minimum de 1 po (2,5 cm) au-dessus du rebord extérieur du Débordement.

- Positionner la plomberie. Positionner le bec de remplissage pour qu'il atteigne au-delà du rebord extérieur et du rebord de baignoire. **L'eau provenant du bec de remplissage doit s'écouler directement dans la cuve de baignoire pour remplir l'unité déversante.** La baignoire déversante ne devrait jamais se remplir en versant de l'eau directement dans le canal de déversement.
- Fermer les robinets d'arrêt et vérifier s'il y a des fuites.

4. Préparation de l'unité

- Déballez la Baignoire à Débordement avec précaution.
- Identifier une boîte située dans le canal de déversement. Cette boîte contient la grille d'aspiration métallique à être utilisée avec ce produit.
- Installez le drain conformément à la notice du fabricant. Ne pas brancher le siphon.
- Placez un linge ou matière similaire sous la baignoire. Travaillez soigneusement pour ne pas rayer la surface du produit.



5. Positionnez l'unité

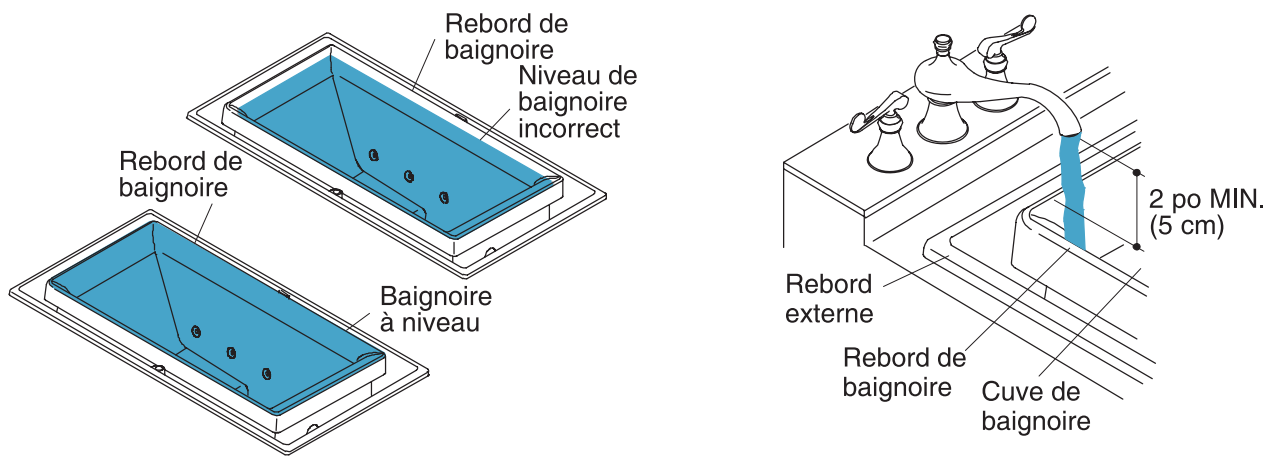
⚠ ATTENTION : Risque d'endommagement du produit. Ne pas soulever ou supporter l'unité par la pompe ou la tuyauterie.

REMARQUE : Ne pas utiliser d'adhésifs, ciment ou mortier pour sécuriser le produit au plancher.

- Avec de l'aide, positionner la Baignoire à Débordement en place.

REMARQUE : si vous n'avez pas un niveau de 4 pi (1,2 m), reportez-vous à la section suivante.

- Mettre de niveau en pivotant les pieds réglables à l'aide de la clé de 7/8 po attachée aux tuyaux près de la pompe. S'assurer que les quatre pieds s'appuient sur le plancher et que le rebord de cuve de baignoire soit à niveau.
- Ajustez le pied réglable situé en-dessous de la pompe. Pivoter le pied jusqu'à ce qu'il contacte le plancher. Si possible, utilisez un niveau de 4 pi (1,2 m). En prenant le temps nécessaire pour mettre la Baignoire à Débordement à niveau, il vous sera possible d'éviter des réglages ultérieurs.
- Coupez et jetez les sangles de retenue de la pompe.
- Assurez-vous que les isolations en caoutchouc des pieds sont bien en place.
- Introduire le tuyau dans le siphon.



6. Nivellez la Baignoire à Débordement (sans niveau)

AVIS : Vous ne nécessitez pas de raccords électriques pour les procédures de mise à niveau suivantes.

- Introduire l'about dans le siphon et raccorder le drain au siphon selon la notice du fabricant.
- Fermer le drain et obturer temporairement le couvercle d'aspiration pour créer une unité étanche.
- Remplissez la cuve de baignoire à l'aide d'un flexible.
- Observez le niveau d'eau par rapport au rebord de la cuve de la baignoire, puis pivotez les pieds réglables avec la clé fournie, jusqu'à obtenir un niveau d'eau uniforme sur chaque côté.
- Ouvrez le drain et le couvercle d'aspiration pour faire évacuer l'eau de la cuve de baignoire.

IMPORTANT ! Prévoir suffisamment d'accès aux quatre pieds réglables pour effectuer l'essai de fonctionnement de la Baignoire à Débordement.

7. Installation de la plomberie



ATTENTION : Risque de dommages matériels. Assurer un joint étanche sur les raccords de drain.

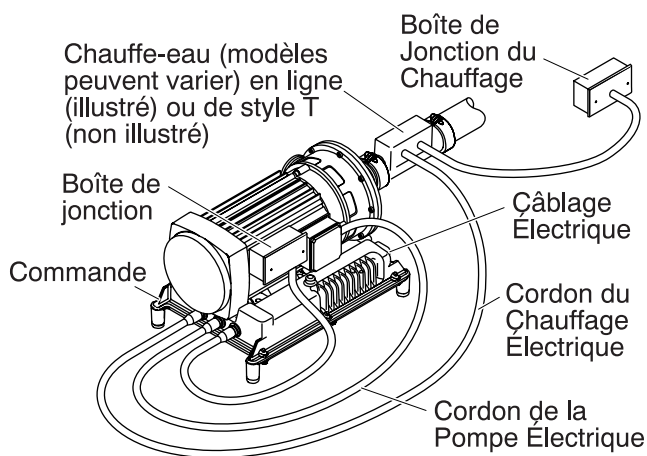
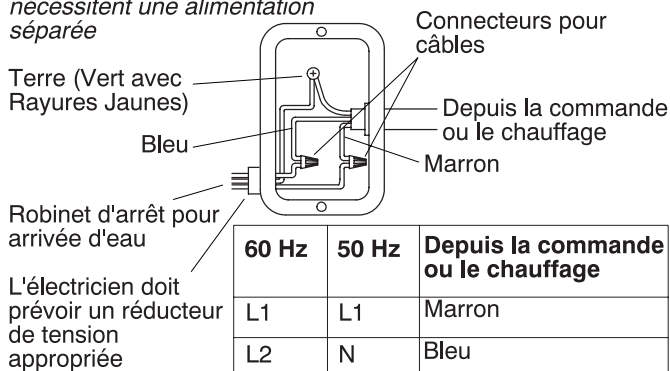
IMPORTANT ! Choisir un bec de remplissage pour permettre suffisamment de dégagement par-dessus le rebord de la cuve de la Baignoire à Débordement. Puisque le rebord extérieur est plus bas que la cuve de la baignoire, il se peut que vous ayez à augmenter la hauteur du plan afin d'obtenir l'espace anti-retour nécessaire. Si l'on installe une douchette sur plan, le brise-vide d'inverseur doit avoir un espace anti-retour d'un minimum de 1 po (2.5 cm) au-dessus du rebord extérieur.

REMARQUE : Un accès libre au panneau simplifiera l'entretien future.

- Si cela n'a pas été fait déjà, raccorder le drain au siphon selon la notice du fabricant.
- Assemblez le robinet conformément à la notice du fabricant. Ne pas installer la rosace avant son instruction.
- Assurez-vous que les vannes papillon et les raccords d'arrivée d'eau soient bien serrés.
- Ouvrez les robinets d'arrêt et vérifiez les fuites.
- Laissez couler l'eau dans la baignoire et vérifiez s'il y a des fuites dans les raccords du drain.

Les deux boîtes de jonctions doivent être connectées selon l'illustration. Chacunes nécessitent une alimentation séparée.

Raccorder en accord avec les codes nationaux et locaux.



8. Raccordement électrique

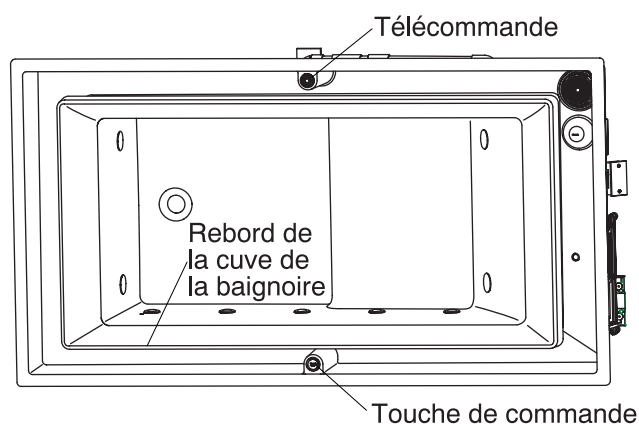
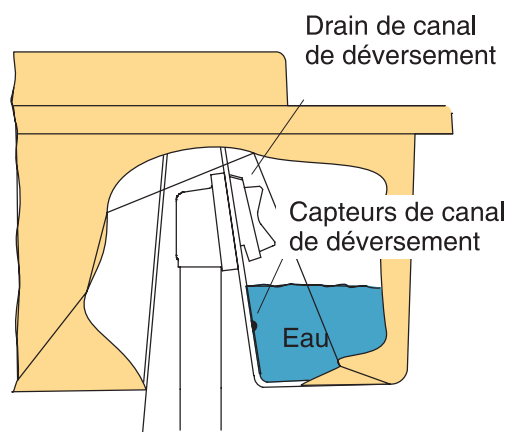
REMARQUE : Le numéro de modèle de la baignoire se trouve sur l'étiquette de la pompe. Cette étiquette identifie les caractéristiques électriques nominales du produit. **Toutes Baignoires hydromasseuses sont équipées d'un boîtier électrique de jonction et ne fonctionneront qu'avec du 220 V / 240V et 50/60 Hz.**

⚠ AVERTISSEMENT : Risque d'électrocution. Pour réduire les risques d'électrocution, connectez proprement la pompe à un disjoncteur coupe-circuit (GFCI) ou à un coupe-circuit de fuite à la terre (ELCB). Cela constitue une mesure de protection additionnelle qui prévient la possibilité d'un choc électrique. Un circuit de 220/240 V, 20 A, 50/60 Hz est requis pour la pompe, et un deuxième 220/240 V, 20 A, 50/60 Hz est requis pour le chauffe-eau.

⚠ ATTENTION : Risque d'électrocution. Toutes unités doivent avoir un disjoncteur de coupe-circuit de mise à la terre (GFCI) ou ELCB qui proviendra une protection supplémentaire contre une électrocution. Une ligne spécifique est requise pour la Baignoire à Débordement.

- Les contrôles et systèmes de la Baignoire à Débordement ont été pré-câblés en usine utilisant un câblage de 220/2240 V.
- Raccordez la ligne de raccordement à la boîte de jonction.
- Prévoir un équipement séparé de mise à la terre pour la connection de la boîte de jonction. Le conducteur de la mise à la terre ne doit pas être connecté à tout autres conducteurs d'alimentation de courant. Suivez tous les codes électriques.
- Reportez-vous aux codes Nationaux et Locaux.
- Un circuit spécifique de 220/240 V, 50/60 Hz, 20 A est requis pour la pompe. Un deuxième circuit spécifique de 220/240 V, 20 A, 50/60 Hz est requis pour le chauffe-eau. Fournissez un disjoncteur de coupe-circuit de mise à la terre (GFCI) ou ELCB.
- Suivez tous les codes électriques.

REMARQUE : Votre câblage électrique inclut une antenne pour votre télécommande. Ne pas modifier ou endommager cette antenne pendant l'installation.



9. Faire un essai de fonctionnement de la Baignoire Débordante

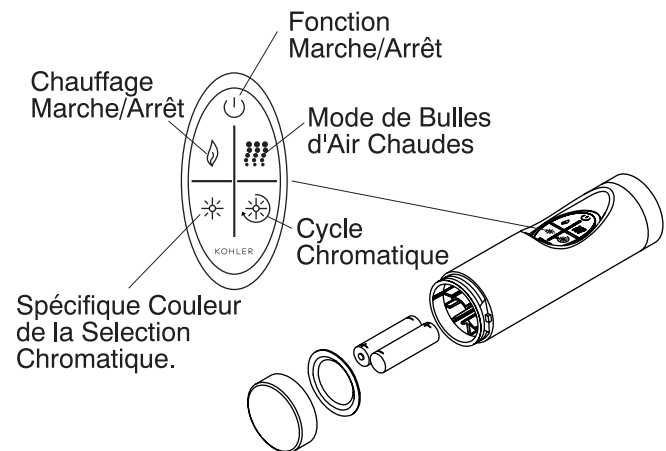
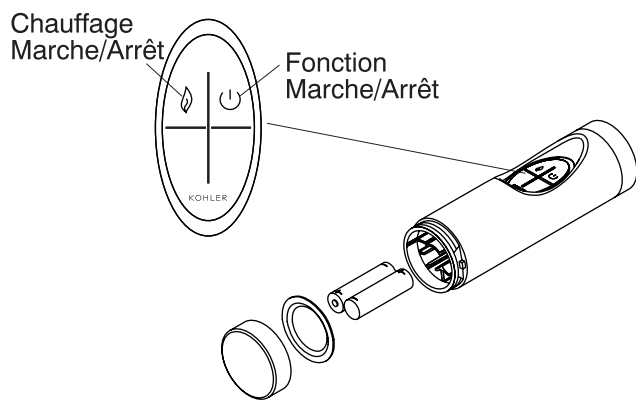
- Contrôlez tous les raccordements électriques de l'appareil et assurez-vous que l'alimentation électrique soit en circuit.
- Assurez-vous que tous les raccords de la pompe, les vannes papillon et le chauffe-eau soient proprement serrés à la main. Assurez-vous que la cuve de la baignoire et le canal de débordement soient très propres.
- Positionnez la grille d'aspiration métallique sur le couvercle d'aspiration plastique (voir illustration, page précédente). L'absence de la grille métallique peut causer la cavitation de la pompe.
- Remplissez la cuve de la Baignoire à Débordement pour que l'eau déborde par le rebord et s'écoule dans le canal de Débordement. Remplissez la cuve de la baignoire jusqu'à ce que les capteurs du canal de Débordement soient complètement sous l'eau et le niveau d'eau ait atteint le trop-plein du drain.
- Assurez-vous que la lumière verte de l'interrupteur de commande clignote automatiquement environ 30 secondes, après que les capteurs du canal de Débordement soient complètement immergés.

10. Faire l'essai des interrupteurs de la commande

- Appuyez sur l'interrupteur de commande pour activer le moteur de la pompe et commencer le cycl d'hydrothérapie. Quand le moteur de la pompe s'active et l'eau commence à couler, la lumière deviendra verte, et le restera pendant que la Baignoire à Débordement sera en marche.
- Avec l'unité en marche, vérifiez s'il y a des fuites dans les raccords de tuyauterie. S'assurer que l'eau provenant de la cuve tombe en cascade de façon égale le long les quatre côtés.
- Des réglages ultérieurs ne seront pas nécessaires lorsque l'eau tombe de façon uniforme.
- Pour tout réglages ultérieurs, maintenir la Baignoire à Débordement en marche et pivotez les pieds réglables avec la clé de 7/8 po fournie. L'unité doit s'appuyer sur les quatre pieds réglables.
- Vérifiez que les lumières chromatiques fonctionnent. Appuyez sur l'interrupteur des lumières chromatiques (situé directement du côté opposé de la baignoire) pour allumer les lumières. Le démarrage de l'unité mettra en marche la séquence de couleurs des lumières. Appuyez sur le bouton de contrôle des lumières une deuxième fois. Le cycle de parcours des lumières devrait s'arrêter et rester de la même couleur. Poussez l'interrupteur des lumières encore une fois pour les éteindre.
- Vérifiez s'il y a des fuites sur les raccords de tuyauterie.
- Appuyez sur l'interrupteur de la pompe une deuxième fois pour arrêter la Baignoire à Débordement. La lumière verte de l'interrupteur de la pompe clignotera automatiquement (pendant 30 seconde) jusqu'à ce que la Baignoire à Débordement soit vidée ou remise en marche.

REMARQUE : Pour plus d'information concernant le fonctionnement de la Baignoire à Débordement, reportez vous à la section "Utilisant la Baignoire à Débordement"

IMPORTANT ! Prévoyez un accès aux quatre pieds réglables pendant l'essayage de la baignoire.



11. Faire un essai de l'interrupteur de la commande

REMARQUE : Il y a deux types de télécommandes disponibles. Une régulière et une avec le control des lumières chromatiques et des Bulles d'air Chaud. Déterminez quel type d'unité vous avez et suivez les étapes d'installation appropriées.

REMARQUE : Votre télécommande nécessite deux piles "AAA". Pour les installer ou les remplacer, retirez simplement la base de la télécommande.

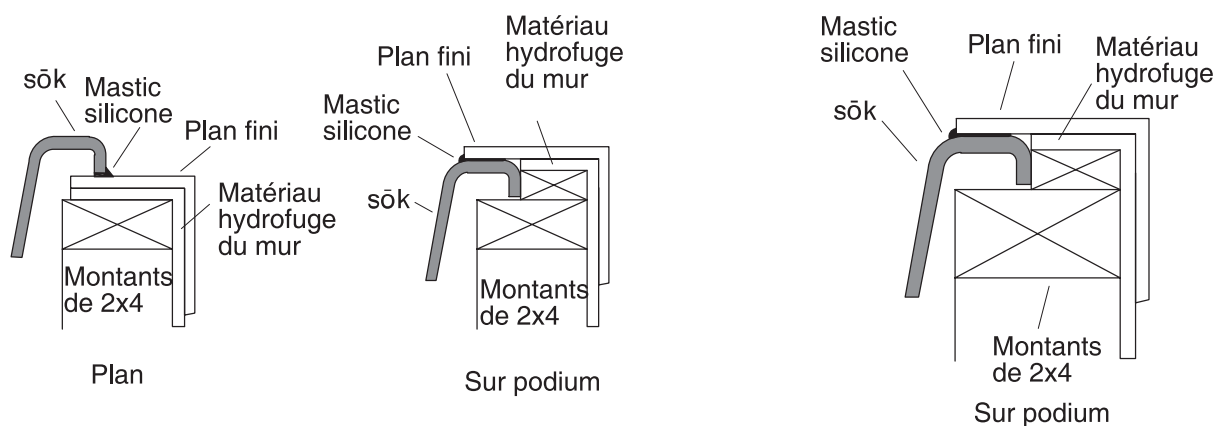
Votre Baignoire à Débordement est équipée d'une télécommande.

Pour mettre la pompe en marche et les lumières chromatiques, appuyez sur le bouton de Marche/Arrêt.

Pour réchauffer l'eau, quand le Baignoire à Débordement est en circulation, mettez le chauffe-eau en marche en pressant sur l'icône (par défaut le chauffage et toujours en position "Arrêt" quand la pompe est à l'arrêt) Appuyez sur l'icône du chauffage une deuxième fois pour l'arrêter. Le chauffage ne marchera pas si la pompe est arrêtée. Si le chauffe-eau est en marche, l'interrupteur deviendra vert. Si le chauffe-eau est en arrêt, l'interrupteur deviendra jaune-vert.

Pour démarrer le cycle du spectre des couleurs (mode rotatif) appuyez sur l'icône des lumières chromatiques.

Pour choisir une couleur, appuyez sur l'icône du bouton des couleurs chromatiques.



12. Finir le mur ou le plancher

AVIS : Faire en sorte qu'il soit toujours possible d'accéder à la pompe, chauffe-eau, pieds réglables et boîtier de commande. Prévoir un panneau d'accès avec suffisamment de dégagement pour l'entretien de la pompe, le chauffe-eau et le boîtier de commande.

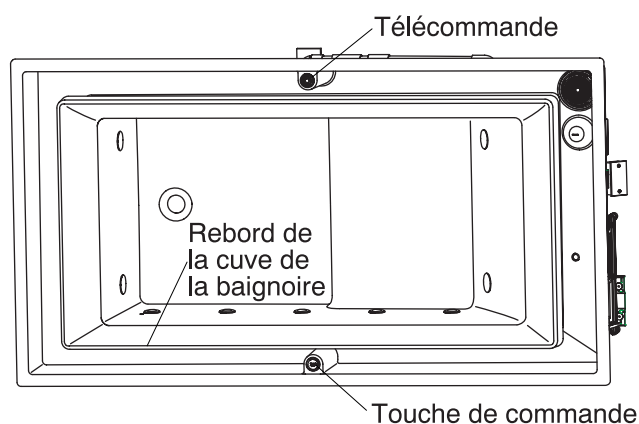
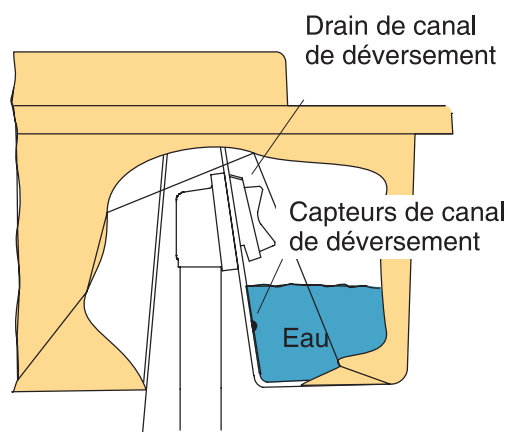
- Protéger les montants. Recouvrir le cadre avec du matériau résistant à l'eau.
- Laissez l'air du canal de Débordement exposé pour permettre l'accès au trop-plein de drain et le nettoyage facile des surfaces du canal.
- Fixez les joints entre le rebord de la baignoire et le matériau du mur ou du cadre à l'aide de mastic ou de silicone.
- Appliquez le matériau hydrofuge au mur.
- Installez le mur fini sur un matériau résistant à l'eau.
- Scellés les joints entre le bord du cadre et le mur fini à l'aide de mastic ou de silicone.

13. Installez la garniture de robinet

- Installez la rosace suivant la notice d'installation.

14. Le nettoyage après l'installation

- Après l'installation, **ne pas utiliser d'abrasifs** ; ces produits égratignent et abîment la surface de la baignoire. Nettoyez la surface avec un savon doux et de l'eau tiède.
- Les taches rebelles, la peinture ou le goudron peuvent être nettoyés avec un diluant pour peintures. **Ne pas laisser longtemps des produits à base de pétrole sur la surface de la baignoire.** Les résidus de plâtre peuvent être nettoyés avec une petite baguette en bois. Ne pas utiliser des grattoirs en métal, des brosses en fil de fer ou d'autres outils en métal. Il est possible d'utiliser des nettoyeurs en poudre sur un linge mouillé pour une action abrasive douce.



15. Utilisation de la Baignoire à Débordement

Remplir la baignoire déversante

REMARQUE : Veuillez lire avec attention cette section avant de faire fonctionner la Baignoire à Débordement.

- Assurez-vous que la grille d'aspiration métallique soit propre et correctement placée sur le couvercle d'aspiration en plastique.

REMARQUE : Si la température de la baignoire excède 104° F (40° C), le chauffe-eau ne fonctionnera pas.

IMPORTANT ! Comme dans toutes les baignoires et afin d'éviter de faire déborder l'eau, rentrez-y et sortez-en doucement. Cela permettra au système d'évacuer correctement tout excès d'eau.

- Remplir l'unité de façon à ce que l'eau s'écoule dans le canal de déversement vers le drain. Les capteurs du canal doivent être complètement immergés.
- Pour vous indiquer que la baignoire est prête à son utilisation, la lumière verte de l'interrupteur de la pompe clignotera automatiquement 30 secondes, après que les capteurs soient immergés.

Séquence de fonctionnement

- Appuyez sur l'interrupteur de la commande pour activer le moteur de la pompe et commencer l'opération.
- Quand le moteur de la pompe s'active et l'eau commence à couler, la lumière du voyant de la pompe deviendra verte foncée, et le restera pendant tout le fonctionnement de la Baignoire à Débordement.
- S'assurer que la lampe témoin du chauffe-eau soit allumée pendant le fonctionnement de la Baignoire à Débordement. La lampe témoin est située sous le boîtier de chauffe-eau, du côté de la pompe. Si la lampe est éteinte pendant le fonctionnement de la Baignoire à Débordement, pousser le bouton de remise en circuit du GFCI/ELCB.
- Appuyez sur l'interrupteur de la pompe une deuxième fois pour arrêter la Baignoire à Débordement. La lumière verte de l'interrupteur de la pompe clignotera automatiquement (pendant 30 secondes) jusqu'à ce que la Baignoire à Débordement se vide sous les capteurs ou soit redémarrée.

REMARQUE : Une minuterie intégrée arrêtera automatiquement la baignoire après environ 20 minutes de fonctionnement.

- Appuyez sur l'interrupteur de la pompe une deuxième fois pour activer et commencer l'opération.

16. Fonctionnement des lumières chromatiques

REMARQUE : Ces directions sont uniquement faites pour le tableau de control. Pour plus d'information, reportez-vous à la section "Essai de la télécommande."

Si les lumières chromatiques sont éteintes, appuyez sur le bouton du tableau de commande (situé à l'opposé de la Baignoire à Débordement). Les lumières chromatiques commenceront le cycle du spectre lumineux, (mode rotatif).

Quand les lumières chromatiques immergées sont en "mode rotatif" vous pouvez choisir une couleur en pressant le bouton de control.

Quand une couleur est choisie, pressez le bouton pour recommencer la rotation.

17. Procédures de Dépannages

Tableau de Dépannage

Pour une réparation sous garantie, contactez votre distributeur ou votre détaillant. Ce Guide de Dépannage est destiné pour une aide générale seulement. Un Technicien autorisé de KOHLER ou un Électricien QUALIFIÉ devraient réparer tout problème électrique. Pour une réparation sous garantie, contactez votre distributeur ou votre détaillant.

Symptômes	Cause Probable	Action Recommandée
1. La lumière verte de l'interrupteur "On/Off" s'active avant que la cuve de la baignoire soit pleine d'eau.	<p>A. Le bec verse l'eau directement dans le canal de déversement.</p> <p>B. Une ou plus vannes papillon ne marchent pas.</p> <p>C. La commande ne fonctionne pas.</p>	<p>A. Régler/réinstaller le bec pour que l'eau tombe directement dans la cuve de bain. Contacter l'installateur ou le concessionnaire.</p> <p>B. Vérifiez le câblage des vannes papillon ou remplacez les vannes papillon. Contactez l'installateur ou le concessionnaire.</p> <p>C. Vérifier le câblage ou remplacer la commande. Contacter l'installateur ou le concessionnaire.</p>
2. L'unité ne s'active pas.	<p>A. L'alimentation est interrompue à l'unité.</p> <p>B. L'eau ne couvre pas les capteurs de canal de déversement.</p> <p>C. L'interrupteur "On/Off" ne s'allume pas quand l'unité est activée ou remplie tel que requis.</p> <p>D. Le moteur de pompe ne fonctionne pas.</p> <p>E. La commande ne fonctionne pas.</p>	<p>A. Brancher le courant à l'unité ou corriger la perte de courant. Contacter l'installateur ou le concessionnaire.</p> <p>B. Remplir la cuve pour que l'eau déborde sur le rebord vers le canal de déversement, jusqu'à immerger les capteurs. Le niveau de remplissage conseillé est jusqu'au trop-plein du drain.</p> <p>C. Vérifier le câblage ou remplacer la commande. Contacter l'installateur ou le concessionnaire.</p> <p>D. Réinstaller ou remplacer la pompe/moteur. Contacter l'installateur ou le concessionnaire.</p> <p>E. Vérifier le câblage ou remplacer la commande. Contacter l'installateur ou le concessionnaire.</p>
3. L'eau ne tombe pas en cascade de façon égale sur le rebord de baignoire.	<p>A. L'unité n'est pas de niveau.</p> <p>B. Les orifices du bassin sont bouchés.</p> <p>C. La crépine d'aspiration métallique est bloquée.</p>	<p>A. Mettre l'unité de niveau avec la clé fournie, en pivotant les pieds réglables.</p> <p>B. Dégager ce qui bouchés.</p> <p>C. Nettoyer la grille d'aspiration métallique.</p>

Procédures de Dépannages (cont.)

Symptômes	Cause Probable	Action Recommandée
4. L'unité s'arrête automatiquement avant 18 minutes.	<p>A. Le GFCI se déclenche.</p> <p>B. Le moteur est surchauffé et le disjoncteur est activé.</p> <p>C. Le niveau descend au-dessous les capteurs du canal de déversement pendant le fonctionnement. (Le voyant "jaune" de la pompe clignotera)</p>	<p>A. Identifier la source du problème puis y remédier. Contacter l'installateur ou le concessionnaire.</p> <p>B. Vérifier si la prise d'air du moteur n'est pas bouché. Laisser refroidir le moteur, puis éliminer l'obstruction. S'assurer que la grille d'aspiration métallique ne soit pas bloquée, puis laisser refroidir avant de relancer le moteur. Vérifier qu'il n'y ait pas d'obstruction dans les orifices du bassin. Retirez ce qui bouche, puis laissez refroidir le moteur.</p> <p>C. Remplir la cuve pour que l'eau déborde sur le rebord vers le canal de déversement, jusqu'à submerger les capteurs du niveau repère. Le niveau de remplissage conseillé est jusqu'au trop-plein de drain. S'assurer que le drain de baignoire soit bien scellé.</p>
5. Le fonctionnement est bruyant.	<p>A. La grille d'aspiration métallique n'est pas à sa place sur le couvercle d'aspiration.</p> <p>B. Le niveau d'eau est insuffisant dans le canal de déversement.</p> <p>C. Le moteur de pompe est bruyant.</p>	<p>A. Positionner la grille d'aspiration métallique sur le couvercle d'aspiration plastique.</p> <p>B. Remplir la cuve pour que l'eau déborde sur le rebord vers le canal de déversement, jusqu'à submerger les capteurs. Le niveau de remplissage conseillé est jusqu'au trop-plein de drain. S'assurer que le drain de baignoire soit bien scellé.</p> <p>C. Assurez-vous que les sangles qui retiennent la pompe/moteur ont été sectionnés.</p>
6. La température de l'eau s'abaisse considérablement dans les 20 minutes de fonctionnement.	<p>A. L'interrupteur de la chaleur maximum c'est déclenchée. La lumière indicatrice "On" devrait être allumée pendant le fonctionnement.</p> <p>B. Le chauffe-eau ne fonctionne pas.</p>	<p>A. Réinitialisez le GFCI/ELCB.</p> <p>B. Vérifier le câblage ou remplacer le chauffe-eau. Contacter l'installateur ou le concessionnaire.</p>

Procédures de Dépannages (cont.)

Symptômes	Cause Probable	Action Recommandée
7. Les lumières chromathérapeutiques ne fonctionnent pas.	<p>A. Câblage endommagé.</p> <p>B. Le control ne fonctionne pas.</p>	<p>A. Vérifier le câblage ou remplacer le control. Contacter l'installateur ou le concessionnaire.</p> <p>B. Remplacez le câblage électrique. Contacter l'installateur ou le concessionnaire.</p>
8. La télécommande ne fonctionne pas.	<p>A. Les piles sont mal installées ou épuisées</p> <p>B. Le control ne fonctionne pas.</p> <p>C. La télécommande n'est pas programmée correctement.</p> <p>D. Bad télécommande.</p> <p>E. Mauvais controle.</p>	<p>A. Remplacez les piles.</p> <p>B. Remplacez le câblage électrique. Contacter l'installateur ou le concessionnaire.</p> <p>C. Voyez le guide d'utilisation ou le manuel de service.</p> <p>D. Remplacez la télécommande.</p> <p>E. Remplacez le control.</p>
9. L'eau n'atteint pas le rebord de la baignoire pendant le remplissage.	<p>A. Pas de courant électrique.</p> <p>B. Câble débranchés capteur de niveau.</p> <p>C. Les valves papillons sont endommagées.</p> <p>D. Mauvais control.</p>	<p>A. Démarrez l'unité</p> <p>B. Vérifiez/reconnectez les câbles.</p> <p>C. Vérifiez le câblage ou remplacez les vannes papillons si nécessaire.</p> <p>D. Remplacez le control.</p>

Guía de Instalación

Bañera rebosante

Información importante



ADVERTENCIA: Al usar productos eléctricos, siga siempre las precauciones básicas, incluyendo las siguientes:



PELIGRO: Riesgo de descarga eléctrica. Conecte la unidad solamente a un circuito protegido por un interruptor de circuito accionado por corriente de pérdida a tierra (GFCI).



ADVERTENCIA: Riesgo de descarga eléctrica. Las conexiones eléctricas deben ser realizadas por un electricista calificado.



ADVERTENCIA: Riesgo de descarga eléctrica. Desconecte el suministro eléctrico antes de dar servicio a esta unidad.



ADVERTENCIA: Riesgo de lesiones personales o daños a la propiedad. Por favor, lea atentamente todas las instrucciones antes de comenzar la instalación, incluyendo los requisitos detallados a continuación.

AVISO: Cumpla con todos los códigos locales de electricidad y de plomería.

Instale la unidad de manera que permita el acceso para el mantenimiento.

Se ha incluido un cable conductor verde con raya amarilla en el compartimento de cables. Para reducir el riesgo de descarga eléctrica, conecte el cable al terminal de tierra de su servicio eléctrico o panel de suministro con un cable de cobre del mismo tamaño que el conductor del circuito que alimenta este equipo.

En la parte exterior de la bomba o control de esta unidad, se incluye un conector de presión para permitir la conexión de un conductor sólido de cobre entre esta unidad y cualquier metal expuesto en las proximidades de la unidad, tal como lo requieren las normas locales.

Es necesario realizar la conexión a tierra. Esta unidad debe ser instalada y conectada a tierra por un representante de servicio autorizado.

El material de construcción y el cableado se deben trazar lejos del cuerpo de la bomba y de otros componentes conductores de calor de la unidad.

Información sobre el producto

Advertencias



ADVERTENCIA: Modificaciones no autorizadas pueden causar el funcionamiento peligroso y el bajo rendimiento de la bañera rebosante. No cambie la ubicación de la bomba, ni haga otras modificaciones al sistema, pues esto podría tener un efecto adverso en el rendimiento y en el funcionamiento seguro de la bañera rebosante. Kohler Co. no se hace responsable bajo esta garantía o de ninguna otra forma, por lesiones personales o daños provocados por modificaciones no autorizadas.

Inspección del producto

Desempaque el producto con cuidado y verifique su buen estado. Para evitar daños durante la construcción, vuelva a colocar la unidad en su empaque.

AVISO: Verifique que las conexiones de unión a la bomba, y a las válvulas de mariposa estén bien apretadas. No apriete en exceso.

Información sobre el producto (cont.)

Componentes Montados en Fábrica

Los componentes instalados en fábrica incluyen la bomba, los sensores de nivel, el calentador, las luces sumergidas de cromaterapia (opcional), el panel de control y el interruptor. La bomba y las tuberías están montadas en fábrica.

Conexiones y Acceso de Mantenimiento

AVISO: Proporcione acceso sin restricciones para el mantenimiento de la bomba y el calentador.

Suministre acceso sin restricciones para el mantenimiento de la bomba, el calentador, las patas ajustables y la caja de control. Se debe construir un panel de acceso que proporcione suficiente espacio para el mantenimiento de la bomba, del calentador y de la caja de control. El panel de acceso debe colocarse junto a la bomba y el calentador. Revise la información de instalación.

Requisitos eléctricos

La instalación debe incluir dos interruptores de circuito accionados por corriente de pérdida a tierra (GFCI) de Clase A. El GFCI protege contra una posible descarga eléctrica. Dedique un circuito de 240V, 20A, 50/60 Hz para el control de la bomba. Utilice un circuito distinto de 240 V, 20A, 50/60 Hz para el calentador.

El compartimento de cables incluye un terminal a tierra para el equipo. Para reducir el riesgo de descarga eléctrica, se debe conectar el terminal a tierra en el panel de suministro eléctrico, con un conductor del mismo tamaño que los conductores del circuito que alimentan este equipo.

Instale la unidad conforme al Código Eléctrico de Canadá, Parte I.

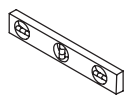
Gracias por elegir los productos de Kohler

Apreciamos su elección por la calidad de Kohler. Por favor, tome unos minutos para leer este manual, antes de comenzar la instalación. En caso de problemas de instalación o de funcionamiento, no dude en contactarnos. Nuestros números de teléfono y nuestra página web se encuentran en la solapa posterior. Gracias nuevamente por escoger a Kohler.

Herramientas y materiales sugeridos



Sellador de silicona



Nivel de 4' (1,2m)



Cinta métrica



Anteojos de seguridad



Lápiz

Herramientas y materiales convencionales para trabajar la madera

Trapo o plástico protector

Listones de 2x4 o 2x6

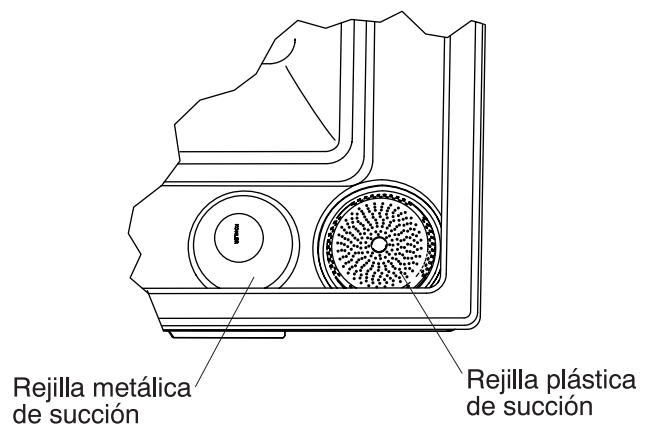
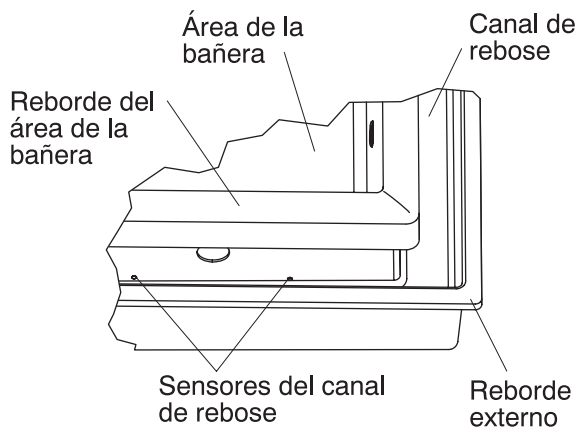
Introducción

Lea estas instrucciones atentamente para familiarizarse con las herramientas requeridas, los materiales y la secuencia de instalación. Siga las secciones correspondientes a su instalación particular. Esto le ayudará a evitar errores costosos. Para una buena instalación, lea todas las instrucciones de funcionamiento y de seguridad.

Toda la información contenida en las instrucciones está basada en la información más reciente disponible al momento de su publicación. En Kohler, nos esforzamos constantemente por mejorar nuestros productos. Por ello, Kohler se reserva el derecho de modificar las características del producto, empaque o disponibilidad en cualquier momento, sin previo aviso.

Antes de Comenzar

- La bañera rebosante está diseñada para instalaciones empotradas aisladas. También es posible realizar instalaciones debajo de cubiertas o en espacios huecos.
- La bañera rebosante debe instalarse sobre un subpiso de suficiente soporte y nivelado que permita la nivelación adecuada durante la instalación.
- Facilite una estructura que tenga las medidas apropiadas.
- Elija un surtidor de suficiente alcance que deje un espacio de al menos 2" (5cm) por encima del reborde de la bañera rebosante. Puede que necesite elevar el material de la cubierta para obtener suficiente espacio, pues dependiendo del área específica de la unidad, el reborde exterior es en ocasiones más bajo que el reborde de la bañera rebosante .
- Cumpla con todos los códigos locales de plomería.
- La bañera rebosante se debe llenar con agua procedente del área de la bañera y no del canal de rebose.
- Si desea instalar una ducha de mano sobre la cubierta, la válvula rompedor de desviación debe tener como mínimo 1" (2,5cm) de separación por encima del reborde exterior.
- Al utilizar el surtidor de flujo laminar de bañera K-922 o K-923 con la bandeja de goteo K-924, la distancia desde la pared acabada hasta la pared exterior del canal de rebose no debe exceder los 2" (5cm).



Lista de términos nuevos

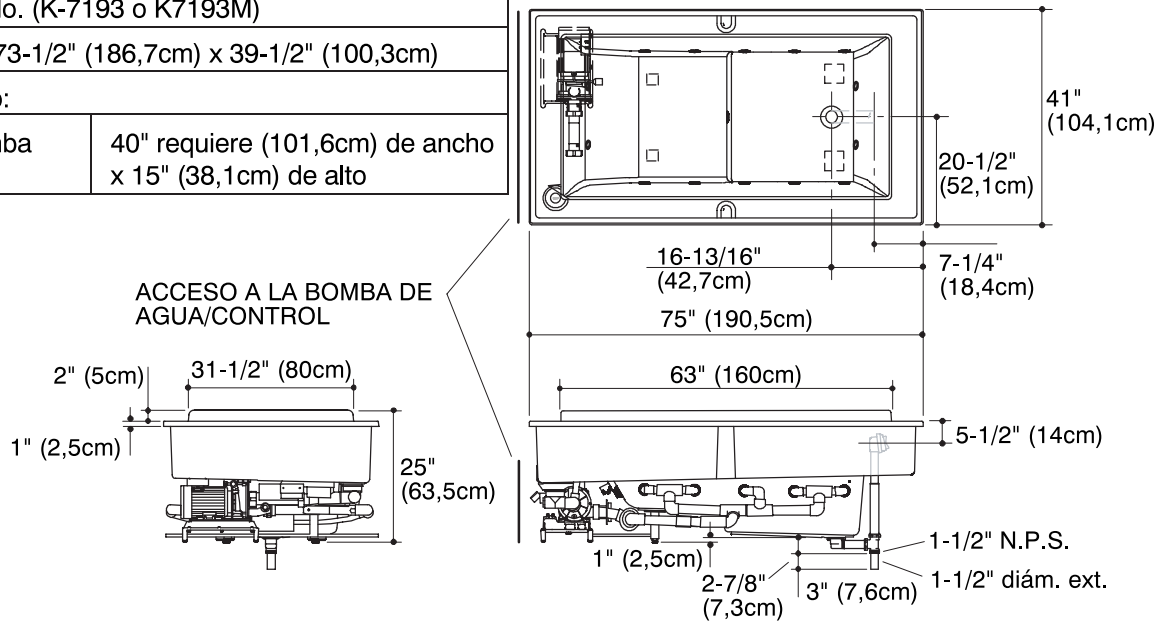
- **Área de la bañera**-Parte profunda de la bañera rebotante empleada por el usuario.
- **Reborde del área de la bañera**-Reborde alto entre el área de la bañera y el canal de rebose. El agua caerá de manera uniforme sobre el reborde de bañera y en el canal de rebose durante el funcionamiento de la unidad.
- **Cavitación**-Proceso por el que el aire entra en la bomba en vez de agua, hasta ocasionar el deterioro o la incapacidad de la bomba para que circule el agua.
- **Panel de control de cromaterapia** - Enciende y apaga las luces de cromaterapia (en los modelos así equipados).
- **Luces de cromaterapia**- Luces incluidas en la piletta de la bañera rebotante (en los modelos así equipados) para una experiencia de baño más placentera.
- **Calentador** - Diseñado para ayudar a mantener automáticamente la temperatura del agua a 104°F (40°C) y así aumentar el placer de la experiencia del hidromasaje. El calentador se enciende automáticamente cuando la bañera de hidromasaje está en marcha y se detiene cuando el motor de la bomba se apaga.
- **Control principal** - Esta unidad se encuentra debajo de la bomba. El control principal es el "cerebro" del sistema, interpreta todas las señales que entran y salen.
- **Rejilla de succión metálica** - Rejilla extraíble metálica situada sobre la tapa de succión en el canal de rebose. La rejilla de succión debe estar siempre limpia y colocada en su lugar durante el funcionamiento de la bañera rebotante, para prevenir que los desechos tengan acceso al puerto de entrada, y evitar así la cavitación y el funcionamiento mediocre.
- **Reborde externo**-Reborde a lo largo de la parte exterior de la bañera rebotante .
- **Canal de rebose**- Canal de recolección de agua que circunda el área de la bañera. Durante el funcionamiento normal los canales de rebose recogen el agua que se desborda del área de la bañera y la canaliza a las tuberías para su re-circulación.
- **Sensores del canal de rebose**- Dos medidores metálicos situados en la pared del canal de rebose, debajo de la tapa del drenaje. Estos sensores previenen la activación de la bomba cuando no haya suficiente agua disponible, y detendrán la bomba automáticamente si el nivel de agua desciende por debajo de ellos. La bomba funcionará únicamente cuando ambos sensores estén completamente sumergidos.
- **El interruptor de control de la bomba** - Enciende y apaga la bomba.
- **Tapa plástica de succión**- Protección plástica conectada al puerto de entrada de agua en el canal de rebose. La tapa de succión debe estar siempre instalada durante el uso del producto, para la seguridad del usuario.
- **La bomba** - La bomba hace circular el agua.
- **Arnés de cables** - El arnés de cables conecta todos los componentes periféricos (las válvulas, la bomba, el calentador, los interruptores, las luces) al control principal.

No es necesario cambiar las medidas si se conecta con el drenaje ilustrado. (K-7193 o K7193M)

Plantilla	73-1/2" (186,7cm) x 39-1/2" (100,3cm)
-----------	---------------------------------------

Acceso mínimo:

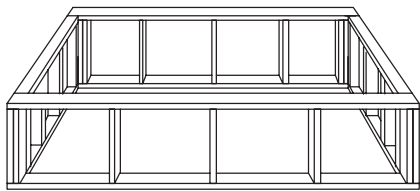
Control de bomba	40" requiere (101,6cm) de ancho x 15" (38,1cm) de alto
------------------	--



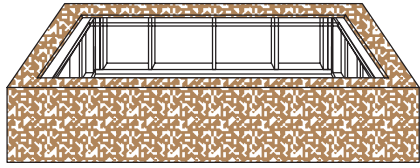
1. Diagrama de instalación

AVISO: La superficie debajo de la bañera de hidromasaje debe soportar como mínimo 2000 lbs. (907,2kg).

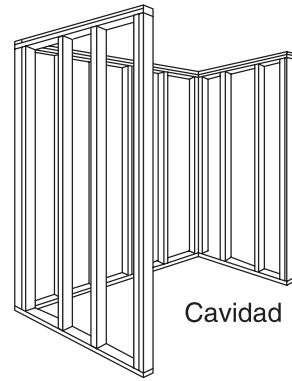
- Se necesitan dos circuitos distintos de 240 V: uno para el control/bomba, y otro para el calentador.
 - Antes de instalar un surtidor sobre la cubierta de la grifería, consulte los requisitos mínimos de separación en los códigos locales y nacionales.
 - La bañera rebosante debe llenarse con agua procedente del área de la bañera.
 - El suministro de agua caliente debe llegar al 70% de la capacidad o más.
 - El aparato cumple con la norma Z124.1 del ANSI. Todas las dimensiones son nominales.
 - Si se conecta al drenaje ilustrado (K-7193, K-7193M), las medidas son las mismas.
 - Abertura = 73-1/2" (186,7cm) x 39-1/2" (100,3cm).
 - Se requiere un panel de acceso. Las dimensiones sugeridas para el panel de acceso son de 40" (101,6cm) de ancho x 15" (38,1cm) de alto. Consulte el diagrama de instalación para encontrar la ubicaciones del panel de acceso recomendadas.
 - Verifique que el piso esté en buenas condiciones y que ofrezca el soporte adecuado para la bañera.
- ¡IMPORTANTE!** Verifique que el subpiso esté llano y nivelado. Esto ayudará a reducir los ajustes de nivelación necesarios para el buen funcionamiento del producto.



Cubierta



Sobre podio

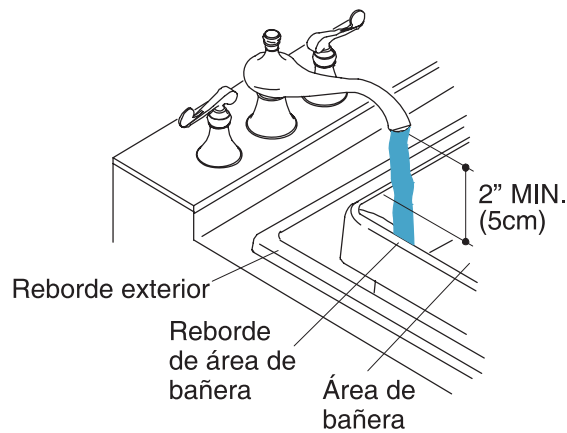


Cavidad

2. Construya la estructura de travesaños

AVISO: Proporcione acceso sin restricciones para el mantenimiento de la bomba, el calentador, las patas ajustables y la caja de control. Es necesario construir un panel de acceso que proporcione suficiente espacio para el mantenimiento de la bomba, del calentador y de la caja de control.

- Construya una estructura de travesaños para su instalación en particular. La bañera rebosante puede instalarse sobre la cubierta, sobre podio o en cavidades.
- Encuadre el piso o construya una estructura para una instalación elevada, conforme a la información contenida en el diagrama de instalación.
- Cuando se construya la estructura, tome en cuenta el grosor del piso y los materiales para la cubierta acabada.
- La estructura debe estar compuesta de listones de 2x4.
- Para instalaciones debajo de la cubierta, tome en cuenta el grosor del material de la cubierta y suministre el soporte adecuado. No apoye la bañera por los bordes.
- Al planificar la estructura de los travesaños, considere el espacio de 2" (5cm) necesario entre el extremo del surtidor de llenado y la parte superior del reborde del área de la bañera. Tome en cuenta el grosor del material de la cubierta acabada y construya la estructura y el material de la cubierta considerando esta separación mínima.



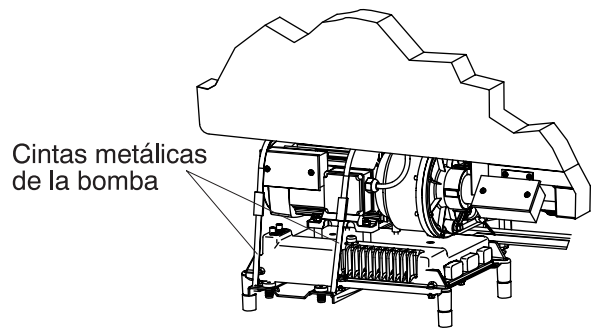
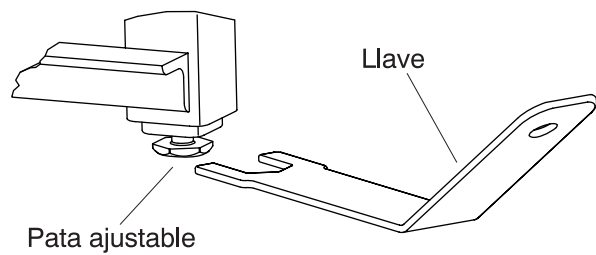
3. Instale la plomería básica

¡IMPORTANTE! Elija un surtidor que deje un espacio de al menos 2" (5cm) por encima del reborde de la bañera rebosante. Si desea instalar una ducha de mano sobre la cubierta, la válvula rompedora de desviación debe tener como mínimo 1" (2,5cm) de separación por encima del reborde exterior de la unidad.

- Realice el tendido de la plomería. Coloque el suministro del surtidor de llenado de manera que el surtidor sobresalga del reborde externo y del reborde del área de la bañera. **El agua del surtidor de llenado debe dirigirse al área de la bañera para llenar la unidad.** La bañera rebosante no debe llenarse nunca con agua vertida directamente del canal de rebose.
- Cierre los suministros y verifique que no haya fugas.

4. Preparación de la unidad

- Levante con cuidado la bañera rebosante y sáquela de su empaque.
- Identifique la caja ubicada dentro del canal de rebose. Esta caja contiene la rejilla de la tapa de succión, la cual debe guardarse para ser empleada con este producto.
- Instale el drenaje según las instrucciones del fabricante. No conecte el sifón en este momento.
- Coloque un trapo limpio o un material similar en el fondo de la unidad. Tenga cuidado de no rayar la superficie de la bañera.



5. Coloque la unidad

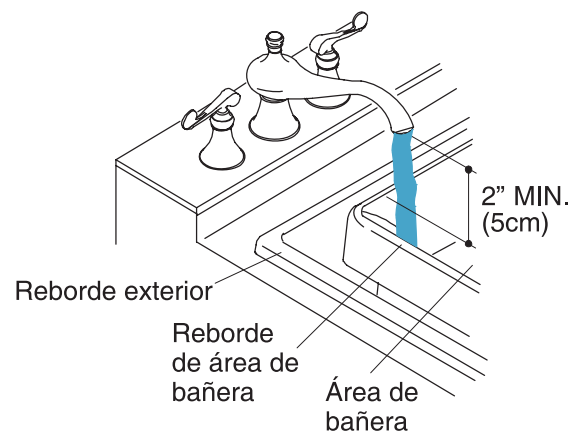
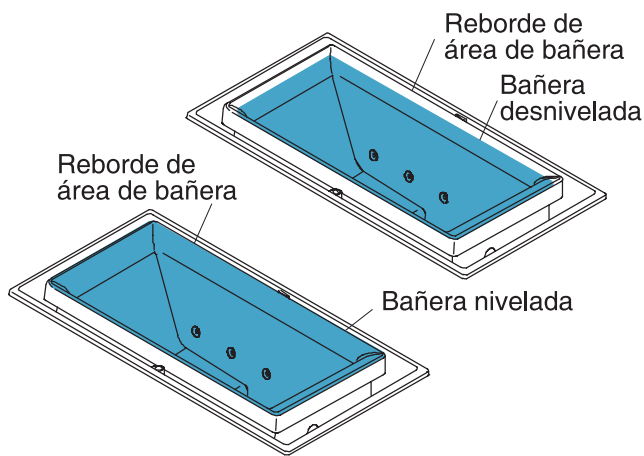
⚠ PRECAUCIÓN: Riesgo de daños al producto. No levante o apoye la bañera rebosante por la bomba o la tubería.

NOTA: No utilice adhesivo o cemento para fijar este producto al subpiso.

- Con ayuda, coloque con cuidado la bañera en su lugar.

NOTA: En caso de no poseer un nivel de 4' (1,2m), prosiga a la siguiente sección.

- Para nivelar, rote las patas ajustables con la llave de 7/8" contenida en el arnés junto a la bomba. Verifique que las cuatro patas ajustables descansen directamente sobre el subpiso, y revise que el área de la bañera esté nivelada a 1/8" (3mm) en todas las direcciones.
- Una vez nivelada la unidad, ajuste las patas de nivelación ubicadas debajo de la bomba. Gire las patas hasta que se apoyen directamente en el piso. De ser posible, utilice un nivel de 4' (1,2m). Si toma el tiempo necesario para nivelar la bañera rebosante en este momento, evitará tener que realizar mayores ajustes posteriormente.
- Corte y deseche las cintas metálicas de la bomba.
- Asegúrese de que las patas de goma estén en su lugar.
- Inserte la pieza posterior del drenaje en el sifón.



6. Nivelar la bañera rebosante (sin nivel)

AVISO: Para realizar el siguiente procedimiento de nivelación no es necesario tener suministro eléctrico.

- Inserte el tubo vertical del drenaje en el sifón y conecte el drenaje al sifón conforme a las instrucciones del fabricante.
- Cierre el drenaje y tapone la tapa de succión temporalmente para que esté hermética.
- Con una manguera, llene el área de la bañera hasta el reborde.
- Observe el nivel de agua en relación al reborde del área de la bañera, y con la llave incluida, rote las patas ajustables hasta obtener un nivel de agua uniforme en cada una de las cuatro esquinas.
- Abra el drenaje y destapone la tapa de succión para vaciar la bañera.

¡IMPORTANTE! Permita acceso suficiente a las cuatro patas ajustables hasta después de haber probado la bañera rebosante.

7. Instale la plomería



PRECAUCIÓN: Riesgo de daños a la propiedad. Verifique que no haya fugas en ninguna conexión del drenaje.

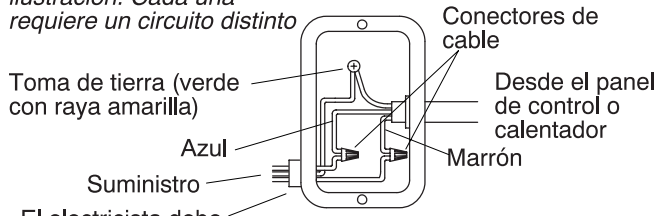
¡IMPORTANTE! Elija un surtidor que deje suficiente espacio por encima del reborde del área de la bañera rebosante. Puede que se deba elevar el material de la cubierta para obtener suficiente espacio, pues el reborde exterior es en ocasiones más bajo que el reborde de la bañera. Si desea instalar una ducha de mano sobre la cubierta, la válvula rompedora de desviación debe tener como mínimo 1" (2,5cm) de separación por encima del reborde exterior de la unidad.

NOTA: Un panel de acceso simplificará el mantenimiento futuro.

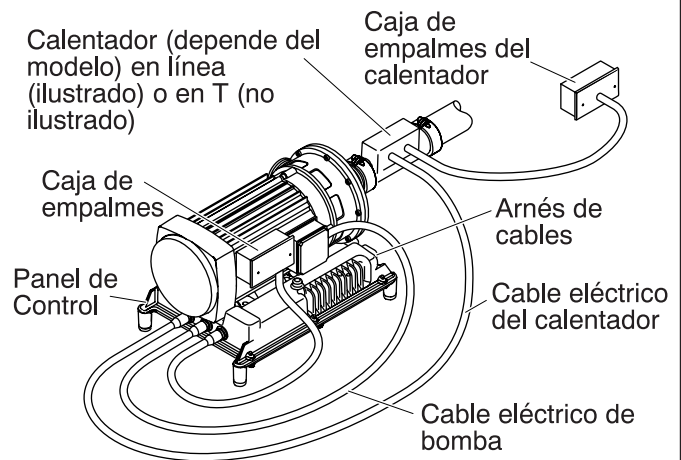
- Si aún no lo ha hecho, conecte el drenaje al sifón siguiendo las instrucciones del fabricante.
- Instale la grifería según las instrucciones del fabricante. No instale la guarnición de la grifería hasta que se le indique.
- Verifique que todas las válvulas de mariposa y las conexiones del suministro estén bien apretadas.
- Abra las válvulas del agua caliente y fría, y verifique que no haya fugas en las conexiones del suministro.
- Deje que el agua corra en el área de la bañera, y verifique que no haya fugas en las conexiones del desagüe.

El cableado de las dos cajas de empalmes se debe realizar como lo muestra la ilustración. Cada una requiere un circuito distinto

Conecte conforme a los códigos nacionales y locales.



	60 Hz	50 Hz	Desde el panel de control o calentador
L1	L1		Marrón
L2		N	Azul



8. Realice las conexiones eléctricas

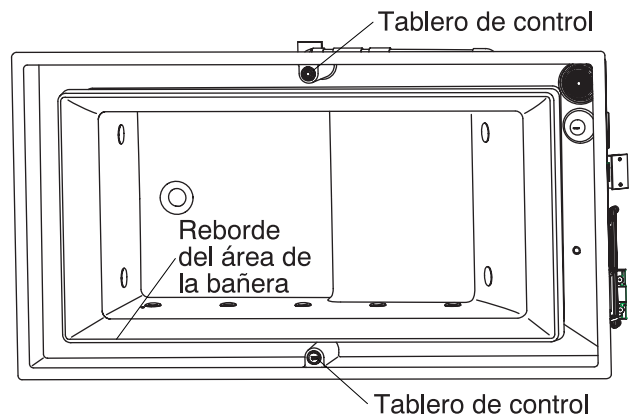
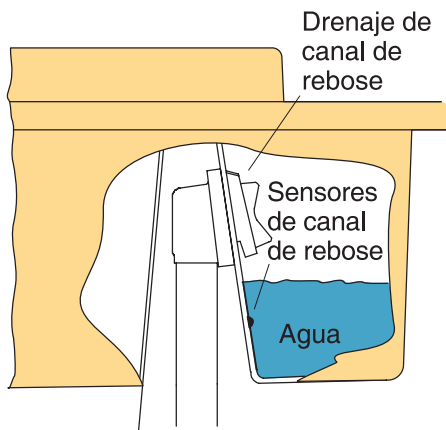
NOTA: El número de modelo de la bañera de hidromasaje está impreso en una etiqueta cerca de la bomba. Esta etiqueta identifica la clasificación nominal eléctrica del producto. **Todas las bañeras de hidromasaje están equipadas con una caja de empalmes y sólo funcionan a 220 V/240 V y a 50 Hz o 60 Hz.**

⚠️ ADVERTENCIA: Riesgo de descarga eléctrica. Para reducir el riesgo de descarga eléctrica, conecte la bomba a un tomacorriente correctamente conectado a tierra, protegido por un interruptor de circuito accionado por corriente de pérdida a tierra (GFCI). Esto suministra protección adicional contra posibles descargas eléctricas. Se necesita un circuito de 220/240 V, 20 A, 50/60 Hz dedicado a la bomba, y un segundo circuito de 220/240 V, 50/60 Hz, 20 dedicado al calentador.

⚠️ PRECAUCIÓN: Riesgo de descarga eléctrica. Todos los circuitos deben tener un interruptor de corriente de pérdida a tierra de Clase A para mayor protección contra descargas eléctricas. Se necesita un circuito dedicado para la bañera rebosante.

- El cableado del control y del sistema de la bañera rebosante se ha realizado en la fábrica mediante una conexión alámbrica de 220 V. Un electricista calificado debe realizar las conexiones de mantenimiento rutinarias a la caja de empalme junto a la bomba y a la caja de empalme del calentador .
- Conecte la caja de empalmes.
- Suministre diferentes conductores de tierra para la lengüeta de conexión a tierra que se encuentra en la caja de empalmes. El conductor de tierra no debe estar conectado a ningún otro conductor de corriente. Cumpla con todos los códigos eléctricos locales.
- Conecte conforme a los códigos nacionales y locales.
- Dedique un circuito de 220/240 V, 50/60 Hz, 20 A para el control de la bomba y un segundo circuito de 220/240 V, 50/60 Hz, 20 A dedicado al calentador. Para la instalación se necesita un interruptor de circuito accionado por corriente de pérdida a tierra (GFCI) de Clase A.
- Cumpla con todos los códigos eléctricos locales.

NOTA: El arnés de cables incluye una antena para el mando a distancia. No altere ni cause daños a la antena durante la instalación.



9. Pruebe el funcionamiento de la bañera rebotante

- Revise todas las conexiones eléctricas y verifique que haya suministro eléctrico en la unidad.
- Verifique que las conexiones de unión a la bomba, a las válvulas de mariposa y al calentador directo estén bien aseguradas. Verifique que el área de la bañera y el canal de rebose estén limpios y libres de depósitos minerales.
- Coloque la rejilla metálica de succión sobre la tapa plástica de succión (véase foto en la página anterior). Es posible que la bomba cavite si la rejilla metálica no está colocada en su lugar.
- Llene el área de la bañera de manera que rebose por encima del reborde y hacia el canal de rebose. Siga llenando el área de la bañera hasta que los sensores del canal de rebose estén totalmente cubiertos de agua, y que el nivel de agua alcance el rebosadero del drenaje.
- Verifique que la luz verde del interruptor de control parpadee automáticamente 30 segundos después de que los sensores del canal de rebose estén completamente sumergidos.

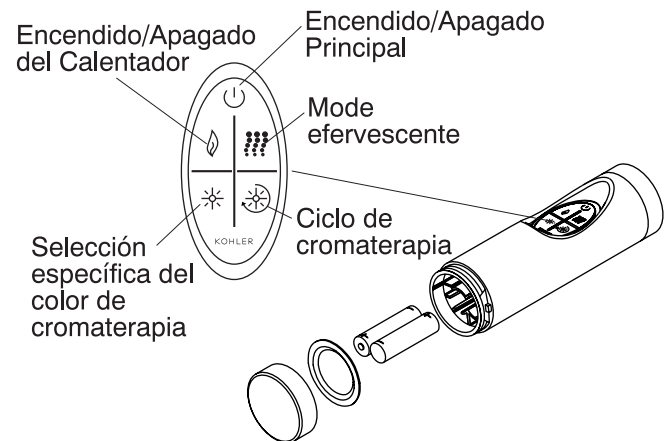
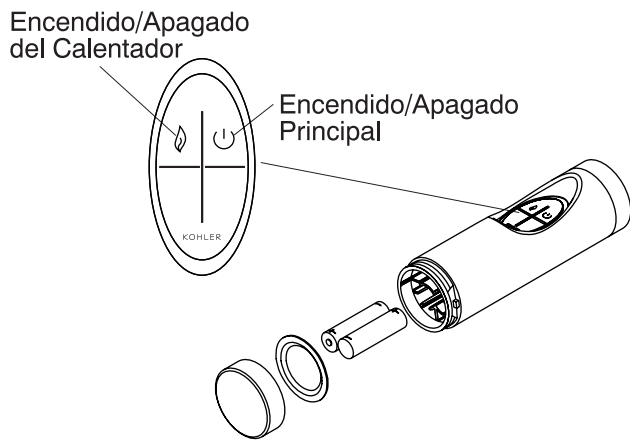
10. Pruebe el interruptor de control

- Oprima el interruptor de control para encender el motor de la bomba e iniciar el ciclo de hidroterapia. Una vez que la bomba/motor se encienda y el agua comience a circular, la luz se pondrá verde, permaneciendo encendida mientras la bañera rebotante esté en funcionamiento.
- Con la unidad en funcionamiento, verifique que no haya fugas en las conexiones de la tubería. Observe que el flujo de agua sobre el reborde de la bañera hacia el canal de rebose sea igual por los cuatro lados.
- Si el agua cae uniformemente por los cuatro lados de la bañera, no será necesario realizar mayores ajustes de nivelación.
- Si fuesen necesarios ajustes nacionales, mantenga la bañera rebotante en funcionamiento y rote las patas con la llave de 7/8" incluida. Verifique que la unidad esté nivelada y apoyada sobre todas las patas ajustables.
- Verifique que las luces de cromaterapia funcionen (cuando sea pertinente). Para encender las luces, oprima el interruptor de cromaterapia (ubicado en el extremo opuesto del interruptor principal). Al encenderse, las luces recorrerán la secuencia de colores. Oprima el interruptor de control de las luces por segunda vez. Las luces deberían detenerse y permanecer en el mismo color. Oprima el interruptor de las luces nuevamente para apagar las luces.
- Verifique una vez más que no haya fugas en las conexiones de las tuberías.
- Oprima nuevamente el interruptor de control de la bomba para apagar la bañera rebotante. La luz verde del interruptor de control de la bomba parpadeará automáticamente (tras aproximadamente 30 segundos) hasta que la bañera se drene o encienda nuevamente.

NOTA: Para más información sobre el funcionamiento de la bañera rebotante, consulte la sección "Uso de la bañera rebotante".

Pruebe el interruptor de control (cont.)

¡IMPORTANTE! Permita acceso suficiente a las patas ajustables hasta haber completado la prueba de la bañera.



11. Pruebe el mando a distancia

NOTA: Hay dos tipos de mando a distancia disponibles: uno básico y otro con controles para la cromaterapia y el hidromasaje efervescente. Determine el tipo de unidad que tiene y siga las instrucciones correspondientes.

NOTA: El mando a distancia necesita dos pilas tipo "AAA". Para instalarlas o cambiarlas solo tiene que desatornillar la base del mando.

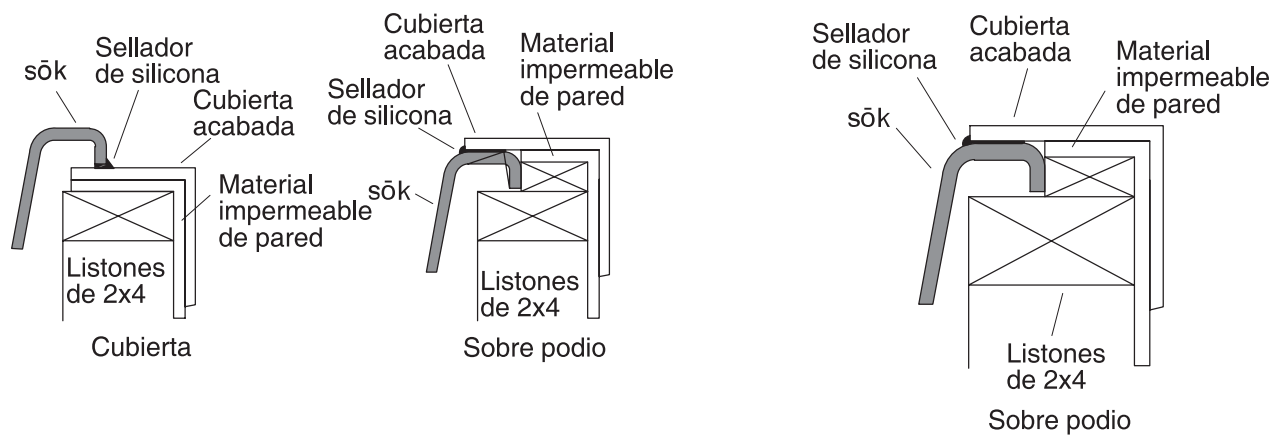
La bañera rebosante incluye un mando a distancia resistente al agua.

Oprima el botón de encendido y apagado principal para encender y apagar la bomba y las luces de cromaterapia.

Para recalentar el agua de la bañera rebosante mientras circula, oprima el icono del calentador para encenderlo (cuando la bomba está encendida el calentador se enciende por defecto). Oprima el icono del calentador de nuevo para apagarlo. El calentador no funcionará si la bomba está apagada. Si el calentador está encendido el interruptor de la bomba se iluminará en verde oscuro. Si el calentador está apagado, se iluminará en amarillo-verde.

Para hacer que las luces de cromaterapia cambien de color (ciclo de espectro de colores), oprima el icono de ciclo de cromaterapia.

Para seleccionar un color de cromaterapia en particular, oprima el icono de color de cromaterapia específico.



12. Complete la cubierta acabada o la pared

AVISO: Proporcione acceso sin restricciones para el mantenimiento de la bomba, el calentador, las patas ajustables y la caja de control. Se debe construir un panel de acceso que permita el espacio suficiente para el mantenimiento de la bomba, el calentador y la caja de control.

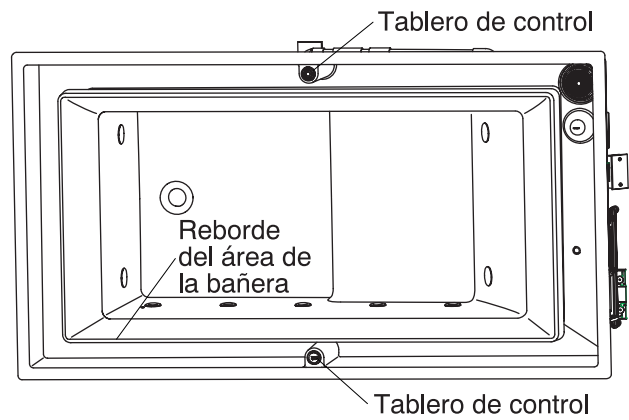
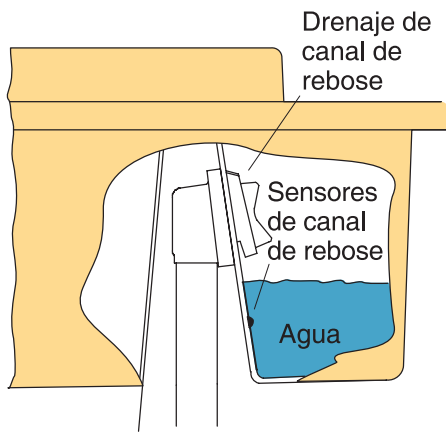
- Proteja la superficie del producto. Cubra la estructura con material impermeable.
- Mantenga el área de rebose expuesta para permitir el acceso al rebosadero del drenaje y facilitar la limpieza de dicha superficie.
- Selle las uniones entre el borde de la bañera y el material impermeable de la pared con sellador de silicona.
- Adhiera el material impermeable a la pared con cinta y yeso.
- Instale la pared acabada con el material impermeable.
- Selle las uniones entre el reborde del producto y la pared acabada con sellador de silicona.

13. Instale la guarnición de la grifería

- Instale la guarnición de la grifería según las instrucciones incluidas en el empaque.

14. Limpieza después de la instalación

- Al limpiar después de la instalación, **no utilice limpiadores abrasivos** pues pueden raspar y opacar la superficie de la bañera. Utilice agua tibia y detergente líquido para limpiar la superficie.
- Las manchas difíciles de quitar, la pintura y el alquitrán se pueden limpiar con aguarrás y diluyente de pintura. **No permita que los limpiadores que contienen destilados del petróleo permanezcan en contacto con las superficies de la bañera por largos períodos de tiempo.** El yeso se puede remover raspando con un borde de madera. No utilice raspadores de metal, cepillos de alambre ni otras herramientas metálicas. Utilice un detergente en polvo con un trapo húmedo para proporcionar una acción abrasiva suave para residuos de yeso.



15. Uso de la Bañera rebotante

Llene la bañera rebotante

NOTA: Por favor, lea atentamente estos pasos antes de activar la bañera rebotante.

- Verifique que la rejilla metálica de succión esté limpia y colocada correctamente sobre la tapa plástica de succión.

NOTA: La temperatura del agua en la bañera no debe exceder 104° F (40° C) o de lo contrario, el calentador no funcionará.

¡IMPORTANTE! Al igual que con cualquier otra bañera, entre en el baño lentamente para evitar derramar agua. Esto permitirá que el sistema drene el exceso de agua apropiadamente.

- Llene la unidad de manera que el agua llegue al canal de rebose y al drenaje. Los sensores del canal deben estar totalmente sumergidos en el agua.
- La luz verde del interruptor de la bomba empezará a parpadear automáticamente unos 30 segundos después de que los sensores del canal de rebose se hayan cubierto de agua, indicando así que la unidad está lista para funcionar.

Secuencia de funcionamiento

- Oprima el interruptor de control de la bomba para encender el motor de la bomba e iniciar el funcionamiento.
- Una vez que la bomba/motor se encienda y el agua comience a circular, la luz del interruptor de la bomba cambiará a verde y permanecerá encendida mientras la bañera rebotante esté en funcionamiento.
- Verifique que la luz indicadora del calentador esté encendida durante el funcionamiento de la unidad. Esta luz indicadora está situada debajo del cajetín del calentador y cerca del subpiso, en el extremo de la unidad con la bomba. Si la luz no se enciende cuando la bañera rebotante está en marcha, intente reiniciar el GFCI.
- Oprima nuevamente el interruptor de control de la bomba para apagar la bañera rebotante. La luz verde del interruptor de control de la bomba parpadeará automáticamente (tras aproximadamente 30 segundos) hasta que la bañera rebotante se drene por debajo de los sensores del canal de rebose o se encienda nuevamente.

NOTA: Un temporizador integrado detiene la bañera automáticamente después de 20 minutos de funcionamiento.

- Oprima de nuevo el interruptor de control de la bomba para encender el motor de la bomba e iniciar el funcionamiento.

16. Funcionamiento de las luces de cromaterapia

NOTA: Estas instrucciones se refieren solamente al uso del panel de control montado. Para más información, consulte la sección "Pruebe el Mando a Distancia".

Si las luces de cromaterapia están apagadas, oprima el botón del panel de control (situado en el extremo opuesto de la bañera rebosante). Las luces de cromaterapia empezarán a cambiar de color (modo de barrido).

Cuando las luces de cromaterapia estén en modo de barrido, puede seleccionar un color con tal de oprimir el botón de control.

Una vez seleccionado un color, oprima el botón de control para apagar las luces de cromaterapia.

17. Problemas de reparación

Tabla de problemas de reparación

Para obtener servicio, póngase en contacto con el vendedor o el distribuidor. La guía de problemas de reparación está diseñada únicamente para proporcionar ayuda general. Todos los problemas eléctricos deben ser resueltos por un representante de servicio autorizado de Kohler o un electricista calificado. Para obtener servicio, póngase en contacto con el vendedor o el distribuidor.

Síntomas	Causas Probables	Acción Sugerida
1. La luz verde del interruptor de encendido "On/Off" comienza a parpadear antes de que la bañera esté llena.	<p>A. El surtidor vierte el agua directamente en el canal de rebose.</p> <p>B. Una o ambas válvulas de mariposa no funcionan.</p> <p>C. El panel de control no funciona.</p>	<p>A. Ajuste o reinstale el surtidor para que llene directamente el área de la bañera. Consulte con el vendedor/instalador.</p> <p>B. Verifique el cableado de la válvula de mariposa o reemplácela. Consulte con el vendedor/instalador.</p> <p>C. Verifique el cableado o reemplace el panel de control. Consulte con el vendedor/instalador.</p>
2. La unidad no se enciende.	<p>A. La unidad no tiene suministro eléctrico.</p> <p>B. El agua no cubre los sensores del canal de rebose.</p> <p>C. El interruptor de control de encendido "On/Off" no se enciende o está intermitente cuando la bañera está en funcionamiento o durante el llenado.</p> <p>D. El motor/bomba no funcionan.</p> <p>E. El panel de control no funciona.</p>	<p>A. Restablezca el suministro eléctrico, o solucione el problema que ha producido la pérdida de suministro eléctrico. Consulte con el vendedor/instalador.</p> <p>B. Llene la unidad de la bañera hasta que el agua se desborde por el reborde, llegue al canal de rebose, y sumerja los sensores del canal de rebose. Se recomienda llenar hasta el nivel del rebosadero del drenaje.</p> <p>C. Verifique el cableado o reemplace el interruptor de control "On/Off". Consulte con el vendedor/instalador.</p> <p>D. Repare o reemplace el motor/bomba. Consulte con el vendedor/instalador.</p> <p>E. Verifique el cableado o reemplace el panel de control. Consulte con el vendedor/instalador.</p>
3. El agua no cae de manera uniforme desde el reborde de la bañera.	<p>A. La unidad no está nivelada.</p> <p>B. Los puertos de la bañera están obstruidos.</p>	<p>A. Nivele la unidad usando la llave incluida, para girar las patas ajustables hacia arriba o hacia abajo como sea necesario.</p> <p>B. Elimine lo que produzca el bloqueo.</p>

Problemas de reparación (cont.)

Síntomas	Causas Probables	Acción Sugerida
	C. La rejilla metálica de succión está tapada.	C. Limpie la rejilla metálica de succión.
4. La unidad se detiene automáticamente antes de 18 minutos.	<p>A. El GFCI/ELCB se ha disparado.</p> <p>B. El motor se recalentó, activando el dispositivo de protección.</p> <p>C. Durante el funcionamiento, el nivel del agua desciende por debajo de los sensores del canal de rebose (el anillo "amarillo" del interruptor de la bomba se iluminará intermitentemente).</p>	<p>A. Identifique la causa de la pérdida de suministro eléctrico y solucione el problema. Consulte con el vendedor/instalador.</p> <p>B. Verifique que las ventilaciones del motor no estén tapadas. Permita que el motor se enfríe y remueva la obstrucción. Verifique que la rejilla de succión metálica no esté tapada, y permita que el motor se enfríe antes de continuar. Verifique que no haya obstrucciones en los puertos de entrada de la bañera. Remueva la obstrucción y permita que el motor se enfríe antes de reiniciar.</p> <p>C. Llene la unidad de la bañera hasta que el agua se desborde por el reborde, llegue al canal de rebose, y sumerja los sensores del canal de rebose. Se recomienda llenar hasta el nivel del rebosadero del drenaje. Asegúrese de que el drenaje se cierre correctamente.</p>
5. Funcionamiento ruidoso.	<p>A. La rejilla metálica de succión no está colocada sobre la tapa plástica de succión.</p> <p>B. El nivel de agua en el canal de rebose es insuficiente.</p> <p>C. El motor de la bomba funciona de forma ruidosa.</p>	<p>A. Coloque la rejilla metálica de succión sobre la tapa plástica de succión para evitar la cavitación.</p> <p>B. Llene la unidad de la bañera hasta que el agua se desborde por el reborde, llegue al canal de rebose, y sumerja los sensores del canal de rebose. Se recomienda llenar hasta el nivel del rebosadero del drenaje. Asegúrese de que el drenaje se cierre correctamente.</p> <p>C. Asegúrese de cortar las cintas metálicas de la bomba/motor.</p>
6. La temperatura del agua desciende abruptamente tras el transcurso de 20 minutos de funcionamiento.	A. El disyuntor de seguridad del calentador se ha disparado. La luz del indicador debería permanecer encendida durante el funcionamiento.	A. Reinicie el GFCI/ELCB.

Problemas de reparación (cont.)

Síntomas	Causas Probables	Acción Sugerida
	B. El calentador no funciona.	B. Verifique el cableado o reemplace el calentador. Consulte con el vendedor/instalador.
7. Las luces de cromaterapia no funcionan.	A. Arnés de cables dañado B. El panel de control no funciona.	C. Verifique el cableado o reemplace el panel de control. Consulte con el vendedor/instalador. B. Reemplace el arnés de cables. Consulte con el vendedor/instalador.
B. El mando a distancia no funciona.	A. Las pilas se han instalado de manera incorrecta o están descargadas. B. El panel de control no funciona. C. El mando a distancia no se ha programado correctamente. D. Mando a distancia defectuoso. E. El panel de control está defectuoso.	A. Cambie las pilas. B. Reemplace el arnés de cables. Consulte con el vendedor/instalador. C. Consulte la guía del usuario o el manual de servicio. D. Reemplace el mando a distancia. E. Reemplace el panel de control.
9. El agua no llega al reborde de la bañera una vez llena.	A. La unidad no tiene suministro eléctrico. B. Los cables de la sonda de nivel están sueltos. C. La válvula de mariposa está defectuosa. D. El panel de control está defectuoso.	A. Encienda el suministro eléctrico. B. Verifique/reconecte los cables. C. Verifique los cables; cambie la válvula de mariposa si es necesario. D. Reemplace el panel de control.

USA: 1-800-4-KOHLER
Canada: 1-800-964-5590
México: 001-877-680-1310

kohler.com

THE BOLD LOOK
OF **KOHLER**®

©2003 Kohler Co.

1019731-2-A