

Features

- Single-speed whirlpool offers performance and value, with six fully adjustable jets
- Hydromassage flow and direction can be controlled at each jet
- Integral lumbar support and armrests offer extra comfort while bathing
- Textured bottom surface

Material

- Acrylic

Hydrotherapy

- Whirlpool

Installation

- Reversible drain
- Drop-in
- Smooth backside for easy handling and mounting of drain and overflow

Recommended Products/Accessories

- K-11677 Bath Drain
- K-1491 Bath/Whirlpool Pillow
- K-1601 Bath/whirlpool footstop, removable
- K-576 Undermount installation kit for K-1162/K-1163 baths
- K-23726 Drain treatment
- K-23732 Tub & shower cleaner
- K-31796 Above-the-floor bath drain kit
- K-31798 Bath drain kit



Codes/Standards

ASME A112.19.7/CSA B45.10
CSA B45.5/IAPMO Z124
UL 1795
IAPMO Certification
UL Listed

KOHLER® Plastic Baths and Shower Bases Lifetime Limited Warranty KOHLER® Hydrotherapy Components Five-Year Limited Warranty

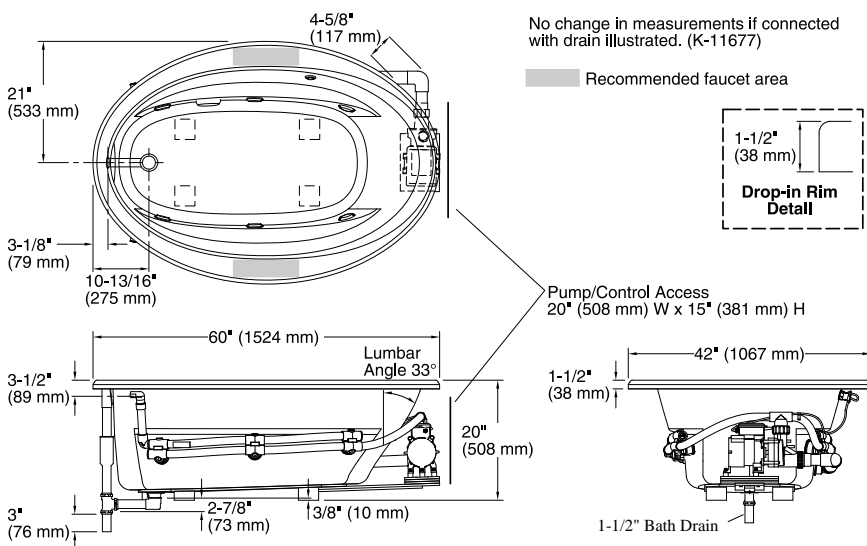
See website for detailed warranty information.

Available Colors/Finishes

Color tiles intended for reference only.

Color Code Description

	0	White
---	---	-------



Required Electrical Service

One dedicated circuit required, protected with Class A Ground-Fault Circuit-Interrupter (GFCI). Outside North America, this device may be known as a Residual Current Device (RCD).

Pump: 120 V, 15 A, 60 Hz

Technical Information

All product dimensions are nominal.

Drain location: Reversible

Basin area, bottom: 43" x 21-9/16" (1092 mm x 548 mm)

Basin area, top: 53-1/2" x 32-1/8" (1359 mm x 816 mm)

Weight: 110 lbs (49.9 kg)

Minimum floor load: 35 lbs/ft² (170.9 kg/m²)

Water depth: 15" (381 mm)

Water capacity: 57 gal (215.8 L)

Template: Drop-in, 1042556-7, required, included

Electrical component rating: Pump: 120 V, 7.5 A, 60 Hz

Pump speed: Single

Notes

Measure your actual product for rough-in details.

Install this product according to the installation instructions.

The hot water supply should be 70% of the capacity of the bath or greater. Installations will vary.

Kit is required for under-mount installations (sold separately).

The suction line extends 4-5/8" (117 mm) beyond the edge of the rim. The pump base extends 1/8" (3 mm) beyond the edge of the rim. Modify the framing as needed.